

Calculation of Initial Short-Circuit Currents in Medium Voltage Networks According to the Standard PN-EN 60909

Authors

Krzysztof Księżyk
Tomasz Zdun

Keywords

short-circuit calculations, initial short-circuit current, electrical equipment models

Abstract

Determining the short-circuit currents is usually conducted by network analyses. An important feature of this calculation is carried out according to the recommendations of the standard PN EN 60909. This paper describes the models of the basic elements of the network with the method of determining the impedance parameters including correction factors introduced by the standard. Thevenin's method connected with the nodal method are presented and used to determine the initial short-circuit for the example medium voltage network. Results are compared with the ones obtained without taking into account the correction factors.

DOI: 10.12736/issn.2300-3022.2013406

1. Introduction

Investments in power engineering infrastructure, such as the construction of new power lines and the installation of transformers or power generating units at power plants are all preceded by numerous analyses, including technical evaluations. One of such studies is the estimation of expected values of short-circuit currents. Short-circuits within networks may not be entirely eliminated; therefore, power engineering systems must be suitably prepared. This primarily means the correct selection of connecting equipment and of the cross-sections of cables and busbars. Additionally, the results of short-circuit calculations may be decisive to the introduction of factors limiting the values of short-circuit currents – e.g. selection and installation of current-limiting reactors, use of high-speed circuit-breakers which prevent the current from reaching its peak value, etc. In order to control the level of short-circuit power, short-circuit calculations should also be conducted during the on-going use of power engineering systems and when changing their network topology.

The accuracy of short-circuit calculations has a considerable impact on the safety of power engineering systems themselves as well as human safety. During a short-circuit condition, currents with an intensity several times higher than operating currents may be flowing through network elements. The circuit where the short-circuit occurred must be immediately deactivated by opening the circuit-breaker – the selection of the correct connecting equipment is of vital importance here. If the circuit-breaker's connecting capacity is insufficient, it will not be capable of suppressing the arc which may occur during the opening of the contacts. In such an

event, the equipment will become damaged and the failure may cover a larger area of the network which may result in significant losses. On the other hand, installation of circuit-breakers with rated current with breaking capacity which is much larger than expected currents is unjustified from an economic point of view.

Short-circuit calculations cover a wide range of subjects [1, 2, 3]. The most crucial element is the designation of values characteristic to the short-circuit current flow $i(t)$. In the RL circuit of alternating current which is shown in Fig. 1, after the closure at instant $t = 0$ of the connector, current $i(t)$ will flow, as described by the equation (1).

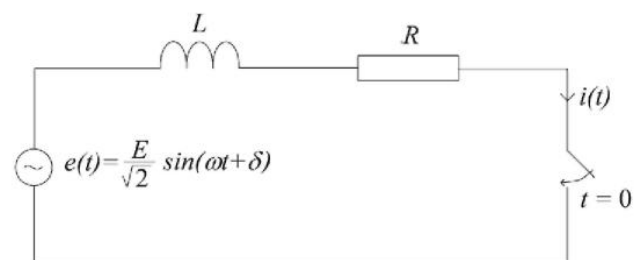


Fig. 1. RL circuit of alternating current

$$i(t) = \frac{\sqrt{2}E}{Z} \sin(\omega t + \delta - \varphi) - \frac{\sqrt{2}E}{Z} \sin(\delta - \varphi) e^{-\frac{R}{L}t}$$

$$i(t) = i_{A.C} + i_{D.C} \tag{1}$$

where: $Z = \sqrt{R^2 + (\omega L)^2}$ – module of transfer impedance of a closed circuit, $\varphi = \arctg(\omega L/R)$ – argument of transfer impedance of a circuit, E – root-mean-square of voltage source, δ – voltage angle at instance $t = 0$ of short-circuit occurrence, $\omega = 2\pi f$ – pulsation.

There may be two components identified in equation (1). The first one relates to the alternating current component i_{AC} , forced in the circuit by the voltage source. The second component is an aperiodic component of the short-circuit current i_{DC} , fading with time consonant R/L . It occurs when the current in the circuit cannot change using the step mode, so the sum of two components in the first instance of the short-circuit condition must be equal to the current before the short-circuit condition. Most frequently, before the short-circuit condition occurs, a current-free mode is assumed, so that the instantaneous value of the current at the point when the short-circuit condition occurs equals zero ($i(0^+) = i(0) = 0$). If the short-circuit condition occurs at such an instant that the condition $\delta - \varphi = \pi/2$ is fulfilled, then the direct-current component assumes the maximum initial value. Consequently, it results in the $i(t)$ assuming the largest instantaneous value. Such a situation is shown in Fig. 2. In addition, the following characteristic values are presented:

- initial short-circuit current I'_k – component rms value
- periodical short-circuit component at the first instance of the short-circuit condition
- steady-state short-circuit current I_k

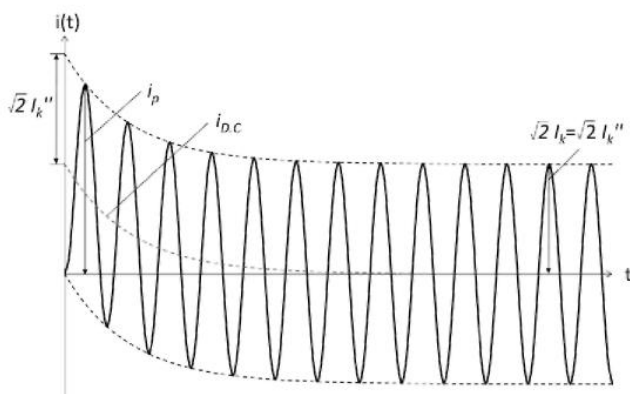


Fig. 2. Flow of the short-circuit current $i(t)$ in the RL circuit of the alternating current at a distant short-circuit condition

- peak current i_p – the largest instantaneous value of the short-circuit current
- aperiodic component of the short-circuit current i_{DC} .

During short-circuit conditions far from the generator, the initial short-circuit current values and the values of the steady-state short-circuit current are equal. However, in the event of short-circuit conditions near synchronous machines, the values of the steady-state short-circuit current are lower [1, 3]. This is a result of the change of the flux route within the generator during the short-circuit condition. Initially, the flux is pushed out of the impeller by the induced currents in the damper cage and in the field winding. These currents fade with time and the

flux gradually enters the impeller which increases the reactance value of the generator. In the first instance of the short-circuit condition the reactance is the lowest and assumes a value of 15% (subtransient state), during the short-circuit condition it increases to approx. 30% (transient state) and then it reaches the maximum value $\sim 200\%$ (steady state). As a result, the reactance of the circuit increases during the short-circuit condition and the amplitude of the short-circuit current decreases (Fig. 3).

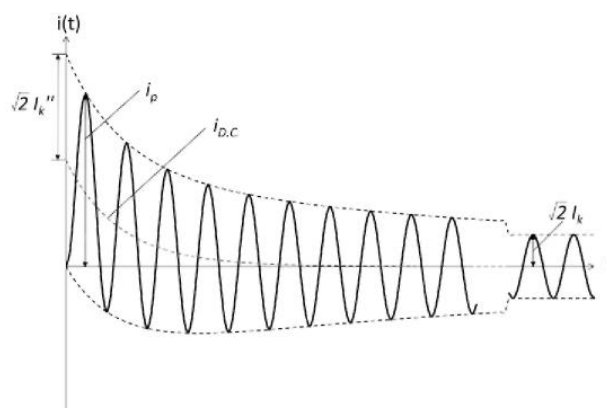


Fig. 3. Flow of the short-circuit current $i(t)$ in the RL circuit of the alternating current at a short-line fault

Short-circuit calculations should be conducted in compliance with relevant current standards. In 2002, the Polish Committee for Standardization (PKN) approved the international standard IEC 60909:0 [4] as valid in Poland, in this way adapting the Polish standards to the ones in force within the European Union. The standard also defines the principal symbols of short-circuit values which enables to eliminate any ambiguities in the design documentations. Also, the use of a single standard and single type of designations facilitates the work performed and lowers the costs for power engineering companies present on the common European market.

2. Calculation of I''_k acc. to the specifications of the PN-EN 60909 standard

Calculation of short-circuit values acc. to the specifications of the standard consists of two stages. The first step is the calculation of the initial short-circuit current I''_k . Next, it is converted using auxiliary indicators into other short-circuit values, such as the surge current. This approach is certainly simplified; however, it has been widely used in engineering calculations for many years and it has been verified on many occasions [3].

The standard recommends the use of Thevenin's principle in order to calculate the value I''_k . To summarize the theory, it describes the introduction of substitute voltage load between the short-circuit location and the earth and on the short-circuit location of all other voltage sources – generators [1].

When constructing a short-circuit model of a given network, the following assumptions are accepted:

- all branches to earth are omitted (branch capacity, branches responsible for losses in the no-load running mode of the

transformer, non-rotating acceptances)

- transformer ratios are equal to their rated values, and in transformers operating in parallel, equal to the arithmetic average of their rated values
- during the short-circuit condition no changes occur both in the network and in the character of the short-circuit condition
- no currents flow in the network prior to the short-circuit condition.

The value of the source volume introduced in the location of the short-circuit is cU_n , where the voltage factor c should be selected according to Tab. 1. The initial three-phase short-circuit current may be calculated using the formula (2).

$$I_k'' = \frac{cU_n}{\sqrt{3} \cdot Z_k} \quad (2)$$

where: c – voltage factor assumed in accordance with Tab. 1, U_n – rated voltage at the short-circuit location, Z_k – short-circuit impedance.

Network rated voltage U_n	Voltage factor for calculations	
	maximum short-circuit current c_{max}	minimum short-circuit current c_{min}
LV network 100 V – 1000V	1.05* 1.10**	0.95
MV network >1 kV up to 35 kV	1.10	1.00
HV and EHV network >35 kV		

* for LV network with tolerance of +6%, e.g. for networks with voltage increased from 380 to 400 V

** for LV network with tolerance of +10%

Tab. 1. Voltage factor value [4]

The short-circuit impedance Z_k which features in the equation (2) is a network impedance seen from the terminals of the substitute voltage source introduced in the short-circuit location (with all closed generator nodes). In order to calculate it, many transformations need to be performed within the network – parallel and series branch connections and star-triangle conversions.

The principal difference between the PN-EN 60909 standard and the previously valid standards relates to the correction of impedance of synchronous generators and transformers through appropriate correction factors. Their application is to compensate for some simplifying assumptions such as the no-load running mode of the transformer or not taking into consideration the regulation of the transformer ratios. The simplicity of the equation (2) and Thevenin's principles are such important advantages that they were kept, while error reduction is achieved by means of impedance correction [3].

The standard also applies to four documents. The first document [5] explains the origin of the correction factors, the second [6] specifies typical values of electric parameters for the principal elements of power engineering systems, the third document [7] includes guidelines which should apply when calculating double

short-circuit currents and the last document [8] includes calculation examples. The five listed documents provide together cohesive guidelines which should be followed when calculating principal short-circuit values.

3. Short-circuit calculations using the node potential method

In the case of a network with a large number of branches and nodes, manual circuit transformation would be very time-consuming. In such circumstances, numerical algorithms based on the node potential method are used [1, 2, 3]. The first step is the creation of the admittance matrix \underline{Y} , and then the matrix equation is solved (3).

$$\underline{I} = \underline{Y} \cdot \underline{U} \quad (3)$$

$$\begin{bmatrix} I_1 = 0 \\ I_2 = 0 \\ \vdots \\ I_k = ? \end{bmatrix} = \begin{bmatrix} Y_{11} & Y_{12} & \dots & Y_{1k} \\ Y_{21} & Y_{22} & \dots & Y_{2k} \\ \vdots & \vdots & \ddots & \vdots \\ Y_{k1} & Y_{k2} & \dots & Y_{kk} \end{bmatrix} \cdot \begin{bmatrix} U_1 = ? \\ U_2 = ? \\ \vdots \\ U_k = \frac{c \cdot U_n}{\sqrt{3}} \end{bmatrix}$$

where: $\underline{I} = \{I_1, I_2, \dots, I_k\}$ – node current vector, $\underline{U} = \{U_1, U_2, \dots, U_k\}$ – node voltage vector, \underline{Y} – admittance matrix of self-admittances and mutual admittances in networks after the application of Thevenin's principle, k – node index where the short-circuit condition occurred.

The node current vector from the equation (3) contains only zeros apart from the element representing the node where the short-circuit condition occurred. Its node current is equivalent to the short-circuit current. Elements of the voltage vector, the right side of the equation (3) are unknown with one exception: voltage in the short-circuit location in the Thevenin's network is equal $cU_n/\sqrt{3}$ (phase value). On reversal of the \underline{Y} matrix, the result is (4).

$$\underline{U} = \underline{Z} \cdot \underline{I} \quad (4)$$

where: \underline{Z} – short-circuit impedance matrix created as a result of the admittance matrix reversal. The matrix equation is a method of recording linear equations. The last row of the system of equation (4) relating to the node where the short-circuit condition occurred (index k), can be recorded in the following way:

$$\begin{aligned} U_k &= \sum_i Z_{ki} \cdot I_i = Z_{k1} \cdot I_1 + Z_{k2} \cdot I_2 + \dots + Z_{kk} \cdot I_k \\ \frac{c \cdot U_n}{\sqrt{3}} &= Z_{k1} \cdot 0 + Z_{k2} \cdot 0 + \dots + Z_{kk} \cdot I_k \\ \frac{c \cdot U_n}{\sqrt{3}} &= Z_{kk} \cdot I_k \end{aligned} \quad (5)$$

As the node current for the closed node I_k is equal to the short-circuit current I_k'' , the initial short-circuit current can be calculated accordingly:

$$I_k'' = \frac{c \cdot U_n}{\sqrt{3} Z_{kk}} \quad (6)$$

From the equation (4), a row can be singled out which relates to any node j , creating in such a way a formula for voltage in node j with the short-circuit condition k .

$$\begin{aligned} \underline{U}_j &= \sum_i \underline{Z}_{ji} \cdot \underline{I}_i = \underline{Z}_{j1} \cdot \underline{I}_1 + \underline{Z}_{j2} \cdot \underline{I}_2 + \dots + \underline{Z}_{jk} \cdot \underline{I}_k \\ \underline{U}_j &= \underline{Z}_{k1} \cdot 0 + \underline{Z}_{k2} \cdot 0 + \dots + \underline{Z}_{jk} \cdot \underline{I}_k \\ \underline{U}_j &= \underline{Z}_{jk} \cdot \underline{I}_k \end{aligned} \quad (7)$$

It should be emphasized that this is the voltage in a network after the application of Thevenin's principle and not the actual voltage. On the identification of voltages in each node of the network, current values in branches may be calculated using the Ohm's law.

$$\underline{I}_{i-j} = \frac{\underline{U}_i - \underline{U}_j}{\underline{Z}_{ij}} \quad (8)$$

where: i, j – indexes of the initial and final nodes of a given branch, \underline{Z}_{ij} – branch impedance between nodes i and j (from branch parameters and not from the impedance matrix).

4. Electrical equipment models

4.1. Lines

Electricity power lines are modelled via reactance and resistance connected in series, and their values for a positive component are the same as in the case of other calculations, e.g. when calculating the distribution of power. In short-circuit calculations, transverse branches are omitted – i.e. the capacitance and resistance stemming from the leakance. Only in the case of single-phase short-circuit conditions in networks with a neutral point insulated or earthed by means of impedance (MV networks) should the capacitances to earth for the zero component be considered.

4.2. Two-winding transformers

Two-winding transformers (with the exception of unit transformers) for the positive and negative components are modelled as a connection in series of reactances, resistances and ideal transformer ratio. The reactance and resistance of a transformer is calculated on the basis of a short-circuit test, from equations (9a-c).

$$u_{Rr} = \frac{P_{krT}}{1000 \cdot S_{rT}} \cdot 100\% \quad (9a)$$

$$u_{Xr} = \sqrt{u_{kr}^2 - u_{Rr}^2} \quad (9b)$$

$$\underline{Z}_T = R_T + jX_T = \left(\frac{u_{Rr}}{100\%} + j \frac{u_{Xr}}{100\%} \right) \cdot \frac{U_{rT}^2}{S_{rT}} \quad (9c)$$

where: U_{rT} – rated voltage of the transformer (main side or lower side) [kV], S_{rT} – rated power of the transformer [MVA], P_{krT} – losses in the transformer windings during a short-circuit test [kW], u_{kr} – transformer short-circuit voltage expressed in percentages, u_{Rr} and u_{Xr} – respectively, active and non-active components of the short-circuit voltage, expressed in percentages.

In accordance with the standard PN-EN 60909, the transformer impedance is multiplied by a correction factor K_T , i.e. $\underline{Z}_{TK} = K_T \underline{Z}_T$. The value of the factor K_T is calculated using the equation (10).

$$K_T = 0,95 \frac{c_{max}}{1 + 0,6x_T} \quad (10)$$

where: c_{max} – voltage factor from Tab. 1 relating to the network value on the lower voltage side of the transformer, x_T – the reactance of the transformer expressed in relative units, $x_T = u_{Xr} / 100\%$.

Fig. 4 presents a diagram with the values of the factor K_T in the function of the short-circuit voltage u_{kr} . Values lower than 1 result in the reduction of the transformer's short-circuit impedance and, consequently, the value of the short-circuit current will be higher than without taking into consideration the correction factors. From the equation (10), the limiting value $x_{T(gran)}$ may be calculated above which the correction factor will be lower than 1. For $c_{max} = 1.1$ the limiting value is $x_{T(gran)} = 7.5\%$, while for $c_{max} = 1.05$ the correction factor is always lower than 1.

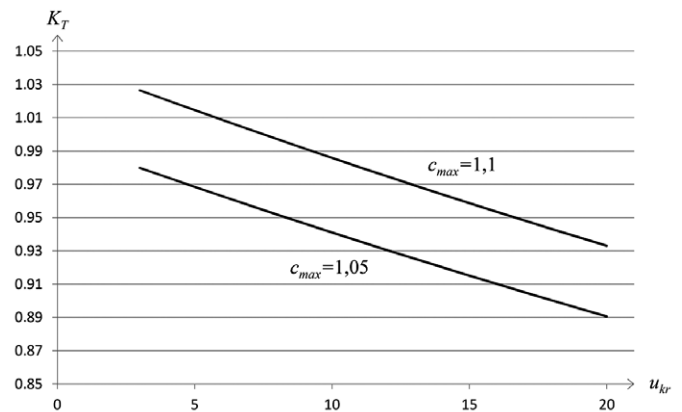


Fig. 4. Diagram of the value of the correction factor K_T for a two-winding transformer in the function of the short-circuit voltage u_{kr}

4.3. Three-winding transformers

Three-winding transformers for the purpose of short-circuit calculations are modelled in the form of three branches connected using a star system. Each branch relating to one of the windings (designated with letters A, B and C) consists of resistance and reactance connected in series. In addition, the branches relating to windings B and C include the ideal transformer ratio. Impedance values are calculated in a similar way as the two-windings transformers (equations 9a-c). The main difference is that from the results of the short-circuit tests, three impedances are calculated, one for each pair of windings (equation 11a-c).

$$\underline{Z}_{AB} = R_{AB} + jX_{AB} = \left(\frac{u_{RrAB}}{100\%} + j \frac{u_{XrAB}}{100\%} \right) \cdot \frac{U_{rT}^2}{S_{rTAB}} \quad (11a)$$

$$\underline{Z}_{AC} = R_{AC} + jX_{AC} = \left(\frac{u_{RrAC}}{100\%} + j \frac{u_{XrAC}}{100\%} \right) \cdot \frac{U_{rT}^2}{S_{rTAC}} \quad (11b)$$

$$\underline{Z}_{BC} = R_{BC} + jX_{BC} = \left(\frac{u_{RrBC}}{100\%} + j \frac{u_{XrBC}}{100\%} \right) \cdot \frac{U_{rT}}{S_{rTB}} \quad (11c)$$

where: U_{rT} – rated voltage of the transformer [kV], S_{rTAB} , S_{rTAC} , S_{rTBC} – through-power of the individual pairs of windings [MVA], u_{RrAB} and u_{XrAB} – active and non-active components of the short-circuit voltage during the AB short-circuit test (side C open), expressed in percentages,

u_{RrAC} and u_{XrAC} – active and non-active components of the short-circuit voltage during the AC short-circuit test (side B open), expressed in percentages,

u_{RrBC} and u_{XrBC} – active and non-active components of the short-circuit voltage during the BC short-circuit test (side A open), expressed in percentages,

The impedances of the pairs of windings, in accordance with the specifications of the standard, are corrected by correction factors defined by equations (12a-c), i.e. $\underline{Z}_{ABK} = K_{TAB} \underline{Z}_{AB}$, $\underline{Z}_{ACK} = K_{TAC} \underline{Z}_{AC}$ and $\underline{Z}_{BCK} = K_{TBC} \underline{Z}_{BC}$.

$$K_{TAB} = 0,95 \frac{c_{max}}{1 + 0,6x_{TAB}} \quad (12a)$$

$$K_{TAC} = 0,95 \frac{c_{max}}{1 + 0,6x_{TAC}} \quad (12b)$$

$$K_{TBC} = 0,95 \frac{c_{max}}{1 + 0,6x_{TBC}} \quad (12c)$$

where: c_{max} – voltage factor from Tab. 1, x_{TAB} , x_{TAC} , x_{TBC} – reactances of pairs of windings of the transformer expressed in relative units, $x_{TAB} = u_{XrAB} / 100\%$.

The impedances of respective windings may be calculated by means of a transformation defined by the equations (13a-c).

$$\underline{Z}_{AK} = 0,5 \cdot (\underline{Z}_{ABK} + \underline{Z}_{ACK} - \underline{Z}_{BCK}) \quad (13a)$$

$$\underline{Z}_{BK} = 0,5 \cdot (\underline{Z}_{ABK} + \underline{Z}_{BCK} - \underline{Z}_{ACK}) \quad (13b)$$

$$\underline{Z}_{CK} = 0,5 \cdot (\underline{Z}_{ACK} + \underline{Z}_{BCK} - \underline{Z}_{ABK}) \quad (13c)$$

4.4. Generators

For the purpose of short-circuit calculations, generators are modelled by means of the subtransient reactance multiplied by the correction factor K_G , calculated using the equation (14). This only applies to machines directly connected to the network, e.g. in the case of industrial networks or MV distribution networks, while for generators operating in a block with a transformer, the standard defines another equation for the correction factor.

$$K_G = \frac{U_n}{U_{rG}} \cdot \frac{c_{max}}{1 + x_d'' \cdot \sin \varphi_{rG}} \quad (14)$$

where: c_{max} – voltage factor from Tab. 1, U_{rG} – rated voltage of the generator, U_n – rated network voltage, x_d'' – reactance of the generator in relative units, φ_{rG} – angular displacement between the current and voltage in nominal operating conditions of the generator.

4.5. Induction motors

When calculating the minimum value of the initial short-circuit current, the influence of induction motors is omitted. During the calculation of the maximum value of the current I_k'' it is permissible to omit the impact of the motors if it is lower than 5% (in relation to the short-circuit current calculated without that impact). For the positive and negative component, induction motors are modelled using impedance defined by the equation (15).

$$Z_M = \frac{1}{I_{LR} / I_{rM}} \cdot \frac{U_{rM}^2}{S_{rM}} \quad (15)$$

where: I_{LR} / I_{rM} – ratio of the current which is being consumed while the impeller is blocked to the rated current of the motor, U_{rM} – rated voltage, S_{rM} – rated power.

When calculating values of resistance and reactance of a motor, the following dependencies may be used with sufficient accuracy:

- $R_M / X_M = 0,1$ and $X_M = 0,995 Z_M$ for MV motors with power assigned to a pair of poles $P_M \geq 1\text{MW}$
- $R_M / X_M = 0,15$ and $X_M = 0,989 Z_M$ for MV motors with power assigned to a pair of poles $P_M < 1\text{MW}$
- $R_M / X_M = 0,42$ and $X_M = 0,922 Z_M$ for LV motors.

4.6. Generator-transformer unit

The standard includes separate recommendations for a generator-transformer unit. In addition, it differentiates a unit with a transformer with an on-load tap changer from a unit with a transformer without such a changer or with a deactivated regulation function. In the first case, both impedances, belonging to the generator and transformer, should be multiplied by the correction factor K_S defined by the equation (16).

$$K_S = \frac{U_{nQ}^2}{U_{rG}^2} \cdot \frac{U_{rTLV}^2}{U_{rTHV}^2} \cdot \frac{c_{max}}{1 + |x_d'' - x_T| \cdot \sin \varphi_{rG}} \quad (16)$$

where: c_{max} – voltage factor from Tab. 1, U_{rG} – rated voltage of the generator, U_{nQ} – rated network voltage, x_d'' – reactance of the generator in relative units, φ_{rG} – angular displacement between the current and voltage in nominal operating conditions of the generator.

Fig. 5 presents a diagram showing the change of the value K_S depending on $|x_d'' - x_T|$. At the same time, the rated voltages of the generator and the lower voltage side of the transformer are deemed to be equal, while the voltage of the HV side of the transformer is deemed to be 10% higher in relation to the network voltage. The characteristics show that the introduction of a correction factor lowers the impedance of the unit. Additionally, the values of the factor K_S are decreased to the same degree as the difference is large between the reactances of the generator and unit transformer in relative units.

In a situation when the unit transformer is not equipped with an on-load tap changer or its regulation system is deactivated (one of the tap changers is permanently fixed), the standard recommends the use of the correction factor K_{S0} defined by the equation (17).

$$K_{SO} = \frac{U_{nQ}}{U_{rG}(1+p_G)} \cdot \frac{U_{rTLV}}{U_{rTHV}} \cdot (1 \pm p_T) \cdot \frac{c_{max}}{1+x_d'' \cdot \sin \varphi_{rG}} \quad (17)$$

where: $1+p_G$ – factor increasing U_{rG} to the voltage present in a continuous manner on the generator contacts (e.g. $p_G = 0.05$), $1 \pm p_T$ – factor including the change of the unit transformer ratio by the on-load tap changer permanently fixed on one level, the remaining as in the formula (16).

4.7. Short-circuit condition within a generator-transformer unit with an on-load tap changer

A particular case is the calculation of currents during a short-circuit condition between a generator and unit transformer, including within a network powered by an auxiliary transformer. When calculating the rate in the short-circuit current, the generator impedance is corrected with a factor defined by the equation (18a), while the transformer impedance is corrected with a factor defined by the equation (18b).

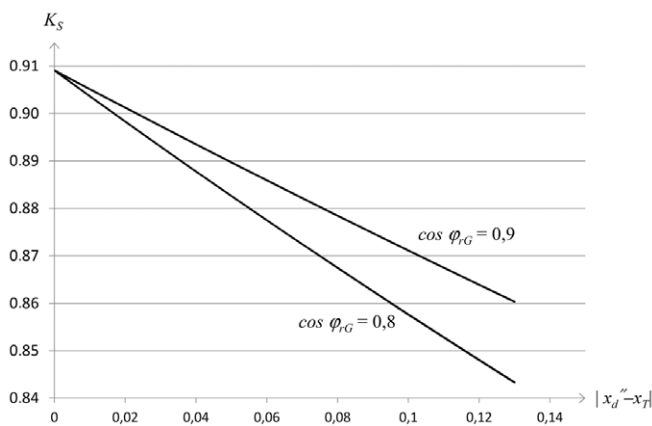


Fig. 5. Diagram of the value of the correction factor K_S for a generator-transformer unit with an on-load tap changer, assuming $U_{rG} = U_{rTLV}$ and $U_{rTHV} = 1.1 \cdot U_{nQ}$

$$K_{G,S} = \frac{c_{max}}{1+x_d'' \cdot \sin \varphi_{rG}} \quad (18a)$$

$$K_{T,S} = 1 \quad (18b)$$

where: $K_{G,S}$ – factor correcting generator impedance, $K_{T,S}$ – factor correcting transformer impedance, remaining as in the equation (16).

For the purpose of calculating the total short-circuit current or the sum of rates relating to the generator and transformer – e.g. flowing through the HV windings of the auxiliary transformer, the impedances of the elements are corrected by factors defined by the equations (19a) and (19b).

$$K_{G,S} = \frac{c_{max}}{1+x_d'' \cdot \sin \varphi_{rG}} \quad (19a)$$

$$K_{T,S} = \frac{c_{max}}{1-x_T \cdot \sin \varphi_{rG}} \quad (19b)$$

where: $K_{G,S}$ – factor correcting generator impedance, $K_{T,S}$ – factor correcting transformer impedance, remaining as in the equation (16).

The above-mentioned equations confirm that the sum of rates relating to the generator and transformer, calculated with the consideration of the factors (18 a–b), is not equal to the short-circuit current calculated using the factors defined by the equations (19 a–b).

5. Test network

The technical report IEC/TR 60909-4 [8], included in the standard, contains a collection of examples together with solutions, which illustrate a method of calculating short-circuit values. One of the test networks described in the report is presented in Fig. 6. It is an industrial network which consists of a generator with a unit transformer as well as an auxiliaries unit. Detailed parameters of all the elements included in this network may be found in the above-mentioned document.

To the 220 kV busbars, two equivalent power engineering systems are connected – one with short-circuit power of 8002 MVA, and the second with short-circuit power of 20005 MVA, but during a short-circuit condition in a given location, only one of them is active. The smaller one is active during a short-circuit condition in a point marked F1, while the larger during a short-circuit condition within MV network – nodes F2, F3 and F4.

The transformer T with an underload ratio control forms a power generating unit together with generator G with power of 250 MVA. In the event of a short-circuit condition in node F1, their impedance is corrected by a factor defined by the equation (16). In the event of a short-circuit condition in node F2, rates in the short-circuit current are calculated, originating in the generator and then flowing through the transformer from the system. Therefore, factors are then used which are defined by the equations (18a) and (18b). For short-circuit conditions in F3 and F4, the total current originating in the generator and system is of great importance, therefore, the factors defined by equations (19a) and (19b) apply in this case.

To both busbars 10 kV, powered by an auxiliary transformer, 21 motors with total power of 44.39 MW are connected. In addition, via MV/LV transformers, motors are connected with total power of 10.1 MW. It can be concluded that in view of the number and total power of these motors, the analysis of short-circuit conditions in points F2, F3 and F4 requires the consideration of their operation. In the event of a short-circuit condition in node F1, two variants are considered: with deactivated and activated motors – in order to check their impact on the level of the short-circuit current.

The calculations were performed using the PlansSN program. The software is dedicated to analyses conducted in MV networks,

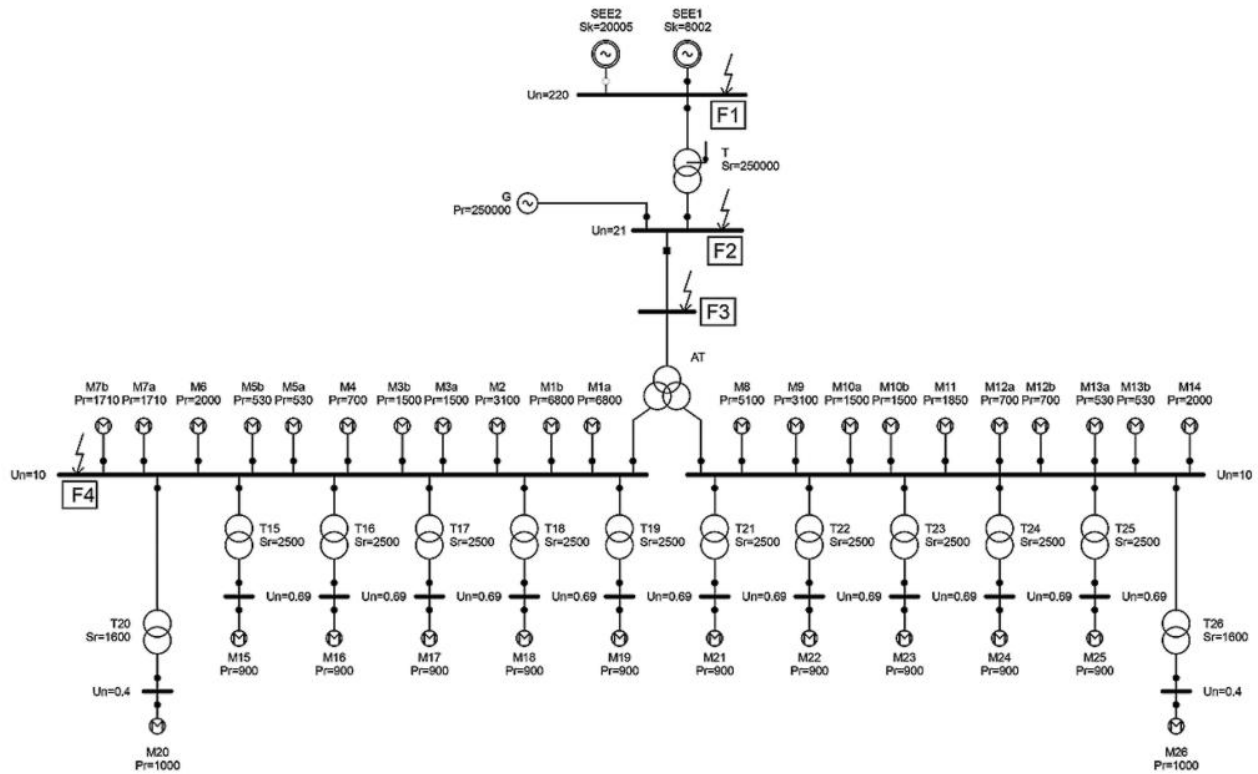


Fig. 6. MV test network modelled using the PlansSN program

and it enables simple modelling of complex systems by means of introducing rated parameters of its elements.

The program calculates short-circuit currents in accordance with the standard PN-EN 60909, but also enables the calculations to be conducted without taking into consideration correction factors.

6. Calculation results

Tab. 2 lists values of correction factors calculated for test network elements. Attention should be paid to the fact that for the generator and unit transformer, three values are provided, depending on the analysed location of the short-circuit condition. The lowest value, equal to 0.913, achieves the correction factor for the generator-transformer unit in the case of calculating the short-circuit condition on busbars 220 kV. This means that the impedances of these two elements will be lower, while the short-circuit current higher, than in the calculation which does not take the factors into consideration. When calculating the short-circuit current in points F3 and F4 – i.e. inside the auxiliary network of the units, the correction factor for the unit transformer achieves the value of 1.214, and as a result, the transformer impedance increases and the short-circuit current decreases. The factors calculated for the remaining elements are nearer to uniformity, and therefore, it should be expected that their impact on the impedance and value of the short-circuit values will be lower.

Element	K	Remarks
G	0.913	short-circuit condition in F1
	0.994	short-circuit condition in F2 (rates)
	0.994	short-circuit condition in F3 and F4
T	0.913	short-circuit condition in F1
	1.000	short-circuit condition in F2 (rates)
	1.214	short-circuit condition in F3 and F4
AT	1.003	KTAB
	1.003	KTAC
	0.969	KTBC
T20, T26	0.963	
T15... 19 and T21... 25	1.009	

Tab. 2. Correction factors for the impedances of the test network elements

The calculation results for short-circuit currents in respective nodes of the test network are listed in Tab. 3 – the second column lists values calculated according to the specifications of the standard PN-EN 60909, while the third column lists values calculated for the models without taking the correction factors into consideration. The results confirm the analysis of values specified in Tab. 2. In the case of a short-circuit condition in point F1 (without induction motors), the inclusion of the factors has resulted in the increase of the short-circuit current rate originating in the

generator-transformer unit by nearly 10%. For the short-circuit condition in the auxiliaries network, the rate from the generator and from the system (via the unit transformer) is lower by approx. 8% for point F3 and nearly 2% for F4.

The inclusion of the correction factors in the test network has a considerable effect on the value of the short-circuit current originating in the second section with the motors. The rate of this current increases by over 20%, which means a change of 200 A.

The operation of the motors during the analysis of the short-circuit condition in node F1 results in the increase of the rate originating in the generator-transformer unit by 7%. However, because it is the short-circuit power of the equivalent power engineering system which is responsible for the value of the short-circuit power in point F1, the influence of the motors on the total short-circuit current is negligible and is equal to 0.6%.

The sum of current rates originating in the generator I''_{KG} and unit transformer I''_{KT} calculated during the short-circuit analysis in node F2 is 44 731 A + 46 811 A = 91 542 A. However, the total rate originating in the generator and the system, calculated when analysing the short-circuit condition in point F3, is considerably lower and amounts to 83 781 A. The difference is a result of assuming various correction factors for these two cases, as recommended by the standard.

Value	PN-EN 60909	Models without correction factors	Difference
Short-circuit condition in (without the participation of motors)			
I''_k	23 064	22 884	0.8%
I''_{kT}	2 076	1 895	9.6%
Short-circuit condition in F1 (with the participation of motors)			
I''_k	23 200	23 021	0.8%
I''_{kT}	2 211	2 030	8.9%
Short-circuit condition in F2 (rates)			
I''_{kG}	44 731	44 473	0.6%
I''_{kT}	46 811	46 811	0.0%
Short-circuit condition in F3			
I''_k	90 100	97 663	-7.7%
I''_{kG+T}	83 781	91 281	-8.2%
I''_{kAT}	6 360	6 423	-1.0%
Short-circuit condition in F4			
I''_k	28 706	28 853	-0.5%
I''_{kAT}	18 404	18 552	-0.8%
$I''_{kAT(HV)}$	8 647	8 816	-1.9%
$I''_{kAT(TV)}$	1 119	927	20.7%
$kT15... kT19$	381	382	-0.3%
I''_{kT20}	383	379	1.1%
I''_{kM1}	1 989	1 989	0.0%

Tab. 3. Calculation results for the MV test network, current values in [A]

7. Conclusions

Calculations of short-circuit currents are crucial to the design and use of power engineering systems. The methods of conducting these calculations should be compliant with the recommendations of the valid standard PN-EN 60909. While Thevenin's

principle together with the node potential method is well-known and has been used for many years, the correction factors provide a crucial change in relation to the subject matter above. In accordance with the principles presented by the authors of the standard, the correction factors are to compensate for the errors resulting from the accepted simplifying assumptions.

The results of short-circuit analyses of test networks show that the introduced correction factors have a great impact on the calculated values of the short-circuit currents. This applies in the highest degree to rates originating in transformers and generators. As the distance from power generating stations decreases, and in particular from radial systems, the rate of the transformers within a short-circuit impedance Z_{kk} decreases, and the rate originating in the connectors and cables increases. As line impedances are not corrected by means of correction factors, the short-circuit current values calculated according to the specifications of the new and previous standards, will in this case be more convergent.

The standard specifies three separate cases for the generator-transformer unit, depending on the short-circuit location. Each case possesses different equations for the calculation of correction factors. In order to obtain correct results, it is crucial to ensure that the applicable variations are suitably considered.

REFERENCES

1. Kujaszczyk S. et al., Elektroenergetyczne układy przesyłowe [Power transmission systems], Warsaw 1997, pp. 193–217.
2. Barnaś K. et al., Laboratorium podstaw elektroenergetyki [Laboratory of power engineering principles], Warsaw 2003, pp. 115–129.
3. Kacejko P., Machowski J., Zwarcia w systemach elektroenergetycznych [Short-circuits in power systems], Warsaw 2002.
4. PN-EN 60909-0:2002, Prądy zwarciove w sieciach trójfazowych prądu przemiennego, Część 0: Obliczanie prądów [Short-circuit currents in three-phase a.c. systems – Part 0: Calculation of currents].
5. IEC/TR 60909-1: Short-circuit currents in three-phase a.c. systems, Part 1: Factors for the calculation of short-circuit currents according to IEC 60909-0, 2002-07.
6. IEC/TR 60909-2: Short-circuit currents in three-phase a.c. systems, Part 2: Data of electrical equipment for short-circuit current calculations, 2008-11.
7. PN-EN 60909-3:2010: Prądy zwarciove w sieciach trójfazowych prądu przemiennego, Część 3: Prądy podwójnych, jednoczesnych i niezależnych, zwarc doziemnych i częściowe prądy zwarciove płynące w ziemi [Short-circuit currents in three-phase a.c. systems, Part 3: Currents during two separate simultaneous line-to-earth short-circuits and partial short-circuit currents flowing through earth].
8. IEC/TR 60909-4: Short-circuit currents in three-phase a.c. systems, Part 4: Examples for the calculation of short-circuit currents, 2000-07.

Krzysztof Księżyk

PLANS

e-mail: krzysztof.ksiezzyk@plans.com.pl

Graduate of Warsaw University of Technology. Between 1999 and 2010, he worked as an assistant at the Power Engineering Institute of Warsaw University of Technology. Currently working for the PLANS company. His professional interests include modelling and analyses of operational modes of power engineering systems.

Tomasz Zdun

PLANS

e-mail: tomasz.zdun@plans.com.pl

Graduate of Warsaw University of Technology. For seven years he worked as a research scientist and lecturer at Warsaw University of Technology. Currently employed by PLANS as a programmer and specialist in power engineering systems. His responsibilities include the development of software for the analysis of operational modes of power transmission and distribution grids.

This is a supporting translation of the original text published in this issue of "Acta Energetica" on pages 62–70. When referring to the article please refer to the original text.

PL

Obliczanie prądu początkowego zwarcia w sieciach SN według normy PN-EN 60909

Autorzy

Krzysztof Księżyk
Tomasz Zdun

Słowa kluczowe

obliczenia zwarciove, początkowy prąd zwarciovy, modele elementów

Streszczenie

Wyznaczanie wielkości zwarciovy należy do najczęściej wykonywanych analiz sieciowych. Przeprowadzanie tych obliczeń powinno być zgodne z obowiązującą normą PN-EN 60909. W artykule zostały opisane modele podstawowych elementów sieci wraz ze sposobem wyznaczania ich parametrów impedancyjnych z uwzględnieniem współczynników korygujących wprowadzonych przez normę. Przedstawiono wyniki obliczeń początkowego prądu zwarcia dla przykładowej sieci SN oraz porównano je z wynikami uzyskanymi bez uwzględniania współczynników poprawkowych.

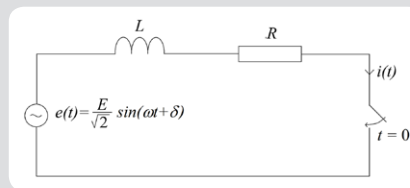
1. Wstęp

Inwestycje w infrastrukturę elektroenergetyczną, takie jak budowa nowej linii, instalacja transformatora czy bloku wytórczego w elektrowni, poprzedzone są licznymi analizami, w tym analizami technicznymi. Jedną z nich jest wyznaczenie spodziewanych wartości prądów zwarciovy. Zwarć w sieci nie można całkowicie wyeliminować, wobec czego system elektroenergetyczny musi być na nie przygotowany. Oznacza to przede wszystkim prawidłowy dobór aparatury łączeniowej oraz prawidłowy dobór przekrojów przewodów i szynoprzewodów. Ponadto wyniki obliczeń zwarciovy mogą zdecydować o wprowadzaniu środków ograniczających wartości prądów zwarciovy, np. sekcjonowanie, instalowanie dławików zwarciovy, stosowanie szybkich wyłączników „wybuchowych”, niepozwalających na osiągnięcie przez prąd wartości szczytowej itp. W trakcie bieżącej eksploatacji systemów elektroenergetycznych, przy zmianach w topologii sieci, również należy przeprowadzać obliczenia zwarciove w celu kontroli poziomów mocy zwarciovy.

Dokładność obliczeń zwarciovy odgrywa ważną rolę w zapewnieniu bezpieczeństwa, zarówno dla samego systemu elektroenergetycznego, jak i dla życia ludzi. W trakcie zwarcia przez elementy sieci mogą płynąć prądy o natężeniach wielokrotnie większych niż prądy robocze. Obwód, w którym zwarcie wystąpiło, należy jak najszybciej wyłączyć poprzez otwarcie wyłącznika, przy czym istotne jest, aby aparatura łączeniowa była prawidłowo dobrana. Jeżeli wyłącznik będzie miał za małą zdolność łączeniową, to nie będzie w stanie zgasić łuku, który może pojawić się w momencie otwarcia styków. W takiej sytuacji urządzenie ulegnie uszkodzeniu, awaria może objąć większy obszar sieci, co może doprowadzić do znaczących strat. Z drugiej strony instalowanie wyłączników o znamionowych prądach wyłączalnych dużo większych od spodziewanych jest nieuzasadnione z ekonomicznego punktu widzenia.

Obliczenia zwarciove obejmują szeroki zakres tematyczny [1, 2, 3]. Najważniejszym elementem jest wyznaczenie charakterystycznych wartości dla przebiegu prądu

zwarciovy $i(t)$. W obwodzie RL prądu przemiennego, przedstawionym na rys. 1, po zamknięciu w chwili $t = 0$ łącznika, popłynie prąd $i(t)$ opisany równaniem (1).



Rys. 1. Obwód RL zasilany napięciem przemiennym

$$i(t) = \frac{\sqrt{2}E}{Z} \sin(\omega t + \delta - \varphi) - \frac{\sqrt{2}E}{Z} \sin(\delta - \varphi) e^{-\frac{R}{L}t}$$

$$i(t) = i_{AC} + i_{DC}$$
(1)

gdzie:

$Z = \sqrt{R^2 + (\omega L)^2}$ – moduł impedancji zastępczej obwodu zwartego

$\varphi = \arctg(\omega L/R)$ – argument impedancji zastępczej obwodu

E – wartość skuteczna źródła napięcia

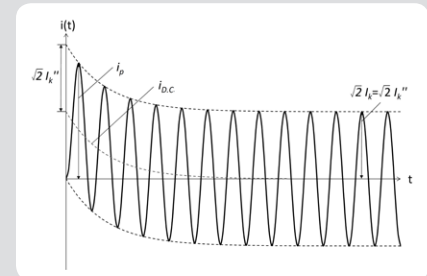
δ – kąt napięcia w chwili $t = 0$ wystąpienia zwarcia

$\omega = 2\pi f$ – pulsacja.

W równaniu (1) można wyodrębnić dwie składowe. Pierwsza odpowiada składowej okresowej i_{AC} , wymuszanej w obwodzie przez źródło napięciowe. Drugi składnik to składowa aperiodyczna prądu zwarciovy i_{DC} , zanikająca ze stałą czasową R/L . Pojawia się ona z tego powodu, że prąd w obwodzie nie może zmienić się w sposób skokowy, a więc suma obu składowych w pierwszej chwili zwarcia musi być równa prądowi przed zwarcie. Najczęściej przed zwarcie zakłada się stan bezprądowy, czyli wartość chwilowa prądu w momencie wystąpienia zwarcia jest równa zero ($i(0^+) = i(0^-) = 0$). Jeśli zwarcie wystąpi w takiej chwili, że spełniony jest warunek $\delta - \varphi = \pi/2$, to składowa nieokresowa przyjmuje maksymalną wartość początkową. W rezultacie prowadzi

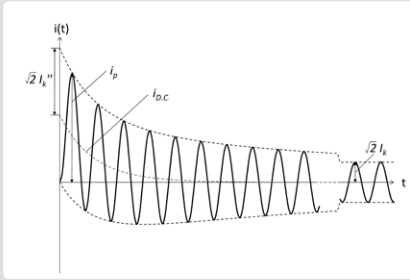
to do osiągnięcia przez $i(t)$ największej wartości chwilowej. Taka sytuacja została przedstawiona na rys. 2. Ponadto zaznaczono na nim charakterystyczne wielkości:

- początkowy prąd zwarcia I_k – wartość skuteczna składowej okresowej prądu zwarciovy w pierwszej chwili zwarcia
- ustalony prąd zwarcia I_k
- prąd udarowy i_p – największa chwilowa wartość prądu zwarciovy
- składowa aperiodyczna prądu zwarcia i_{DC} .



Rys. 2. Przebieg prądu zwarciovy $i(t)$ w obwodzie RL prądu przemiennego przy zwarcie odległym

W zwarciach odległych od generatora wartości początkowego prądu zwarcia oraz prądu ustalonego są takie same. Jednak w zwarciach w pobliżu maszyn synchronicznych wartość prądu ustalonego jest mniejsza [1, 3]. Wynika to ze zmiany drogi strumienia w generatorze w czasie trwania zwarcia. Początkowo strumień jest wypychany z wirnika przez prądy zaindukowane w klatce tłumiącej oraz w uzwojeniu wzbudzenia. Z czasem te prądy zanikają i strumień stopniowo wnika do wirnika, co powoduje wzrost wartości reaktancji generatora. W pierwszej chwili zwarcia reaktancja jest najmniejsza i przyjmuje wartości rzędu 15% (stan podprzejściowy), w czasie trwania zwarcia rośnie do poziomu ok. 30% (stan przejściowy), a następnie osiąga wartość maksymalną ~200% (stan ustalony). W rezultacie reaktancja obwodu w czasie trwania zwarcia rośnie, a amplituda prądu zwarciovy maleje (rys. 3).



Rys. 3. Przebieg prądu zwarciego $i(t)$ w obwodzie RL prądu przemiennego przy zwarciu bliskim

Przeprowadzanie obliczeń zwarciovych powinno być zgodne z obowiązującymi normami. W 2002 roku Polski Komitet Normalizacyjny przyjął za obowiązującą w kraju międzynarodową normę IEC 60909:0 [4], dostosowując w ten sposób polskie normy do standardów przyjętych w Unii Europejskiej. W normie zdefiniowane są również podstawowe symbole wielkości zwarciovych, co pozwala na wyeliminowanie niejednoznaczności w dokumentacjach projektowych. Dodatkowo stosowanie jednej normy i jednych oznaczeń ułatwia działalność i obniża jej koszty dla firmy z branży elektroenergetycznej obecnych na wspólnym rynku europejskim.

2. Wyznaczenie I_k'' wg zaleceń normy PN-EN 60909

Wyznaczanie wielkości zwarciovych wg zaleceń normy składa się z dwóch etapów. W pierwszym kroku obliczany jest początkowy prąd zwarcia I_k'' . Następnie jest on przeliczany za pomocą pomocniczych wskaźników na pozostałe wielkości zwarciove, np. prąd udarowy. Takie podejście jest oczywiście sposobem uproszczonym, ale szeroko wykorzystywanym w obliczeniach inżynierskich od wielu lat i wielokrotnie sprawdzonym [3].

Do obliczenia wartości I_k'' norma zaleca stosowanie metody Thevenina. W uproszczeniu polega ona na wstawieniu zastępczego źródła napięciowego pomiędzy miejscem zwarcia a ziemią oraz na zwarciu wszystkich innych źródeł napięciowych – generatorów [1]. Przy budowaniu modelu zwarciovego sieci przyjmuje się następujące założenia:

- pomija się wszystkie gałęzie doziemne (pojemności linii, gałęzie odpowiadające za straty biegu jałowego w transformatorze, odbiory niewirujące)
- przekładnie transformatorów są równe ich wartościom znamionowym, a w transformatorach pracujących równolegle równe średniej arytmetycznej ich wartości nominalnych
- w czasie trwania zwarcia nie zachodzą żadne zmiany zarówno w sieci, jak i w charakterze zwarcia
- przed zwarcieciem w sieci nie płyną żadne prądy.

Wartość napięcia źródła wstawionego w miejscu zwarcia wynosi cU_n , gdzie współczynnik napięciowy c należy dobrać zgodnie z tab. 1. Początkowy prąd zwarcia trójfazowego może być obliczony ze wzoru (2).

$$I_k'' = \frac{cU_n}{\sqrt{3} \cdot Z_k} \quad (2)$$

gdzie:

c – współczynnik napięciowy przyjęty zgodnie z tab. 1

U_n – napięcie znamionowe sieci w miejscu zwarcia

Z_k – impedancja zwarciova.

Napięcie znamionowe sieci U_n	Współczynnik napięciowy dla obliczeń	
	maksymalnego prądu zwarcia c_{max}	minimalnego prądu zwarcia c_{min}
Sieć nn 100 V – 1000 V	1,05* 1,10**	0,95
Sieć SN >1 kV do 35 kV	1,10	1,00
Sieć WN i NN >35 kV		

* dla sieci nn o tolerancji +6%, np. dla sieci o podniesionym napięciu z 380 do 400 V

** dla sieci nn o tolerancji +10%

Tab. 1. Wartości współczynnika napięciowego [4]

Występująca w równaniu (2) impedancja zwarciova Z_k to impedancja sieci widziana z zacisków zastępczego źródła napięcia wstawionego w miejsce zwarcia (przy zwarcie wszystkich węzłach generatorowych). Chcąc ją wyznaczyć, należy dokonać wielu przekształceń w sieci – połączenia równoległe i szeregowo gałęzi oraz przekształcenia gwiazda-trójkąt.

Zasadnicza różnica pomiędzy normą PN-EN 60909 a wcześniej obowiązującymi standardami polega na korygowaniu impedancji generatorów synchronicznych i transformatorów przez odpowiednie współczynniki poprawkowe. Ich zastosowanie ma na celu zrekomensowanie pewnych założeń upraszczających, takich jak praca generatorów na biegu jałowym czy nieuwzględnianie regulacji przekładni transformatorów. Prosta wzoru (2) oraz metody Thevenina są tak dużymi zaletami, że zdecydowano się na ich pozostawienie, natomiast zmniejszenie błędów obliczeń osiągnięto właśnie poprzez korygowanie impedancji [3].

Norma odnosi się do jeszcze czterech dokumentów. Pierwszy z nich [5] wyjaśnia pochodzenie współczynników korygujących, drugi [6] podaje typowe wartości parametrów elektrycznych dla podstawowych elementów systemu elektroenergetycznego, trzeci dokument [7] zawiera wytyczne, jakimi należy się kierować przy wyznaczaniu prądów zwarc podwójnych, a w ostatnim [8] zamieszczono przykłady obliczeniowe. Pięć wymienionych dokumentów tworzy razem spójne wytyczne, jakimi należy się kierować przy wyznaczaniu podstawowych wielkości zwarciovych.

3. Obliczenia zwarciove z użyciem metody potencjałów węzłowych

W przypadku sieci z dużą liczbą gałęzi i węzłów „ręczne” związanie obwodu byłoby pracochłonne. W takiej sytuacji zastosowanie znajdują algorytmy numeryczne

bazujące na metodzie potencjałów węzłowych [1, 2, 3]. W pierwszym kroku tworzona jest macierz admitycyjna \underline{Y} , a następnie rozwiązywane jest równanie macierzowe (3).

$$\underline{I} = \underline{Y} \cdot \underline{U}$$

$$\begin{bmatrix} I_1 = 0 \\ I_2 = 0 \\ \vdots \\ I_k = ? \end{bmatrix} = \begin{bmatrix} Y_{11} & Y_{12} & \dots & Y_{1k} \\ Y_{21} & Y_{22} & \dots & Y_{2k} \\ \vdots & \vdots & \ddots & \vdots \\ Y_{k1} & Y_{k2} & \dots & Y_{kk} \end{bmatrix} \cdot \begin{bmatrix} U_1 = ? \\ U_2 = ? \\ \vdots \\ U_k = \frac{c \cdot U_n}{\sqrt{3}} \end{bmatrix} \quad (3)$$

gdzie:

$\underline{I} = \{I_1, I_2, \dots, I_k\}$ – wektor prądów węzłowych, $\underline{U} = \{U_1, U_2, \dots, U_k\}$ – wektor napięć węzłowych

\underline{Y} – macierz admitycji własnych i wzajemnych w sieci po zastosowaniu metody Thevenina,

k – indeks węzła, w którym nastąpiło zwarcie.

Wektor prądów węzłowych z równania (3) zawiera same zera oprócz elementu odpowiadającego węzłowi, w którym jest zwarcie. Jego prąd węzłowy jest równy prądowi zwarcia. Elementy wektora napięć, prawa strona równania (3), są nieznanne z jednym wyjątkiem: napięcie w miejscu zwarcia w sieci Thevenina jest równe $cU_n/\sqrt{3}$ (wartość fazowa).

W wyniku odwrócenia macierzy \underline{Y} otrzymuje się (4).

$$\underline{U} = \underline{Z} \cdot \underline{I} \quad (4)$$

gdzie:

\underline{Z} – macierz impedancyjna zwarciova powstała poprzez odwrócenie macierzy admitycyjnej.

Równanie macierzowe jest sposobem zapisu układu równań liniowych. Ostatni wiersz układu równań (4), odpowiadający węzłowi, w którym wystąpiło zwarcie (indeks k), można zapisać następujący sposób:

$$\begin{aligned} U_k &= \sum_i Z_{ki} \cdot I_i = Z_{k1} \cdot I_1 + Z_{k2} \cdot I_2 + \dots + Z_{kk} \cdot I_k \\ \frac{c \cdot U_n}{\sqrt{3}} &= Z_{k1} \cdot 0 + Z_{k2} \cdot 0 + \dots + Z_{kk} \cdot I_k \\ \frac{c \cdot U_n}{\sqrt{3}} &= Z_{kk} \cdot I_k \end{aligned} \quad (5)$$

Ponieważ prąd węzłowy dla węzła zwartego I_k jest równy prądowi zwarcia, stąd można obliczyć początkowy prąd zwarciovy:

$$I_k'' = \frac{c \cdot U_n}{\sqrt{3} Z_{kk}} \quad (6)$$

Z równania (4) można wyodrębnić wiersz odpowiadający dowolnemu węzłowi j , otrzymując w ten sposób wzór na napięcie w węzle j przy zwarcie w węzle k .

$$\begin{aligned} U_j &= \sum_i Z_{ji} \cdot I_i = Z_{j1} \cdot I_1 + Z_{j2} \cdot I_2 + \dots + Z_{jk} \cdot I_k \\ U_j &= Z_{k1} \cdot 0 + Z_{k2} \cdot 0 + \dots + Z_{jk} \cdot I_k \\ U_j &= Z_{jk} \cdot I_k \end{aligned} \quad (7)$$

Należy podkreślić, że jest to napięcie w sieci po zastosowaniu twierdzenia Thevenina, a nie napięcie rzeczywiste.

Po wyznaczeniu napięć w każdym węźle sieci można wyznaczyć wartości prądów w gałęziach na podstawie prawa Ohma.

$$I_{i-j} = \frac{U_i - U_j}{Z_j} \quad (8)$$

gdzie:

i, j – indeksy węzłów początkowego i końcowego danej gałęzi,

Z_{ij} – impedancja gałęzi pomiędzy węzłami i oraz j (z parametrów gałęzi, a nie z macierzy impedancyjnej).

4. Modele elementów

4.1. Linie

Linie elektroenergetyczne modelowane są poprzez szeregowo połączoną reaktancję i rezystancję, a ich wartości dla składowej zgodnej są takie same jak w przypadku innych obliczeń, np. wyznaczania rozplywu mocy. W obliczeniach zwarciovych pomija się gałęzie poprzeczne, tzn. pojemność oraz rezystancję wynikającą z upływności. Jedynie w przypadku zwarć jednofazowych w sieciach z izolowanym lub uziemionym poprzez impedancję punktem neutralnym (sieci SN) należy uwzględnić pojemności doziemne dla składowej zerowej.

4.2. Transformatory 2-uzwojeniowe

Transformatory 2-uzwojeniowe (za wyjątkiem transformatorów blokowych) dla składowej zgodnej oraz przeciwnej modelowane są jako szeregowo połączenie reaktancji, rezystancji i przekładni transformatora idealnego. Rezystancja i reaktancja transformatora wyznaczana jest na podstawie próby zwarcia, ze wzorów (9a-c).

$$u_{Rr} = \frac{P_{krT}}{1000 \cdot S_{rT}} \cdot 100\% \quad (9a)$$

$$u_{Xr} = \sqrt{u_{kr}^2 - u_{Rr}^2} \quad (9b)$$

$$\underline{Z}_T = R_T + jX_T = \left(\frac{u_{Rr}}{100\%} + j \frac{u_{Xr}}{100\%} \right) \cdot \frac{U_{rT}^2}{S_{rT}} \quad (9c)$$

gdzie:

U_{rT} – napięcie znamionowe transformatora (strona górna lub dolna) [kV]

S_{rT} – moc znamionowa transformatora [MVA]

P_{krT} – straty w uzwojeniach transformatora w czasie próby zwarcia [kW]

u_{kr} – napięcie zwarcia transformatora wyrażone w procentach

u_{Rr} i u_{Xr} – odpowiednio składowa czynna i bierna napięcia zwarcia, wyrażone w procentach.

Zgodnie z normą PN-EN 60909 impedancja transformatora jest mnożona przez współczynnik poprawkowy K_T , tzn. $\underline{Z}_{TK} = K_T \underline{Z}_T$. Wartość współczynnika K_T jest wyznaczana ze wzoru (10).

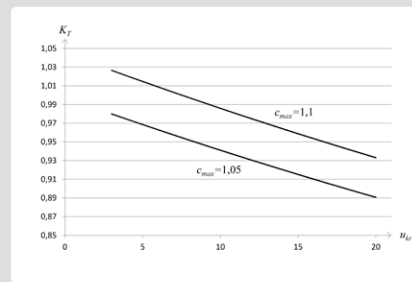
$$K_T = 0,95 \frac{c_{max}}{1 + 0,6x_T} \quad (10)$$

gdzie:

c_{max} – współczynnik napięciowy z tab. 1 odniesiony do napięcia sieci po stronie dolnej transformatora,

x_T – reaktancja transformatora wyrażona w jednostkach względnych, $x_T = u_{Xr} / 100\%$.

Na rys. 4 przedstawiono wykres wartości współczynnika K_T w funkcji napięcia zwarcia u_{kr} . Wartości mniejsze od 1 powodują, że impedancja zwarciova transformatora maleje i w związku z tym wartość prądu zwarciowego będzie większa niż bez uwzględnienia współczynników poprawkowych. Ze wzoru (10) można wyznaczyć wartość graniczną $x_{T(gran)}$, powyżej której współczynnik poprawkowy będzie mniejszy od 1. Dla $c_{max} = 1,1$ wartością graniczną jest $x_{T(gran)} = 7,5\%$, natomiast dla $c_{max} = 1,05$ współczynnik poprawkowy jest zawsze mniejszy od 1.



Rys. 4. Wykres wartości współczynnika poprawkowego K_T dla transformatorów dwuzwojeniowych w funkcji napięcia zwarcia u_{kr} .

4.3. Transformatory 3-uzwojeniowe

Transformatory 3-uzwojeniowe do obliczeń zwarciovych są modelowane w postaci trzech gałęzi połączonych w gwiazdę. Każda z gałęzi, odpowiadająca jednemu z uzwojeń (oznaczonych literami A, B i C), składa się z szeregowego połączenia rezystancji i reaktancji. Dodatkowo gałęzie odpowiadające uzwojeniom B i C zawierają przekładnię transformatora idealnego. Wartości impedancji wyznaczane są w podobny sposób jak dla transformatorów 2-uzwojeniowych (wzory 9a-c). Główna różnica polega na tym, że z wyników próby zwarcia wyznaczane są trzy impedancje, po jednej dla każdej pary uzwojeń (wzory 11a-c).

$$\underline{Z}_{AB} = R_{AB} + jX_{AB} = \left(\frac{u_{RrAB}}{100\%} + j \frac{u_{XrAB}}{100\%} \right) \cdot \frac{U_{rT}^2}{S_{rTAB}} \quad (11a)$$

$$\underline{Z}_{AC} = R_{AC} + jX_{AC} = \left(\frac{u_{RrAC}}{100\%} + j \frac{u_{XrAC}}{100\%} \right) \cdot \frac{U_{rT}^2}{S_{rTAC}} \quad (11b)$$

$$\underline{Z}_{BC} = R_{BC} + jX_{BC} = \left(\frac{u_{RrBC}}{100\%} + j \frac{u_{XrBC}}{100\%} \right) \cdot \frac{U_{rT}^2}{S_{rTBC}} \quad (11c)$$

gdzie:

U_{rT} – napięcie znamionowe transformatora [kV]

$S_{rTAB}, S_{rTAC}, S_{rTBC}$ – moc przewodnia poszczególnych par uzwojeń [MVA] u_{RrAB} i u_{XrAB} – składowe czynna i bierna napięcia zwarcia przy próbie zwarcia AB (strona C otwarta), wyrażone w procentach

u_{RrAC} i u_{XrAC} – składowe czynna i bierna

napięcia zwarcia przy próbie zwarcia AC (strona B otwarta), wyrażone w procentach u_{RrBC} i u_{XrBC} – składowe czynna i bierna napięcia zwarcia przy próbie zwarcia BC (strona A otwarta), wyrażone w procentach. Impedancje par uzwojeń zgodnie z zaleceniami normy są korygowane przez współczynniki poprawkowe zdefiniowane wzorami (12a-c), tzn. $\underline{Z}_{ABK} = K_{TAB} \underline{Z}_{AB}$, $\underline{Z}_{ACK} = K_{TAC} \underline{Z}_{AC}$ oraz $\underline{Z}_{BCK} = K_{TBC} \underline{Z}_{BC}$.

$$K_{TAB} = 0,95 \frac{c_{max}}{1 + 0,6x_{TAB}} \quad (12a)$$

$$K_{TAC} = 0,95 \frac{c_{max}}{1 + 0,6x_{TAC}} \quad (12b)$$

$$K_{TBC} = 0,95 \frac{c_{max}}{1 + 0,6x_{TBC}} \quad (12c)$$

gdzie:

c_{max} – współczynnik napięciowy z tab. 1

$x_{TAB}, x_{TAC}, x_{TBC}$ – reaktancje par uzwojeń transformatora wyrażone w jednostkach względnych, $x_{TAB} = u_{XrAB} / 100\%$.

Impedancje poszczególnych uzwojeń można wyznaczyć poprzez przekształcenie zdefiniowane wzorami (13a-c).

$$\underline{Z}_{AK} = 0,5 \cdot (\underline{Z}_{ABK} + \underline{Z}_{ACK} - \underline{Z}_{BCK}) \quad (13a)$$

$$\underline{Z}_{BK} = 0,5 \cdot (\underline{Z}_{ABK} + \underline{Z}_{BCK} - \underline{Z}_{ACK}) \quad (13b)$$

$$\underline{Z}_{CK} = 0,5 \cdot (\underline{Z}_{ACK} + \underline{Z}_{BCK} - \underline{Z}_{ABK}) \quad (13c)$$

4.4. Generatory

Na potrzeby wyznaczania prądów zwarciovych generatory modelowane są reaktancją podprześciową pomnożoną przez współczynnik poprawkowy K_G , wyznaczony ze wzoru (14). Dotyczy to tylko maszyn przyłączonych bezpośrednio do sieci, np. w sieciach przemysłowych lub rozdzielczych SN, natomiast dla generatorów pracujących w bloku z transformatorem norma definiuje inny wzór na współczynnik poprawkowy.

$$K_G = \frac{U_n}{U_{rG}} \cdot \frac{c_{max}}{1 + x_d'' \cdot \sin \varphi_{rG}} \quad (14)$$

gdzie:

c_{max} – współczynnik napięciowy z tab. 1

U_{rG} – napięcie znamionowe generatora

U_n – napięcie znamionowe sieci

x_d'' – reaktancja generatora w jednostkach względnych

φ_{rG} – przesunięcie kątowe pomiędzy prądem i napięciem w warunkach pracy znamionowej generatora.

4.5. Silniki indukcyjne

Przy wyznaczaniu minimalnej wartości początkowego prądu zwarcia pomija się wpływ silników indukcyjnych. Podczas obliczeń maksymalnej wartości prądu I_k dopuszczalne jest pominięcie udziału od silników, jeżeli jest on mniejszy niż 5% (w stosunku do wartości prądu zwarciowego wyznaczonego bez udziału silników).

Silniki indukcyjne dla składowej zgodnej i przeciwnej modelowane są impedancją określoną wzorem (15).

$$\underline{Z}_M = \frac{1}{I_{LR} / I_{rM}} \cdot \frac{U_{rM}^2}{S_{rM}} \quad (15)$$

gdzie:

I_{LR}/I_{rM} – stosunek prądu pobieranego przy zablokowanym wirniku do prądu znamionowego silnika

U_{rM} – napięcie znamionowe,

S_{rM} – moc znamionowa.

Przy wyznaczaniu wartości rezystancji i reaktancji silnika z wystarczającą dokładnością można posłużyć się następującymi zależnościami:

$R_M/X_M = 0,1$ i $X_M = 0,995 Z_M$ dla silników SN z mocą przypadającą na parę biegunów $P_M \geq 1\text{ MW}$

$R_M/X_M = 0,15$ i $X_M = 0,989 Z_M$ dla silników SN z mocą przypadającą na parę biegunów $P_M < 1\text{ MW}$

$R_M/X_M = 0,42$ i $X_M = 0,922 Z_M$ dla silników nn.

4.6. Blok transformator-generator

Norma zaleca osobne traktowanie bloku generator-transformator. Ponadto odróżnia blok z transformatorem z podobciążeniowym przełącznikiem zaczeów od bloku z transformatorem bez takiego przełącznika lub z wyłączoną regulacją. W pierwszym przypadku obie impedancje, generatora i transformatora, powinny być przemnożone przez współczynnik korygujący K_S zdefiniowany wzorem (16).

$$K_S = \frac{U_{nQ}^2}{U_{rG}^2} \cdot \frac{U_{rTLV}^2}{U_{rTHV}^2} \cdot \frac{c_{max}}{1 + |x_d'' - x_T''| \cdot \sin\varphi_{rG}} \quad (16)$$

gdzie:

c_{max} – współczynnik napięciowy z tab. 1

U_{rG} – napięcie znamionowe generatora

U_{nQ} – napięcie znamionowe sieci

x_d'' – reaktancja generatora w jednostkach względnych

φ_{rG} – przesunięcie kątowe pomiędzy prądem i napięciem w warunkach pracy znamionowej generatora.

Na rys. 5 przedstawiono wykres zmienności K_S w zależności od $|x_d'' - x_T''|$. Założono przy tym równość napięć znamionowych generatora i strony dolnej transformatora oraz większego o 10% napięcia strony HV transformatora w stosunku do napięcia sieci. Z charakterystyki wynika, że wprowadzenie współczynnika poprawkowego zmniejsza impedancję bloku. Ponadto wartości współczynnika K_S są tym mniejsze, im większa jest wartość modułu różnicy pomiędzy reaktancjami generatora i transformatora blokowego w jednostkach względnych.

W sytuacji, kiedy transformator blokowy nie jest wyposażony w podobciążeniowy przełącznik zaczeów lub jego układ regulacyjny jest wyłączony (jeden z zaczeów jest ustawiony na stałe), to norma zaleca używanie współczynnika korygującego K_{SO} określonego równaniem (17).

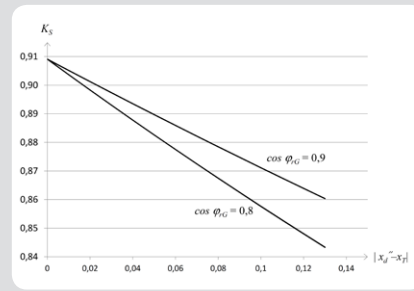
$$K_{SO} = \frac{U_{nQ}}{U_{rG}(1+p_G)} \cdot \frac{U_{rTLV}}{U_{rTHV}} \cdot (1 \pm p_T) \cdot \frac{c_{max}}{1 + x_d'' \cdot \sin\varphi_{rG}} \quad (17)$$

gdzie:

$1+p_G$ – współczynnik zwiększający U_{rG} do napięcia obecnego w sposób ciągły na zaciskach generatora (np. $p_G = 0,05$)

$1 \pm p_T$ – współczynnik uwzględniający

zmianę przekładni transformatora blokowego przez przełącznik zaczeów ustawiony na stałe na jednej pozycji, pozostałe jak we wzorze (16).



Rys. 5. Wykres wartości współczynnika poprawkowego K_S dla bloku generator-transformator z podobciążeniową regulacją przekładni, przy założeniu $U_{rG} = U_{rTLV}$ oraz $U_{rTHV} = 1,1 \times U_{nQ}$

4.7. Zwarcie wewnątrz bloku generator-transformator z podobciążeniowym przełącznikiem zaczeów

Szczególnym przypadkiem jest wyznaczanie prądów podczas zwarcia pomiędzy generatorem a transformatorem blokowym, w tym również w sieci zasilanej z transformatora potrzeb własnych. W przypadku wyznaczania udziałów w prądzie zwarciovym impedancja generatora jest korygowana współczynnikiem określonym wzorem (18a), natomiast impedancja transformatora współczynnikiem z równania (18b).

$$K_{G,S} = \frac{c_{max}}{1 + x_d'' \cdot \sin\varphi_{rG}} \quad (18a)$$

$$K_{T,S} = 1 \quad (18b)$$

gdzie:

$K_{G,S}$ – współczynnik korygujący impedancję generatora

$K_{T,S}$ – współczynnik korygujący impedancję transformatora, pozostałe jak we wzorze (16).

Na potrzeby wyznaczania całkowitego

prądu zwarciovego lub sumy udziałów do generatora i transformatora, np. płynącego przez uzwojenie HV transformatora potrzeb własnych, impedancje elementów są korygowane współczynnikami określonymi wzorami (19a) i (19b).

$$K_{G,S} = \frac{c_{max}}{1 + x_d'' \cdot \sin\varphi_{rG}} \quad (19a)$$

$$K_{T,S} = \frac{c_{max}}{1 - x_T'' \cdot \sin\varphi_{rG}} \quad (19b)$$

gdzie:

$K_{G,S}$ – współczynnik korygujący impedancję generatora

$K_{T,S}$ – współczynnik korygujący impedancję transformatora, pozostałe jak we wzorze (16).

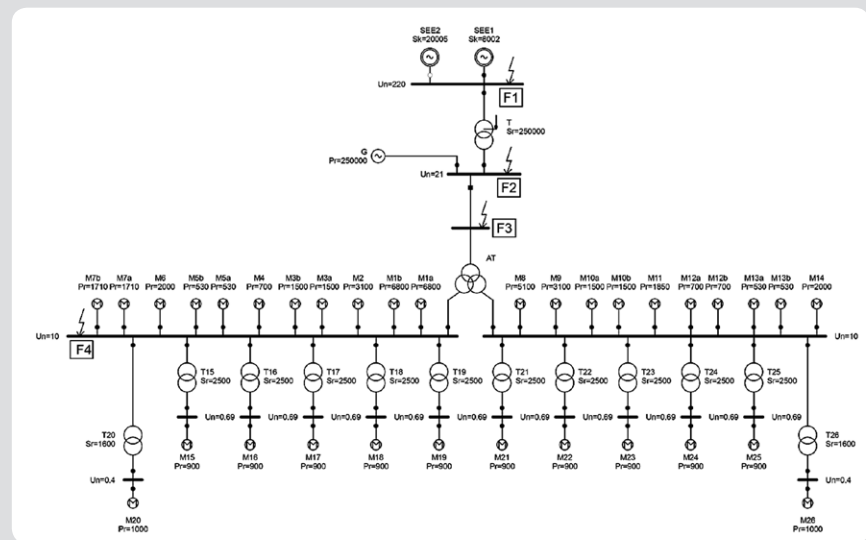
Z powyższych wzorów wynika, że suma udziałów od generatora i transformatora, wyznaczona przy uwzględnieniu współczynnika (18a-b), nie jest równa prądowi zwarcia obliczonemu przy współczynnikach zdefiniowanych wzorami (19a-b).

5. Sieć testowa

Raport techniczny IEC/TR 60909-4 [8], wchodzący w skład normy, zawiera zbiór przykładów wraz z rozwiązaniami, ilustrującą metodę wyznaczania wielkości zwarciovych. Jedną z opisanych tam sieci testowych została przedstawiona na rys. 6. Jest to sieć przemysłowa składająca się z generatora wraz z transformatorem blokowym oraz układem potrzeb własnych. Dokładne parametry wszystkich elementów wchodzących w skład tej sieci można odnaleźć we wspomnianym dokumencie.

Do szyn 220 kV przyłączone są dwa zastępcze systemy elektroenergetyczne, jeden o mocy zwarcioviej 8002 MVA, a drugi o mocy 20005 MVA, ale przy zwarciu w danym miejscu aktywny jest tylko jeden z nich. Mniejszy jest załączony przy zwarciu w punkcie oznaczonym F1, większy natomiast przy zwarciu w sieci SN – węzły F2, F3 i F4.

Transformator T z podobciążeniową regulacją przekładni wraz z generatorem G o mocy 250 MVA tworzą blok wytwórczy. W przypadku zwarcia w węzle F1 ich



Rys. 6. Testowa sieć SN zamodelowana w programie PlansSN

impedancja jest korygowana przez współczynnik określony wzorem (16). Przy zwarciu w punkcie F2 wyznaczane są udziały w prądzie zwarcia, pochodzące od generatora i poprzez transformator od systemu. Dlatego też używane są wówczas współczynniki określone wzorami (18a) oraz (18b). Dla zwarć w F3 i F4 istotny jest sumaryczny prąd pochodzący od generatora i systemu, w związku z czym mają zastosowanie współczynniki określone w równaniach (19a) i (19b).

Do obu szyn 10 kV, zasilanych z transformatora potrzeb własnych AT (ang. *auxiliary transformer*), przyłączonych jest bezpośrednio 21 silników o sumarycznej mocy 44,39 MW. Ponadto poprzez transformatory SN/nn przyłączone są silniki o łącznej mocy 10,1 MW. Bez szczegółowych rozważań można przyjąć, że ze względu na liczbę i sumaryczną moc tych silników analiza zwarć w punktach F2, F3 i F4 wymaga uwzględnienia ich pracy. W przypadku zwarcia w węźle F1 zostały przeanalizowane dwa warianty: z wyłączonymi oraz z załączonymi silnikami, aby sprawdzić ich wpływ na poziom prądu zwarciovego.

Do obliczeń został wykorzystany program PlansSN. Aplikacja jest dedykowana do analiz w sieci SN, umożliwia w prosty sposób modelowanie złożonych systemów poprzez wprowadzanie parametrów znamionowych jego elementów. Program wyznacza prądy zwarciovie zgodnie z normą PN-EN 60909, ale umożliwia również przeprowadzanie obliczeń bez uwzględniania współczynników poprawkowych.

6. Wyniki obliczeń

W tab. 2 zebrano wartości współczynników korygujących, obliczonych dla elementów sieci testowej. Należy zwrócić uwagę, że dla generatora oraz transformatora blokowego podane są po trzy wartości, w zależności od analizowanego miejsca zwarcia. Najniższą wartość, równą 0,913, osiąga współczynnik poprawkowy dla bloku generator-transformator w przypadku wyznaczania zwarcia na szynach 220 kV. Oznacza to, że impedancje tych dwóch elementów będą mniejsze, natomiast prąd zwarciovowy większy niż w obliczeniach bez uwzględniania współczynników. Przy wyznaczaniu prądu zwarcia w punktach F3 i F4, a więc wewnątrz sieci potrzeb własnych bloków, współczynnik poprawkowy dla transformatora blokowego osiąga wartość 1,214, wobec czego impedancja transformatora zostanie powiększona, a prąd zwarciovowy zmniejszy. Współczynniki wyznaczone dla pozostałych elementów są bliższe jedności, w związku z czym należy się spodziewać, że ich wpływ na impedancję i wartości prądów zwarciovych będzie mniejszy.

Element	K	Uwagi
G	0,913	zwarcie w F1
	0,994	zwarcie w F2 (udziały)
	0,994	zwarcie w F3 i F4
T	0,913	zwarcie w F1
	1,000	zwarcie w F2 (udziały)
	1,214	zwarcie w F3 i F4
AT	1,003	KTAB
	1,003	KTAC
	0,969	KTBC
T20, T26	0,963	
T15... 19 i T21... 25	1,009	

Tab. 2. Współczynniki korygujące impedancje elementów sieci testowej

Wyniki obliczeń prądów zwarciovych w poszczególnych węzłach sieci testowej zawiera tab. 3, przy czym w drugiej kolumnie są wartości wyznaczone wg zaleceń normy PN-EN 60909, natomiast w trzeciej kolumnie wartości uzyskane dla modeli bez współczynników poprawkowych. Potwierdzają one wnioski wyciągnięte z analizy wartości ujętych w tab. 2. W przypadku zwarcia w punkcie F1 (bez silników indukcyjnych) uwzględnienie współczynników spowodowało wzrost udziału prądu zwarcia pochodzący od bloku generator-transformator o prawie 10%. Dla zwarcia w sieci potrzeb własnych udział od generatora i od systemu (poprzez transformator blokowy) jest z kolei mniejszy o ok. 8% dla punktu F3 i o blisko 2% dla F4. Uwzględnienie współczynników poprawkowych w sieci testowej ma duży wpływ na wartość prądu zwarciovego, pochodzącego od drugiej sekcji z silnikami. Udział tego prądu rośnie o przeszło 20%, co oznacza zmianę o 200 A.

Praca silników podczas analizy zwarcia w węźle F1 powoduje wzrost udziału pochodzącego od bloku generator-transformator o 7%. Ponieważ jednak za wartość prądu zwarcia w punkcie F1 odpowiada przede wszystkim moc zwarciovą zastępczego systemu elektroenergetycznego, dlatego wpływ silników na całkowity prąd zwarcia jest znikomy i wynosi 0,6%.

Suma udziałów prądowych pochodzących od generatora I_{KG}^* i transformatora blokowego I_{KT}^* wyznaczona przy analizie zwarcia w węźle F2 wynosi 44 731 A + 46 811 A = 91 542 A. Jednak obliczony przy rozpatrywaniu zwarcia w punkcie F3 łączny udział od generatora i od systemu jest znacznie mniejszy i wynosi 83 781 A. Różnica wynika z przyjmowania różnych współczynników poprawkowych dla tych dwóch przypadków, co jest zalecane przez normę.

Wielkość	PN-EN 60909	Modele bez współczynników korygujących	Różnica
Zwarcie w F1 (bez silników)			
I_k^*	23 064	22 884	0,8%
I_{KT}^*	2 076	1 895	9,6%
Zwarcie w F1 (z udziałem silników)			
I_k^*	23 200	23 021	0,8%
I_{KT}^*	2 211	2 030	8,9%
Zwarcie w F2 (udziały)			
I_{KG}^*	44 731	44 473	0,6%
I_{KT}^*	46 811	46 811	0,0%
Zwarcie w F3			
I_k^*	90 100	97 663	-7,7%
I_{KG+T}^*	83 781	91 281	-8,2%
I_{KAT}^*	6 360	6 423	-1,0%
Zwarcie w F4			
I_k^*	28 706	28 853	-0,5%
I_{KAT}^*	18 404	18 552	-0,8%
$I_{KAT(HV)}^*$	8 647	8 816	-1,9%
$I_{KAT(TV)}^*$	1 119	927	20,7%
$I_{KT15...}^*$ I_{KT19}^*	381	382	-0,3%
I_{KT20}^*	383	379	1,1%
I_{KM1}^*	1 989	1 989	0,0%

Tab. 3. Wyniki obliczeń dla testowej sieci SN, wartości prądu w [A]

7. Wnioski

Wyznaczanie prądów zwarciovych jest istotne przy projektowaniu i eksploatacji systemu elektroenergetycznego. Sposób prowadzenia obliczeń powinien być zgodny z zaleceniami obowiązującej normy PN-EN 60909. O ile wykorzystywana przy tej okazji metoda Thevenina wraz z metodą potencjałów węzłowych jest znana i stosowana od lat, o tyle wprowadzone współczynniki korygujące stanowią istotną zmianę. Zgodnie z założeniami przyjętymi przez autorów normy, mają one na celu zrekomensować błędy wynikające z przyjętych założeń uproszczających.

Zamieszczone wyniki analizy zwarciovowej dla sieci testowej pokazują, że wprowadzone współczynniki korygujące mają znaczny wpływ na otrzymywane wartości prądów zwarciovych. W największym stopniu dotyczy to udziałów pochodzących od transformatorów i generatorów. Wraz z oddalaniem się od stacji zasilających, w szczególności w sieciach promieniowych, udział

transformatorów w impedancji zwarciowej Z_{kk} maleje, a zwiększa się udział pochodzący od przewodów i kabli. Ponieważ impedancje linii nie są korygowane współczynnikami, to wartości prądów zwarciowych wyznaczone wg zaleceń nowej, jak i poprzednich norm, będą w takim przypadku w większym stopniu zbieżne.

W bloku generator-transformator norma rozróżnia trzy przypadki, w zależności od miejsca zwarcia. Dla każdego z nich wprowadzone są inne wzory na współczynniki korygujące. W celu otrzymania poprawnych wyników ważne jest prawidłowe rozpoznanie rozważanego wariantu.

Bibliografia

1. Kujszczyk S. i in., Elektroenergetyczne układy przesyłowe, Warszawa 1997, s. 193–217.
2. Barnaś K. i in., Laboratorium podstaw elektroenergetyki, Warszawa 2003, s. 115–129.
3. Kacejko P., Machowski J., Zwarcia w systemach elektroenergetycznych, Warszawa 2002.
4. PN-EN 60909-0:2002, Prądy zwarciove w sieciach trójfazowych prądu przemiennego, Część 0: Obliczanie prądów.
5. IEC/TR 60909-1: Short-circuit currents in three-phase a.c. systems, Part 1: Factors for the calculation of short-circuit currents according to IEC 60909-0, 2002-07.
6. IEC/TR 60909-2: Short-circuit currents in three-phase a.c. systems, Part 2: Data of electrical equipment for short-circuit current calculations, 2008-11.
7. PN-EN 60909-3:2010: Prądy zwarciove w sieciach trójfazowych prądu przemiennego, Część 3: Prądy podwójnych, jednoczesnych i niezależnych, zwarc doziemnych i częściowe prądy zwarciove płynące w ziemi.
8. IEC/TR 60909-4: Short-circuit currents in three-phase a.c. systems, Part 4: Examples for the calculation of short-circuit currents, 2000-07.

Krzysztof Księżyk

dr inż.

PLANS

e-mail: krzysztof.ksiezzyk@plans.com.pl

Wychowanek Politechniki Warszawskiej. W latach 1999–2010 zatrudniony był na stanowisku asystenta w Instytucie Elektroenergetyki Politechniki Warszawskiej. Obecnie pracuje w firmie PLANS. Jego zainteresowania zawodowe dotyczą modelowania i analiz stanu pracy systemu elektroenergetycznego.

Tomasz Zdun

mgr inż.

PLANS

e-mail: tomasz.zdun@plans.com.pl

Absolwent Politechniki Warszawskiej. Przez 7 lat był pracownikiem naukowo-dydaktycznym swojej macierzystej uczelni. Obecnie pracuje w firmie PLANS jako programista i ekspert od systemów elektroenergetycznych. Zajmuje się rozwojem oprogramowania do analiz stanów pracy sieci przesyłowych i rozdzielczych.