

# Inertia Level Management Strategies in Synchronously Interconnected Power Systems

## Authors

Jacek Wasilewski  
 Zbigniew Lubośny

## Keywords

power system inertia, inertia optimization, RoCoF

## Abstract

The paper analyses possible strategies of maintaining a required inertia level by individual control blocs/areas in synchronously connected power systems. These strategies take into account the possible (significantly probable) divisions of a large system into asynchronous, unbalanced subsystems. The analysis includes different values of the allowable rate of change of frequency (RoCoF) in individual units and specific RoCoF statistics (other than maximum). These strategies require solving properly defined optimization tasks.

**DOI: 10.12736/issn.2300-3022.2017403**

Received: 14.02.2017

Accepted: 08.03.2017

Available online: 23.07.2018

## 1. Introduction

The National Power System (NPS) is part of a large, pan-European power system, the largest part of which is the Synchronous System of Continental Europe (SSCE). Each power system included in SSCE is an independent control block/area, and the areas/blocks are controlled by relevant transmission system operators (TSOs) in a coordinated manner within the ENTSO-E framework.

The generation mix changing towards an increasing share of renewable energy sources (RES) reduces the total moment of inertia of the masses rotating in SSCE and thus shifting the inertial frequency response to a stepwise imbalance of power generated and consumed towards the unit response [1–3].

Power unbalance of the system may develop because of a loss of the generation output (generating unit's disconnection from the grid) or in the case of unintentional division of SSCE into smaller, asynchronous subsystems in which power consumed prevails over power generated or vice versa. One of the values describing the power system operation dynamics after disturbance of the balance between generated and consumed powers is the rate of frequency change immediately after the disturbance (RoCoF). If frequency change (including frequency change rate) is the same throughout the power system, RoCoF is determined from the following dependence [4, 5]:

$$RoCoF = \frac{df}{dt} = \frac{\Delta P \cdot f_n}{2 \sum_{i \in G} S_{ni} H_i} \quad (1)$$

where:  $\Delta P$  – step wise unbalance between power in-take and out-take,  $f_n$  – rated system frequency (Hz),  $G$  – set of synchronous generators in the system (after disturbance) introducing natural inertia to the system's frequency response,  $S_{ni}$  – apparent power rating of the  $i$ -th generator (MVA), and  $H_i$  – so called constant inertia of the  $i$ -th generator (s).  $\sum_{i \in G} S_{ni} H_i$  in formula (1) is the total rotating masses energy in the system.

SSCE-wide analysis of allowable RoCoF is presented in [6, 7] among other references. The conclusions presented there show that the variability of the system's inertia (understood as energy accumulated in rotating masses of generating units with synchronous generators) is relevant only in the case of SSCE division into separated unbalanced subsystems, as was the case on November 4, 2006 (Fig. 1). As long as SSCE stays interconnected, neither the current nor forecast system inertia level is a key problem for the reference case of a power loss equal to 3000 MW, which was also demonstrated in [8, 9]. When analysing various events that occurred in recent years in SSCE, the potential RoCoF was estimated at  $\pm (0.5\text{--}1.0 \text{ Hz/s})$ , with active power relative imbalance of 20%. RoCoF of  $\pm 1.0 \text{ Hz/s}$  is permissible in view of safe operation of the power plant, including automatic protection systems [6]. In turn, the forecast generation mix, persistent

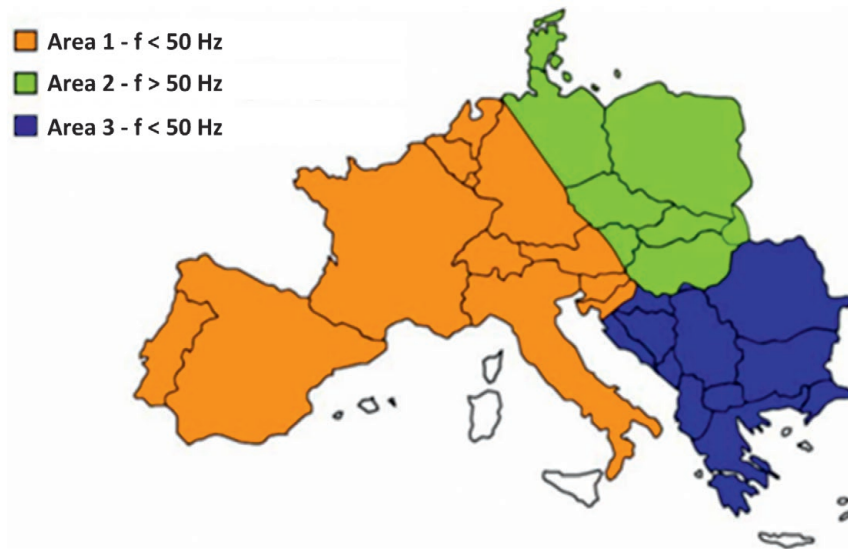


Fig. 1. SSCE division into subsystems November 4, 2006 [8]

trend of building high power generation units and increased inter-system exchange capacity point to the expected value of  $\pm 2.0$  Hz/s, with relative active power unbalance of 40% [7].

## 2. Defining the problem

The aim of this analysis is to define possible strategies of maintaining the required level of inertia by individual control blocks/areas within synchronous operation of interconnected power systems. These strategies take into account the possible (significantly probable) divisions of a large system into asynchronous, unbalanced subsystems. The analysis assumes that this division separates individual control blocs/areas. Thus, no division within blocks is considered. This assumption is a certain simplification, because in reality SSCE divisions develop between, as well as inside, blocks (Fig. 1).

When analysing inertia management strategies, the following should be taken into account:

- specific RoCoF statistics (RoCoF is a random variable resulting from the actual balance of parallel exchange and division into asynchronous subsystems)
- equal or non-equal value of the maximum RoCoF defined for individual blocks.

Subject to the analysis will be an example of a 4-block power system with a defined parallel exchange balance and level of inertia (energy of rotating masses), which is shown in Fig. 2.

It should be noted that in order to determine the acceptable minimum inertia due to the required RoCoF and power imbalance, it is not necessary to know the physical power flows between systems, but only their connections with which the possible divisions can be determined. Of course, it is assumed that the sum of powers within the parallel exchange is zero, i.e.  $\Delta P_A + \Delta P_B + \Delta P_C + \Delta P_D = 0$ . Interrelations of individual blocks (presented as an assumption) indicate that the full set of graph division options should be considered (characteristics of the full graph), with the assumption that only system divisions into two subsystems are substantially likely.

## 3. Inertia management strategies

### 3.1. Initial power system structure

In Tab. 1 data of the exchange balance and inertia of control blocks A, B, C, D. (Fig. 1) is presented. For each SEE division option the absolute value of RoCoF is determined, each of the quantities being expressed in relative units. The maximum, minimum and average values of all possible divisions were also calculated. From RoCoF values in Tab. 1 strong interdependence of blocks connecting into subsystems after a specific division can be concluded. The maximum values for individual blocks occur when blocks with the same exchange balance sign and low total inertia are merging.

Below, considerations regarding possible inertia management strategies in multi-system operation will be presented.

### 3.2. Strategy ensuring that the maximum RoCoF equal for all blocks is not exceeded in any case (MaxEq strategy)

The first considered inertia management strategy assumes one, common for all system blocks, limit (maximum) RoCoF (absolute value), which cannot be exceeded in any division option. Thus, it is considered to maintain the maximum RoCoF relative to the worst case. For each block the minimum level of inertia is set:

$$A_{kmin\ i} = \frac{|\Delta P|_i}{|RoCoF|_{max}}, \forall i \in \{A, B, C, D\} \quad (2)$$

Assuming  $|RoCoF|_{max} 1,5$ , for data from Tab. 1 leads to:

- $A_{kmin\ A} = 6,00$
- $A_{kmin\ B} = 1,33$
- $A_{kmin\ C} = 6,67$
- $A_{kmin\ D} = 0,67$ .

For the resulting inertias new RoCoF values were determined and are presented in Tab. 2.

Results in Tab. 2 indicate that the maximum RoCoF in a block will occur in two cases of system division:

- the block is separated to asynchronous operation
- the system division will cause the maximum imbalance.

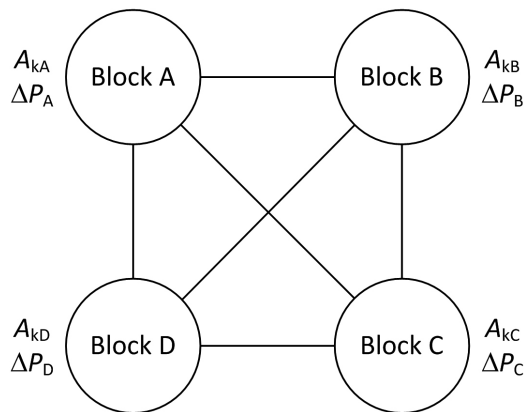


Fig. 2. Diagram of hypothetical synchronous power system and its division into control blocks

Block	A	B	C	D	
Inertia $A_k (-)$	5.00.	1.00	0.20	0.10	
Balance $\Delta P (-)$	9.00	2.00	-10.00	-1.00	
Division option	RoCoF  (-)				
A	BCD	1.800	<b>6.923</b>	6.923	6.923
B	ACD	0.377	2.000	0.377	0.377
C	ABD	1.639	1.639	<b>50.000</b>	1.639
D	ABC	0.161	0.161	0.161	10.000
AB	CD	<b>1.833</b>	1.833	36.667	<b>36.667</b>
AC	BD	0.192	0.909	0.192	0.909
AD	BC	1.569	6.667	6.667	1.569
<b>Maximum</b>		<b>1.833</b>	<b>6.923</b>	<b>50.000</b>	<b>36.667</b>
Average		1.082	2.876	14.427	8.298
Minimum		0.161	0.161	0.161	0.377

Tab. 1. Inertia, exchange balance, and RoCoFs of the system's initial structure

Block	A	B	C	D	
Inertia $A_k (-)$	6.00	1.33	6.67	0.67	
Balance $\Delta P (-)$	9.00.	2.00	-10.00	-1.00	
Division option	RoCoF  (-)				
A	BCD	<b>1.500</b>	1.038	1.038	1.038
B	ACD	0.150	<b>1.500</b>	0.150	0.150
C	ABD	1.250	1.250	<b>1.500</b>	1.250
D	ABC	0.071	0.071	0.071	<b>1.500</b>
AB	CD	<b>1.500</b>	<b>1.500</b>	<b>1.500</b>	<b>1.500</b>
AC	BD	0.079	0.500	0.079	0.500
AD	BC	1.200	1.000	1.000	1.200
<b>Maximum</b>		<b>1.500</b>	<b>1.500</b>	<b>1.500</b>	1.500

Tab. 2. Inertia, exchange balance, and RoCoF of the system structure aligned with MaxEq strategy

Block	A	B	C	D	
Inertia $A_k (-)$	6.00	0.50	100.00	5.00	
Balance $\Delta P (-)$	9.00	2.00	-10.00	-1.00	
Division option	RoCoF  (-)				
A	BCD	1.500	0.085	0.085	0.085
B	ACD	0.018	<b>4.000</b>	0.018	0.018
C	ABD	0.870	0.870	0.100	<b>0.870</b>
D	ABC	0.009	0.009	0.009	0.200
AB	CD	<b>1.692</b>	1.692	<b>0.105</b>	0.105
AC	BD	0.009	0.182	0.009	0.182
AD	BC	0.727	0.080	0.080	0.727
<b>Maximum</b>		<b>1.692</b>	<b>4.000</b>	<b>0.105</b>	<b>0.870</b>
<b>Allowed</b>		<b>1.500</b>	<b>4.000</b>	<b>0.100</b>	0.200

Tab. 3. Inertia, exchange balance, and RoCoF of the system structure initially aligned with MaxDif strategy

Block	A	B	C	D	
Inertia $A_k (-)$	26.09	2.17	434.78	21.74	
Weights $A_{wk} (-)$	6.00.	0.50	100.00	5.00	
Balance $\Delta P (-)$	9.00	2.00	-10.00	-1.00	
Division option	RoCoF  (-)				
A	BCD	0.345	0.020	0.020	0.020
B	ACD	0.004	<b>0.920</b>	0.004	0.004
C	ABD	0.200	0.200	0.023	<b>0.200</b>
D	ABC	0.002	0.002	0.002	0.046
AB	CD	<b>0.389</b>	0.389	<b>0.024</b>	0.024
AC	BD	0.002	0.042	0.002	0.042
AD	BC	0.167	0.018	0.018	0.167
<b>Maximum</b>		0.389	0.920	0.024	0.200
<b>Allowed</b>		1.500	4.000	0.100	0.200

Tab. 4. Inertia, exchange balance, and RoCoF of the system structure finally aligned with MaxDif strategy

Block	A	B	C	D	
Inertia $A_k (-)$	6.83	0.50	99.97	42.69	
Balance $\Delta P (-)$	9.00	2.00	-10.00	-1.00	
Division option	RoCoF  (-)				
A	BCD	1.317	0.063	0.063	0.063
B	ACD	0.013	<b>4.000</b>	0.013	0.013
C	ABD	0.200	0.200	<b>0.100</b>	<b>0.200</b>
D	ABC	0.009	0.009	0.009	0.023
AB	CD	<b>1.500</b>	1.500	0.077	0.077
AC	BD	0.009	0.023	0.009	0.023
AD	BC	0.162	0.080	0.080	0.162
<b>Maximum</b>		<b>1.500</b>	<b>4.000</b>	<b>0.100</b>	<b>0.200</b>
<b>Allowed</b>		<b>1.500</b>	4.000	0.100	0.200

Tab. 5. Inertia, exchange balance, and RoCoF of the system structure alternatively aligned with MaxDif strategy

This strategy can be summarized as follows: in order to maintain the maximum RoCoF at the most unfavourable SSCE division into asynchronous subsystems, each operator must ensure the inertia resulting from the ratio of parallel exchange balance to the required RoCoF level (the same for the entire SSCE), according to (2).

Maintaining a higher inertia than so designated, acceptable  $A_{kmin}$ , will result in the appearance of lower RoCoFs than the assumed 1.5.

A great advantage of this strategy of inertia management in a synchronous power system is the fact that TSOs independently calculate the minimum inertia for their control blocks/areas, using internal system data. In turn, a disadvantage of the solution is one maximum RoCoF for all blocks in SSCE.

### 3.3. Strategy ensuring that the block-specific maximum RoCoFs are not exceeded in any case (MaxDif strategy)

This strategy takes into account different maximum RoCoFs allowable in various systems. Such differentiation may result from the operating conditions of generating units in these blocks. The worst division option which leads to the maximum RoCoF.

Assuming specific RoCoFs allowed in individual blocks in the test system (Fig. 2) and using the relationship (2), RoCoF values were determined corresponding to the analysed events (system divisions) and imbalance conditions adopted in the initial system structure (Tab. 1). The results are shown in Tab. 3.

As indicated in Tab. 3, the use of formula (2) works only for the control blocks, for which the worst case from RoCoF point of view is separation from the rest of the system (separation of block B). In other cases, the resulting maximum RoCoFs exceed the allowed limits. From the RoCoF point of view the worst are divisions that create highly imbalanced subsystems (e.g.  $\pm 10$  pu,  $\pm 11$  pu). Thus, less-conditioned blocks (low allowed RoCoF and large exchange balance) affect other, better-conditioned blocks that are not able to maintain the allowed RoCoFs. Therefore, when looking for the required inertia values that the blocks should maintain, it is proposed to use the dependence (2) as weight to share in the global inertia of the entire system. The larger the balance and the smaller the required RoCoF - the greater the weight in the inertia of the entire SEE. The problem is an optimization task defined as follows (for the test system in Fig. 2):

Objective function:

$$\min_{A_{kSEE}} (\sum_{i \in \{A,B,C,D\}} (\max_{j \in J} (|RoCoF_{i,j}|) - |RoCoF_{dopi}|)) \quad (3)$$

subject to constraint:

$$\max_{i \in \{A,B,C,D\}} (\max_{j \in J} (|RoCoF_{i,j}|) - |RoCoF_{dopi}|) = 0 \quad (4)$$

where:  $J$  is a set of events leading to division of the system, i.e.  $J = \{(A|BCD), (B|ACD), (C|ABD), (D|ABC), (AB|CD), (AC|BD), (AD|BC)\}$ . The  $RoCoF_{i,j}$  which appears in (3) and (4), e.g. for  $i = B$  and  $j = (C|ABD)$  is determined as follows:

$$|RoCoF_{B,(C|ABD)}| = \frac{\sum_{m \in \{A,D\}} |\Delta D_m|}{\sum_{m \in \{A,D\}} A_{km}} \quad (5)$$

where:

$$\begin{aligned} A_{km} &= \frac{\frac{|\Delta P_m|}{RoCoF_{dopm}}}{\sum_{n \in \{A,B,C,D\}} \frac{|\Delta P_n|}{RoCoF_{dopn}}} A_{kSEE} = \\ &= \frac{A_{kwm}}{\sum_{n \in \{A,B,C,D\}} \frac{|\Delta P_n|}{RoCoF_{dopn}}} A_{kSee}, \forall m \in \{A, D\} \end{aligned} \quad (6)$$

The same applies to other possible pairs  $i, j$ .

The optimization problem is a task with a linear objective function with linear constraints, and thus can be solved using the linear programming technique.

Results of the test system optimization are presented in Tab. 4.

This strategy of inertia management with various allowed RoCoFs is intuitively simple. The idea of the required inertia's fair distribution consists in the determination of  $A_{kw}$  weight coefficients taking into account both the unbalance of a single block and the required level of RoCoF. The disadvantage of the strategy is oversizing of the required level of inertia in  $|J| - 1$  blocks.

An alternative strategy could be to obtain for all blocks/areas concurrent equality between the calculated maximum RoCoF and its allowed value, but always one of the blocks would gain at the expense of another.

Objective function (3) is transformed into a form in which independent decision variables are the kinetic energies in each block, i.e.

$$\min_{A_{kminA}, A_{kminB}, A_{kminC}, A_{kminD}} (\sum_{i \in \{A,B,C,D\}} (\max_{j \in J} (|RoCoF_{i,j}|) - |RoCoF_{dopi}|)) \quad (7)$$

Constraint (4) and  $RoCoF_{ij}$  (5) remain unchanged.

An example of such a solution (meeting the optimization criterion as a non-linear task) is shown in Tab. 5.

Comparison of results in Tab. 4 and 5 shows clearly that block "C" evidently has "gained" maintaining a smaller inertia at the expense of block "D". Block "D" seems to be "aggrieved" in this deal - its "own" inertia is small (weight of inertia in the system equal to 5.0 from formula (2)), and the determined minimum inertia exceeds its "own" over eight times. The surplus is "consumed" first of all by block "C", where relatively high requirements for allowed RoCoF have been set and at the same time the operation has been assumed with a large parallel exchange balance (weight of inertia in the system equal to 100.0 from formula (2)). An undeniable advantage of the strategy is the adequate sizing of the inertia required in the system, because the maximum observed RoCoFs are equal to those allowed in their blocks. The observed "injustice" of the required inertia's allocation means that this strategy should be supplemented with specific rules for settlements between control blocks/areas for support in maintaining inertia.

### 3.4. Strategy ensuring that block specific RoCoF statistics are not exceeded (StatDif strategy)

The previously discussed strategies were of a deterministic nature, i.e. they considered the worst possible case of disruption, assuming a significant probability of its occurrence (without quantifying it). In fact, RoCoF is a random variable whose value results from breaking specific links between the system's control blocks (e.g. Fig. 2), as well as from the parallel power exchange between blocks resulting in a particular balance. Therefore, RoCoF is a function of two groups of random variables:

graph representing SSCE and its division into disjoint subgraphs exchange balances in individual blocks (variable in time stochastic process).

Assuming that the discussed group of strategies is conducted for a given time, only the first of these groups of random variables

Block		A	B	C	D
Inertia $A_k (-)$		24.81	2.07	413.44	20.67
Weights $A_{wk} (-)$		6.00	0.50	100.00	5.00
Balance $\Delta P (-)$		9.00	2.00	-10.00	-1.00
Division option		RoCoF  (-)			
A	BCD	0.363	0.021	0.021	0.021
B	ACD	0.004	<b>0.967</b>	0.004	0.004
C	ABD	0.210	0.210	0.024	<b>0.210</b>
D	ABC	0.002	0.002	0.002	0.048
AB	CD	<b>0.409</b>	0.409	<b>0.025</b>	0.025
AC	BD	0.002	0.044	0.002	0.044
AD	BC	0.176	0.019	0.019	0.176
<b>Maximum</b>		<b>0.409</b>	<b>0.967</b>	<b>0.025</b>	<b>0.210</b>
<b>Quantile 0.95</b>		<b>0.385</b>	0.800	0.025	0.200
Allowed		1.500	4.000	0.100	0.200

Tab. 6. Inertia, exchange balance, and RoCoF of the system structure aligned with StatDif strategy

Block		A	B	C	D
Inertia $A_k (-)$		6.64	0.40	94.13	40.06
Balance $\Delta P (-)$		9.00	2.00	-10.00	-1.00
Division option		RoCoF  (-)			
A	BCD	1.355	0.067	0.067	0.067
B	ACD	0.014	<b>5.045</b>	0.014	0.014
C	ABD	0.212	0.212	<b>0.106</b>	<b>0.212</b>
D	ABC	0.010	0.010	0.010	0.025
AB	CD	<b>1.562</b>	1.562	0.082	0.082
AC	BD	0.010	0.025	0.010	0.025
AD	BC	0.171	0.085	0.085	0.171
<b>Maximum</b>		<b>1.562</b>	<b>5.045</b>	<b>0.106</b>	<b>0.212</b>
<b>Quantile 0.95</b>		<b>1.500</b>	<b>4.000</b>	<b>0.100</b>	<b>0.200</b>
<b>Allowed</b>		<b>1.500</b>	<b>4.000</b>	<b>0.100</b>	0.200

Tab. 7. Inertia, exchange balance, and RoCoF of the system structure alternatively aligned with StatDif strategy

remains in the considerations. Balance of parallel exchange is a definite deterministic state. For the purposes of discussing the strategy, it is also assumed that the probabilities of occurrence of each possible SSCE division are the same (discrete monotone distribution). Considering the RoCoFs in the initial system structure, RoCoF probability distributions are obtained, whose cumulative distributions are shown in Fig. 3.

Variables  $\Delta P_i$  where  $i \in \{A, B, C, D\}$  (block exchange balance) are deterministic coefficients in the optimization task, while variables  $A_{ki}$  (energy of rotating masses in blocks) are decision variables. The proposed optimization criterion is the quantile of the  $p$ -th order in uniform RoCoF distribution, e.g.  $p = 0,95$ . Referring to the RoCoF distributions shown in Fig. 3, the 0.95 order quantiles are:

- $|RoCoF_{A,0,95}|=1,82$
- $|RoCoF_{B,0,95}|=6,84$
- $|RoCoF_{C,0,95}|=46,00$
- $|RoCoF_{D,0,95}|=28,67.$

In summary, the optimization task in this strategy has the following objective function:

$$\min_{AKSEE} (\sum_{i \in \{A, B, C, D\}} (q_{0,95_{j \in j}}(|RoCoF_{i,j}|) - |RoCoF_{dopi}|)) \tag{8}$$

subject to constraint:

$$\max_{i \in \{A, B, C, D\}} (q_{0,95_{j \in j}}(|RoCoF_{i,j}|) - |RoCoF_{dopi}|) = 0 \tag{9}$$

The weighing approach is also considered in this case, and thus dependencies (5) and (6) apply.

Results of the test system's stochastic optimization are presented in Tab. 6. It may be concluded from comparison of results in Tab. 5 and 6 that the substitution of maximum RoCoF criterion with a statistic in the form of  $p$ -th order quantile, allows one to reduce the minimum inertia allowed in individual control blocks/areas to 95%, which corresponds to the assumed quantile order. Such a relation is obtained by the application of the task's linear model and the adoption of uniform probability distributions for the group of RoCoF variables. Similarly, an alternative strategy is considered to the MaxDif strategy to ensure that certain control block specific RoCoF statistics are not exceeded, i.e. RoCoF statistics calculated in all blocks are equal at the same time. Optimization calculation results for the alternative inertia management strategy are shown in Tab. 7.

It may be concluded from comparison of MaxDif strategy (Tab. 5) and StatDif strategy (Tab. 6) that less inertia is required in individual blocks if a non-maximum RoCoF statistic is used as the criterion. The problem of the required inertia's unfair distribution described earlier is also noticed here.

### 4. Summary

This paper presents and describes possible strategies of managing inertia of blocks/areas within SSCE. The focus is primarily on the system division into unbalanced, asynchronous subsystems. It may lead to the subsystems' power imbalance being larger than the loss of power at the system's integral operation.

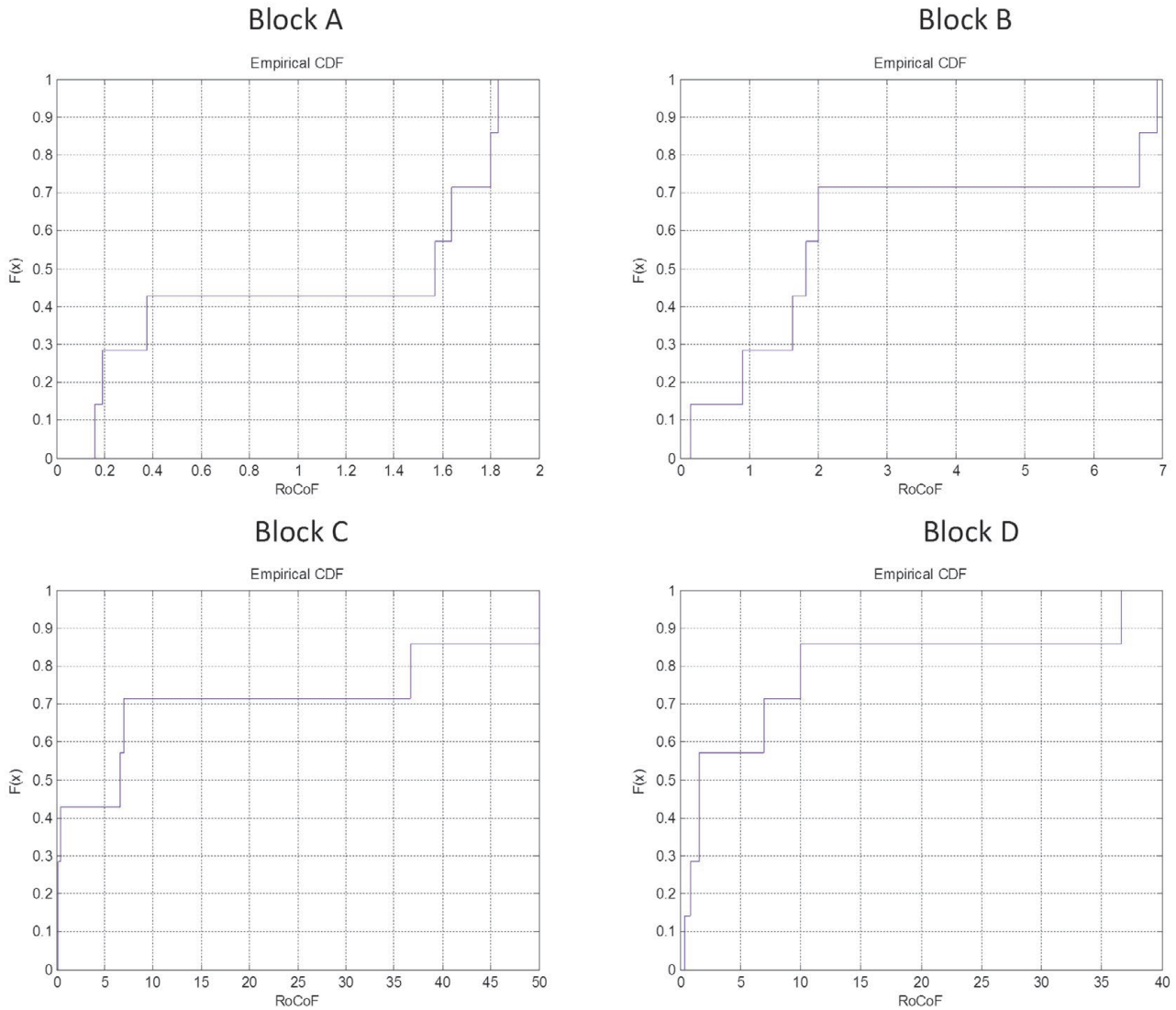


Fig. 3. Empirical cumulative distribution of uniform RoCoF distribution for individual control blocks in the test system

The expected RoCoF (as a variable) can be considered:

- deterministically as the maximum value, or
- as a random variable, and above all its specific statistics (e.g. expected value,  $p$ -th order quantile).

In turn, allowed limit RoCoF can be set:

- the same for all blocks in the system, or
- block-specific.

In view of the above, possible strategies of maintaining a required level of inertia by individual blocks/control areas were analysed at the entire system level. It was concluded that inertia level should be managed in individual control blocks/ areas in a coordinated manner (considering the system structure). The following inertia level management strategies were described and characterized:

- strategy ensuring that the maximum RoCoF equal for all blocks is not exceeded in any case (MaxEq)
- strategy ensuring that block-specific maximum RoCoFs are not exceeded in any case (MaxDif)
- strategy ensuring that block specific RoCoF statistics are not exceeded (StatDif).

In the MaxEq strategy, each control block operator must ensure inertia matching the parallel exchange balance to the required (the same throughout the system) RoCoF ratio. A great advantage of this strategy is that TSOs independently calculate the minimum inertia for their control blocks/areas, using internal system data. In turn, the solution's disadvantage is one maximum RoCoF for all blocks in SSCE. In the other two featured strategies (MaxDif, StatDif), optimization tasks are solved in relation to:

- total energy of rotating masses in SSCE allocated by own inertias (dependent on parallel exchange balance and required RoCoF) – basic version of the strategy
- of block-specific inertia levels – an alternative version of the strategy.

Strengths and weaknesses of each featured MaxDif and StatDif strategy version were reviewed in detail, but the simplest and most intuitive (not requiring advanced planning systems), and the most "fair" method of inertia management in SSCE is the MaxEq strategy.

## REFERENCES

---

1. Machowski J., Białek J.W., Bumby J., "Power System Dynamics: Stability and Control", John Wiley & Sons, 2008.
  2. Spahic E et al., "Impact of Reduced System Inertia on Stable Power System Operation and an Overview of Possible Solutions", CIGRE Paris Meeting, 2016.
  3. Kundur P., "Power System Stability and Control", McGraw-Hill 1994.
  4. Morren, J., Pierik, J., De Haan, S.W., "Inertial response of variable speed wind turbines", *Electric power systems research*, No. 76(11), 2006, pp. 980–987.
  5. Vyver Van de J, et al., "Droop control as an alternative inertial response strategy for the synthetic inertia on wind turbines", *IEEE Transactions on Power Systems*, Vol. 31, Iss. 2, 2016, pp. 1129–1138.
  6. Auswirkungen reduzierter Schwungmasse auf einen stabilen Netzbetrieb, German TSOs Report, April 2014.
  7. "Frequency Stability Evaluation Criteria for the Synchronous Zone of Continental Europe – Requirements and impacting factors", ENTSO-E: RG-CE System Protection & Dynamics Sub Group, March 2016.
  8. Wasilewski J., Lubośny Z., "Analiza rocznej zmienności inercji mas wirujących w elektroenergetycznym systemie synchronicznym kontynentalnej Europy w kontekście rozwoju i pracy OZE" [Analysis of the annual variability of inertia of rotating masses in the synchronous power system of continental Europe in the context of RES development and operation], *Electrical Power Networks EPNet* 2016, 19–21 Sept. 2016, Szklarska Poręba.
  9. "ERGEG Final Report", The lessons to be learned from the large disturbance in the European power system on the 4th of November 2006, 6 February 2007.
- 

### Jacek Wasilewski

PSE Innowacje sp. z o.o.

e-mail: wasilewj@o2.pl

Awarded the titles of Master of Science (2005) and Dr. of Engineering (2011) at the Faculty of Electrical Engineering of Warsaw University of Technology. Principal consultant at PSE Innowacje sp. o.o., where he conducts scientific and R&D works in development planning, operations planning, and operation of power grids and systems for the transmission system operator in Poland. Also a guest lecturer in the Institute of Power Engineering at Warsaw University of Technology.

### Zbigniew Lubośny

Gdańsk University of Technology

e-mail: zbilubos@pg.gda.pl

Graduated from the Faculty of Electrical and Control Engineering at Gdańsk University of Technology (1985), where he was also awarded doctoral (1991) and postdoctoral (1999) degrees. Since 2004 a professor of engineering sciences. Currently an associate professor at Gdańsk University of Technology. Areas of research interest: mathematical modelling, power system stability, power system control, use of artificial intelligence application in power system control, and modelling and control of wind turbines. Editor in Chief of *Acta Energetica*.

This is a supporting translation of the original text published in this issue of "Acta Energetica" on pages 27–33. When referring to the article please refer to the original text.

PL

## Strategie zarządzania poziomem inercji w synchronicznie połączonych systemach elektroenergetycznych

### Autorzy

Jacek Wasilewski  
Zbigniew Lubośny

### Słowa kluczowe

inercja systemu elektroenergetycznego, optymalizacja poziomu inercji, RoCoF

### Streszczenie

W artykule przeanalizowano możliwe strategie utrzymywania wymaganego poziomu inercji przez poszczególne bloki/obszary regulacyjne w połączonych synchronicznie systemach elektroenergetycznych. Strategie te uwzględniają możliwe (istotnie prawdopodobne) podziały dużego systemu na asynchroniczne, niezbilansowane podsystemy. W analizie uwzględniono m.in.: różne wartości dopuszczalnej szybkości zmiany częstotliwości (ang. RoCoF) w poszczególnych blokach oraz określone statystyki RoCoF (inne niż wartość maksymalna). Przedstawione strategie wymagają rozwiązywania odpowiednio zdefiniowanych zadań optymalizacyjnych.

Data wpływu do redakcji: 14.02.2017

Data akceptacji artykułu: 08.03.2017

Data publikacji online: 23.07.2018

### 1. Wprowadzenie

Krajowy System Elektroenergetyczny (KSE) jest częścią wielkiego, paneuropejskiego systemu elektroenergetycznego, którego największą część stanowi Synchroniczny System Kontynentalnej Europy (SSKE). Każdy z SEE wchodzących w skład SSKE jest niezależnym blokiem/obszarem regulacyjnym, przy czym sterowanie obszarami/blokami przez właściwych operatorów systemu przesyłowego (OSP) odbywa się w sposób skoordynowany w ramach struktur ENTSO-E.

Zmieniająca się struktura wytwórcza w kierunku coraz większego udziału odnawialnych źródeł energii (OZE) powoduje zmniejszenie sumarycznego momentu bezwładności mas wirujących w SSKE i tym samym przesuwania inercyjnej odpowiedzi częstotliwościowej spowodowanej skokowym niezbilansowaniem mocy wytwarzanej i pobieranej w kierunku odpowiedzi jednostkowej [1–3].

Niezbilansowanie mocowe systemu może powstać w wyniku ubytku generacji (wyłączenia z sieci jednostki wytwórczej) lub w przypadku nieintencjonalnego podziału SSKE na mniejsze, pracujące asynchronicznie podsystemy, w których pojawia się nadwyżka mocy pobieranej w stosunku do wytwarzanej lub odwrotnie. Jedną z wielkości opisujących dynamikę pracy SEE po zaburzeniu bilansu mocy czynnej wytwarzanej i pobieranej jest prędkość zmiany częstotliwości w chwili bezpośrednio po wystąpieniu zaburzenia (RoCoF). Zakładając, że zmiana częstotliwości (w tym prędkość zmiany częstotliwości) w każdym miejscu SEE jest jednakowa, RoCoF wyznacza się z następującej zależności [4, 5]:

$$\text{RoCoF} = \frac{df}{dt} = \frac{\Delta P \cdot f_n}{2 \sum_{i \in G} S_{ni} H_i} \quad (1)$$

gdzie:  $\Delta P$  – wielkość niezbilansowania mocy pobieranej i wytwarzanej o charakterze

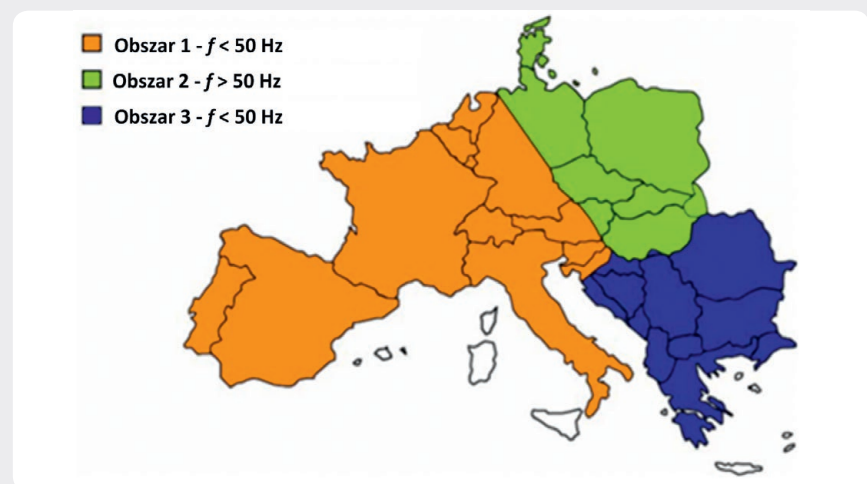
skokowym,  $f_n$  – częstotliwość znamionowa SEE (Hz),  $G$  – zbiór generatorów synchronicznych pracujących w SEE (po zakłóceniu) wprowadzających naturalną inercję do odpowiedzi częstotliwościowej SEE,  $S_{ni}$  – moc znamionowa pozorna  $i$ -tego generatora (MVA) oraz  $H_i$  jest tzw. stałą inercji  $i$ -tego generatora (s). Wielkość  $\sum_{i \in G} S_{ni} H_i$  we wzorze (1) stanowi sumaryczną energię mas wirujących w SEE.

Analizę dopuszczalnej wartości RoCoF w skali SSKE przedstawiono m.in. w [6, 7]. Z prezentowanych tam wniosków wynika, że zmienność inercji systemu (rozumianej jako energia zgromadzona w masach wirujących jednostek wytwórczych z generatorami synchronicznymi) jest istotna tylko w przypadku podziału SSKE na wydzielone niezbilansowane podsystemy, jak to miało miejsce 4 listopada 2006 (rys. 1). Jak długo SSKE pracuje połączony, aktualny i prognozowany poziom inercji SEE nie stanowi kluczowego

problemu dla referencyjnego przypadku ubytku mocy równego 3000 MW, co również wykazano w [8, 9]. Analizując różne zdarzenia, które miały miejsce w ostatnich latach w SSKE, potencjalną wartość RoCoF oszacowano na poziomie  $\pm(0,5-1,0 \text{ Hz/s})$ , przy względnym niezbilansowaniu mocy czynnej równym 20%. Wartość  $\pm 1,0 \text{ Hz/s}$  jest dopuszczalna ze względu na bezpieczną pracę elektrowni, w tym prawidłową pracę układów EAZ [6]. Z kolei prognozowana struktura wytwarzania, utrzymywane trendy w budowie JW o dużych mocach oraz zwiększone zdolności wymiany międzysystemowej wskazują na spodziewaną wartość  $\pm 2,0 \text{ Hz/s}$ , przy względnym niezbilansowaniu mocy czynnej równym 40% [7].

### 2. Zdefiniowanie problemu

Celem przedstawianej w artykule analizy jest określenie możliwych strategii utrzymywania wymaganego poziomu inercji



Rys. 1. Struktura podziału SSKE na podsystemy 4 listopada 2006 [8]



This is a supporting translation of the original text published in this issue of "Acta Energetica" on pages 27–33. When referring to the article please refer to the original text.

PL

przez poszczególne bloki/obszary regulacyjne w ramach pracy synchronicznej połączonych SEE. Strategie te uwzględniają możliwe (istotnie prawdopodobne) podziały dużego SEE na asynchroniczne, niezbilansowane podsystemy. W analizie zakłada się, że podział ten odbywa się między poszczególnymi blokami/obszarami regulacyjnymi. A zatem nie rozważa się podziału wewnątrz bloków. Przedstawione założenie jest pewnym uproszczeniem, gdyż w rzeczywistości podziały SSKE tworzą się jako między- i wewnątrzblokowe (rys. 1).

W analizie strategii zarządzania inercją należy wziąć pod uwagę:

- określoną statystykę RoCoF (RoCoF jest zmienną losową wynikającą z aktualnego salda wymiany równoległej oraz podziału na asynchroniczne podsystemy)
- jednakową lub niejednakową wartość maksymalnego RoCoF zdefiniowaną dla poszczególnych bloków.

Analiza zostanie przeprowadzona na przykładzie 4-blokowego SEE z określonym saldem wymiany równoległej oraz poziomem inercji (energii mas wirujących), co zostało przedstawione na rys. 2.

Należy zwrócić uwagę, że w celu określenia dopuszczalnej minimalnej inercji, ze względu na wymagany RoCoF oraz niezbilansowanie mocy, nie muszą być znane fizyczne przepływy mocy między systemami, a jedynie ich powiązania, za pomocą których będzie można określić możliwe podziały. Oczywiście zakłada się, że suma mocy w ramach wymiany równoległej wynosi zero, tj.  $\Delta P_A + \Delta P_B + \Delta P_C + \Delta P_D = 0$ . Wzajemne powiązania poszczególnych bloków (przedstawione jako założenie) wskazują, że powinno się rozważać pełen zbiór kombinacji podziałów grafu (właściwości tzw. grafu pełnego), przy czym zakłada się, że istotnie prawdopodobne są wyłącznie podziały SEE na dwa podsystemy.

### 3. Strategia zarządzania inercją

#### 3.1. Wyjściowa struktura SEE

W tab. 1 przedstawiono dane dotyczące salda wymiany oraz inercji każdego z rozważanych bloków regulacyjnych A, B, C, D. (rys. 2). Dla każdej z kombinacji podziału SEE wyznaczono wartość bezwzględną RoCoF, przy czym każda z wielkości wyrażona jest w jednostkach względnych. Obliczono także wartości funkcji maksimum, minimum i średnią względem wszystkich możliwych podziałów.

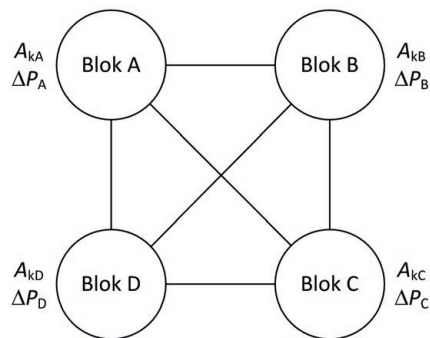
Z wartości RoCoF przedstawionych w tab. 1 wynika, że istnieje silna współzależność bloków łączących się w podsystemy po określonym podziale. Maksymalne wartości dla poszczególnych bloków występują w przypadku łączenia się bloków o tym samym znaku salda wymiany i niskiej sumarycznej inercji.

Poniżej zostaną zaprezentowane rozważania dotyczące możliwych strategii zarządzania inercją w warunkach pracy wielosystemowej.

#### 3.2. Strategia zapewniająca

nieprzekroczenie w żadnym przypadku maksymalnej wartości RoCoF równej dla wszystkich bloków (strategia MaxEq)

Pierwsza rozważana strategia zarządzania inercją zakłada jedną, wspólną dla wszystkich bloków SEE graniczną (maksymalną)



Rys. 2. Schemat hipotetycznego pracującego synchronicznie SEE z podziałem na bloki regulacyjne

Blok		A	B	C	D
Inercja $A_k$ (-)		5,00	1,00	0,20	0,10
Saldo $\Delta P$ (-)		9,00	2,00	-10,00	-1,00
Kombinacja podziału		RoCoF  (-)			
A	BCD	1,800	<b>6,923</b>	6,923	6,923
B	ACD	0,377	2,000	0,377	0,377
C	ABD	1,639	1,639	<b>50,000</b>	1,639
D	ABC	0,161	0,161	0,161	10,000
AB	CD	<b>1,833</b>	1,833	36,667	<b>36,667</b>
AC	BD	0,192	0,909	0,192	0,909
AD	BC	1,569	6,667	6,667	1,569
<b>Maksimum</b>		<b>1,833</b>	<b>6,923</b>	<b>50,000</b>	<b>36,667</b>
Średnia		1,082	2,876	14,427	8,298
Minimum		0,161	0,161	0,161	0,377

Tab. 1. Wielkości inercji, salda wymiany oraz RoCoF obrazujące wyjściową strukturę rozważanego SEE

Blok		A	B	C	D
Inercja $A_k$ (-)		6,00	1,33	6,67	0,67
Saldo $\Delta P$ (-)		9,00	2,00	-10,00	-1,00
Kombinacja podziału		RoCoF  (-)			
A	BCD	<b>1,500</b>	1,038	1,038	1,038
B	ACD	0,150	<b>1,500</b>	0,150	0,150
C	ABD	1,250	1,250	<b>1,500</b>	1,250
D	ABC	0,071	0,071	0,071	<b>1,500</b>
AB	CD	<b>1,500</b>	<b>1,500</b>	<b>1,500</b>	<b>1,500</b>
AC	BD	0,079	0,500	0,079	0,500
AD	BC	1,200	1,000	1,000	1,200
<b>Maksimum</b>		<b>1,500</b>	<b>1,500</b>	<b>1,500</b>	<b>1,500</b>

Tab. 2. Wielkości inercji, salda wymiany oraz RoCoF obrazujące strukturę rozważanego SEE, skorygowaną wg strategii MaxEq

wartość RoCoF (wartość bezwzględna), która nie może zostać przekroczona w żadnym wariantcie podziału. A zatem rozważa się utrzymanie maksymalnego RoCoF względem najgorszego przypadku. Dla każdego z bloków wyznacza się minimalny do utrzymania poziom inercji:

$$A_{kmin i} = \frac{|\Delta P_i|}{|RoCoF|_{max}}, \forall i \in \{A, B, C, D\} \quad (2)$$

Zakładając  $|RoCoF|_{max} = 1,5$ , dla danych z tab. 1 otrzymuje się:

- $A_{kmin A} = 6,00$
- $A_{kmin B} = 1,33$
- $A_{kmin C} = 6,67$
- $A_{kmin D} = 0,67$ .

Dla otrzymanych wartości inercji wyznaczono nowe wartości RoCoF, które przedstawiono w tab. 2.

Wyniki z tab. 2 wskazują, że maksymalna wartość RoCoF w danym bloku wystąpi w dwóch przypadkach podziału SEE:

- kiedy dany blok zostanie wydzielony do pracy asynchronicznej
- kiedy podział SEE spowoduje maksimum niezbilansowania.

This is a supporting translation of the original text published in this issue of "Acta Energetica" on pages 27–33. When referring to the article please refer to the original text.

PL

Blok		A	B	C	D
Inercja $A_k (-)$		6,00	0,50	100,00	5,00
Saldo $\Delta P (-)$		9,00	2,00	-10,00	-1,00
Kombinacja podziału		RoCoF  (-)			
A	BCD	1,500	0,085	0,085	0,085
B	ACD	0,018	<b>4,000</b>	0,018	0,018
C	ABD	0,870	0,870	0,100	<b>0,870</b>
D	ABC	0,009	0,009	0,009	0,200
AB	CD	<b>1,692</b>	1,692	<b>0,105</b>	0,105
AC	BD	0,009	0,182	0,009	0,182
AD	BC	0,727	0,080	0,080	0,727
<b>Maksimum</b>		<b>1,692</b>	<b>4,000</b>	<b>0,105</b>	<b>0,870</b>
<b>Wartość dop.</b>		<b>1,500</b>	<b>4,000</b>	<b>0,100</b>	<b>0,200</b>

Tab. 3. Wielkości inercji, salda wymiany oraz RoCoF obrazujące strukturę rozważanego SEE, wstępnie skorygowana wg strategii MaxDif

Blok		A	B	C	D
Inercja $A_k (-)$		26,09	2,17	434,78	21,74
Wagi $A_{wk} (-)$		6,00	0,50	100,00	5,00
Saldo $\Delta P (-)$		9,00	2,00	-10,00	-1,00
Kombinacja podziału		RoCoF  (-)			
A	BCD	0,345	0,020	0,020	0,020
B	ACD	0,004	<b>0,920</b>	0,004	0,004
C	ABD	0,200	0,200	0,023	<b>0,200</b>
D	ABC	0,002	0,002	0,002	0,046
AB	CD	<b>0,389</b>	0,389	<b>0,024</b>	0,024
AC	BD	0,002	0,042	0,002	0,042
AD	BC	0,167	0,018	0,018	0,167
<b>Maksimum</b>		<b>0,389</b>	<b>0,920</b>	<b>0,024</b>	<b>0,200</b>
<b>Wartość dop.</b>		<b>1,500</b>	<b>4,000</b>	<b>0,100</b>	0,200

Tab. 4. Wielkości inercji, salda wymiany oraz RoCoF obrazujące strukturę rozważanego SEE, ostatecznie skorygowana wg strategii MaxDif

Blok		A	B	C	D
Inercja $A_k (-)$		6,83	0,50	99,97	42,69
Saldo $\Delta P (-)$		9,00	2,00	-10,00	-1,00
Kombinacja podziału		RoCoF  (-)			
A	BCD	1,317	0,063	0,063	0,063
B	ACD	0,013	<b>4,000</b>	0,013	0,013
C	ABD	0,200	0,200	<b>0,100</b>	<b>0,200</b>
D	ABC	0,009	0,009	0,009	0,023
AB	CD	<b>1,500</b>	1,500	0,077	0,077
AC	BD	0,009	0,023	0,009	0,023
AD	BC	0,162	0,080	0,080	0,162
<b>Maksimum</b>		<b>1,500</b>	<b>4,000</b>	<b>0,100</b>	<b>0,200</b>
<b>Wartość dop.</b>		<b>1,500</b>	<b>4,000</b>	<b>0,100</b>	<b>0,200</b>

Tab. 5. Wielkości inercji, salda wymiany oraz RoCoF obrazujące alternatywnie skorygowaną strukturę rozważanego SEE wg strategii MaxDif

Strategię tę można podsumować następująco: aby utrzymać maksymalną wartość RoCoF przy najbardziej niekorzystnym podziale SSKE na asynchroniczne podsystemy, każdy z operatorów musi zapewnić inercję wynikającą ze stosunku salda

wymiany równoległej do wymaganego poziomu RoCoF (jednakowego dla całego SSKE), wg (2). Utrzymywanie wyższej inercji niż jej wyznaczona, dopuszczalna wartość  $A_{kmin}$  skutkować będzie pojawieniem

się niższych wartości RoCoF niż założona wartość 1,5.

Dużą zaletą omawianej strategii zarządzania inercją w połączonym synchronicznie SEE jest fakt, że OSP wykonują niezależnie od siebie obliczenia minimalnej inercji dla swoich bloków/obszarów regulacyjnych, korzystając z wewnętrznych danych systemowych. Z kolei wadą przedstawianego rozwiązania jest jedna wartość maksymalnego RoCoF dla wszystkich bloków wchodzących w skład SSKE.

**3.3. Strategia zapewniająca nieprzekroczenie w żadnym przypadku maksymalnej wartości RoCoF różnej dla wszystkich bloków (strategia MaxDif)**  
Kolejna omawiana strategia uwzględni różne wartości maksymalnego dopuszczalnego RoCoF dla poszczególnych SEE. Różnicowanie takie może wynikać z warunków pracy jednostek wytwórczych w tychże blokach. W dalszym ciągu rozważa się najgorszy przypadek podziału, który prowadzi do maksymalnej wartości RoCoF wśród wszystkich zdarzeń.

Przyjmując określone wartości dopuszczalnego RoCoF dla poszczególnych bloków w systemie testowym (rys. 2) oraz posługując się zależnością (2), wyznaczono wartości RoCoF odpowiadające analizowanemu zdarzeniu (podziałem SEE) i warunkom niezbilansowania przyjętym w strukturze wyjściowej SEE (tab. 1). Otrzymane wyniki przedstawiono w tab. 3.

Jak wynika z tab. 3, zastosowanie formuły (2) sprawdza się tylko dla bloków regulacyjnych, dla których najgorszym przypadkiem z punktu widzenia wartości RoCoF jest jego wydzielenie z pozostałej części SEE (wydzielenie bloku B). W pozostałych przypadkach, otrzymana wartość maksymalna RoCoF przekracza wartości dopuszczalne. Najgorsze zdarzenia z punktu widzenia RoCoF występują przy podziałach, w których powstają podsystemy o dużym niezbilansowaniu (np.  $\pm 10$  pu,  $\pm 11$  pu). A zatem bloki gorzej uwarunkowane (mała wartość dopuszczalnego RoCoF oraz duże saldo wymiany) wpływają na inne, lepiej uwarunkowane bloki, które nie są w stanie utrzymać dopuszczalnych wartości RoCoF. W związku z powyższym, poszukując wymaganych wartości inercji, którą dane bloki muszą utrzymać, proponuje się wykorzystać zależność (2) jako wagi do udziału w globalnej wartości inercji całego SEE. Im większe saldo oraz im mniejszy wymagany RoCoF – tym większa waga w pokryciu inercją całego SEE. Przedstawiony problem jest zadaniem optymalizacyjnym zdefiniowanym następująco (dla testowego SEE – rys. 2):

Funkcja celu:

$$\min_{A_{kSEE}} \left( \sum_{i \in \{A, B, C, D\}} \left( \max_{j \in \{i\}} (|RoCoF_{i,j}|) - |RoCoF_{dopi}| \right) \right) \quad (3)$$

przy ograniczeniu:

$$\max_{i \in \{A, B, C, D\}} \left( \max_{j \in \{i\}} (|RoCoF_{i,j}|) - |RoCoF_{dopi}| \right) = 0 \quad (4)$$

This is a supporting translation of the original text published in this issue of "Acta Energetica" on pages 27–33. When referring to the article please refer to the original text.

PL

gdzie:  $J$  jest zbiorem zdarzeń prowadzących do podziału analizowanego SEE, tj.  $J = \{ \langle A|BC \rangle, \langle B|ACD \rangle, \langle C|ABD \rangle, \langle D|ABC \rangle, \langle AB|CD \rangle, \langle AC|BD \rangle, \langle AD|BC \rangle \}$ .

Wielkość  $RoCoF_{i,j}$ , która występuje w (3) oraz (4), np. dla  $i = B$  oraz  $j = \langle C|ABD \rangle$  określa się w następujący sposób:

$$|RoCoF_{B,\langle C|ABD \rangle}| = \frac{\sum_{m \in \{A,D\}} |\Delta P_m|}{\sum_{m \in \{A,D\}} A_{km}} \quad (5)$$

gdzie:

$$A_{km} = \frac{\frac{|\Delta P_m|}{RoCoF_{dopm}}}{\sum_{n \in \{A,B,C,D\}} \frac{|\Delta P_n|}{RoCoF_{dopn}}} A_{kSEE} = \frac{A_{kwm}}{\sum_{n \in \{A,B,C,D\}} \frac{|\Delta P_n|}{RoCoF_{dopn}}} A_{kSEE}, \quad \forall m \in \{A, D\} \quad (6)$$

Analogicznie postępuje się dla innych możliwych par  $i, j$ .

Przedstawiony problem optymalizacyjny jest zadaniem z liniową funkcją celu z liniowymi ograniczeniami, a zatem może być rozwiązany za pomocą techniki programowania liniowego.

Wyniki optymalizacji dla systemu testowego przedstawiono w tab. 4.

Omawiana strategia zarządzania inercją w warunkach różnych dopuszczalnych wartości  $RoCoF$  jest intuicyjnie prosta. Idea sprawiedliwości rozdziału wymaganej inercji polega na wyznaczeniu współczynników wagowych  $A_{kw}$ , uwzględniających zarówno niezbilansowanie pojedynczego bloku, jak i wymagany poziom  $RoCoF$ . Wadą przedstawionej strategii jest przewymiarowanie wymaganego poziomu inercji w  $|J| - 1$  blokach.

Alternatywną strategią mogłoby być uzyskanie dla wszystkich bloków/obszarów jednoczesnej równości między obliczonym maksymalnym  $RoCoF$  a jego wartością dopuszczalną, przy czym zawsze któryś z bloków zyskiwałby kosztem drugiego.

Funkcję celu (3) przekształca się do postaci, w której niezależnymi zmiennymi decyzyjnymi są wielkości energii kinetycznej w każdym z rozpatrywanych bloków, tj.

$$\min_{A_{kminA}, A_{kminB}, A_{kminC}, A_{kminD}} \left( \sum_{i \in \{A,B,C,D\}} (\max_{j \in J} (|RoCoF_{i,j}|) - |RoCoF_{dopi}|) \right) \quad (7)$$

Ograniczenie (4) oraz postać  $RoCoF_{i,j}$  (5) pozostają bez zmian.

Przykładowe rozwiązanie takiego przypadku (spełniające kryterium optymalizacyjne jako zadania nieliniowego) pokazano w tab. 5.

Porównując wyniki przedstawione w tab. 4 i 5 widać wyraźnie, że blok „C” wyraźnie „zyskał” utrzymanie mniejszej inercji kosztem bloku „D”. Blok „D” wydaje się „pokrzywdzony” w tym układzie – posiada niewielką wartość inercji „własnej” (waga udziału inercji w SEE równą 5,0 ze wzoru (2)), a wyznaczona minimalna inercja przekracza jej wartość „własną” ponad osiem razy. Wyznaczoną nadwyżkę „konsumuje” przede wszystkim blok „C”, w którym postawiono jednocześnie względnie wysokie wymagania odnośnie

dopuszczalnego  $RoCoF$  oraz założono pracę z wysokim saldem wymiany równoległej (waga udziału inercji w SEE równa 100,0 ze wzoru (2)). Niewątpliwą zaletą przedstawianej strategii jest brak przewymiarowania wymaganej inercji w SEE, gdyż maksymalne zaobserwowane wartości  $RoCoF$  równe są wartościom dopuszczalnym dla danego bloku. Zaobserwowana „niesprawiedliwość” alokacji wymaganej inercji sprawia, że strategię tę należałoby uzupełnić określonymi zasadami rozliczeń między blokami/obszarami regulacyjnymi za wsparcie związane z utrzymaniem inercji.

### 3.4. Strategia zapewniająca nieprzekroczenie określonej statystyki $RoCoF$ różnej dla wszystkich bloków (strategia StatDif)

Poprzednio omawiane strategii miały charakter deterministyczny, tzn. uwzględniały najgorszy możliwy przypadek zakłócenia, przy założeniu istotnego prawdopodobieństwa jego zaistnienia (nie wnikając w nie ilościowo). W rzeczywistości zmienna  $RoCoF$  jest zmienną losową,

której wartość wynika zarówno z punktu widzenia zerwania określonych powiązań między blokami regulacyjnymi SEE (np. rys. 2), jak również prowadzonej przez bloki mocy wymiany równoległej, skutkującej określonym saldem. A zatem zmienność  $RoCoF$  jest funkcją dwóch grup zmiennych losowych:

- grafu reprezentującego SSKE i jego własności podziału na rozłączne podgrafy
- salda wymiany w poszczególnych blokach (proces stochastyczny zmieniający się w czasie).

Przyjmując, że omawiana grupa strategii jest prowadzona dla danego momentu czasowego, w rozważaniach pozostaje jedynie pierwsza z wymienionych grup zmiennych losowych. A saldo wymiany równoległej jest określonym stanem deterministycznym.

Dla celów omawiania strategii zakłada się również, że prawdopodobieństwo zaistnienia każdego z możliwych podziałów SSKE jest jednakowe (rozkład jednostajny dyskretny). Biorąc pod uwagę wartości  $RoCoF$  w strukturze wyjściowej SEE, otrzymuje się rozkłady prawdopodobieństwa

Blok		A	B	C	D
Inercja $A_k$ (-)		24,81	2,07	413,44	20,67
Wagi $A_{wk}$ (-)		6,00	0,50	100,00	5,00
Saldo $\Delta P$ (-)		9,00	2,00	-10,00	-1,00
Kombinacja podziału		RoCoF  (-)			
A	BCD	0,363	0,021	0,021	0,021
B	ACD	0,004	<b>0,967</b>	0,004	0,004
C	ABD	0,210	0,210	0,024	<b>0,210</b>
D	ABC	0,002	0,002	0,002	0,048
AB	CD	<b>0,409</b>	0,409	<b>0,025</b>	0,025
AC	BD	0,002	0,044	0,002	0,044
AD	BC	0,176	0,019	0,019	0,176
<b>Maksimum</b>		<b>0,409</b>	<b>0,967</b>	<b>0,025</b>	<b>0,210</b>
<b>Kwantyl 0,95</b>		<b>0,385</b>	<b>0,800</b>	<b>0,025</b>	<b>0,200</b>
<b>Wartość dop.</b>		<b>1,500</b>	<b>4,000</b>	<b>0,100</b>	<b>0,200</b>

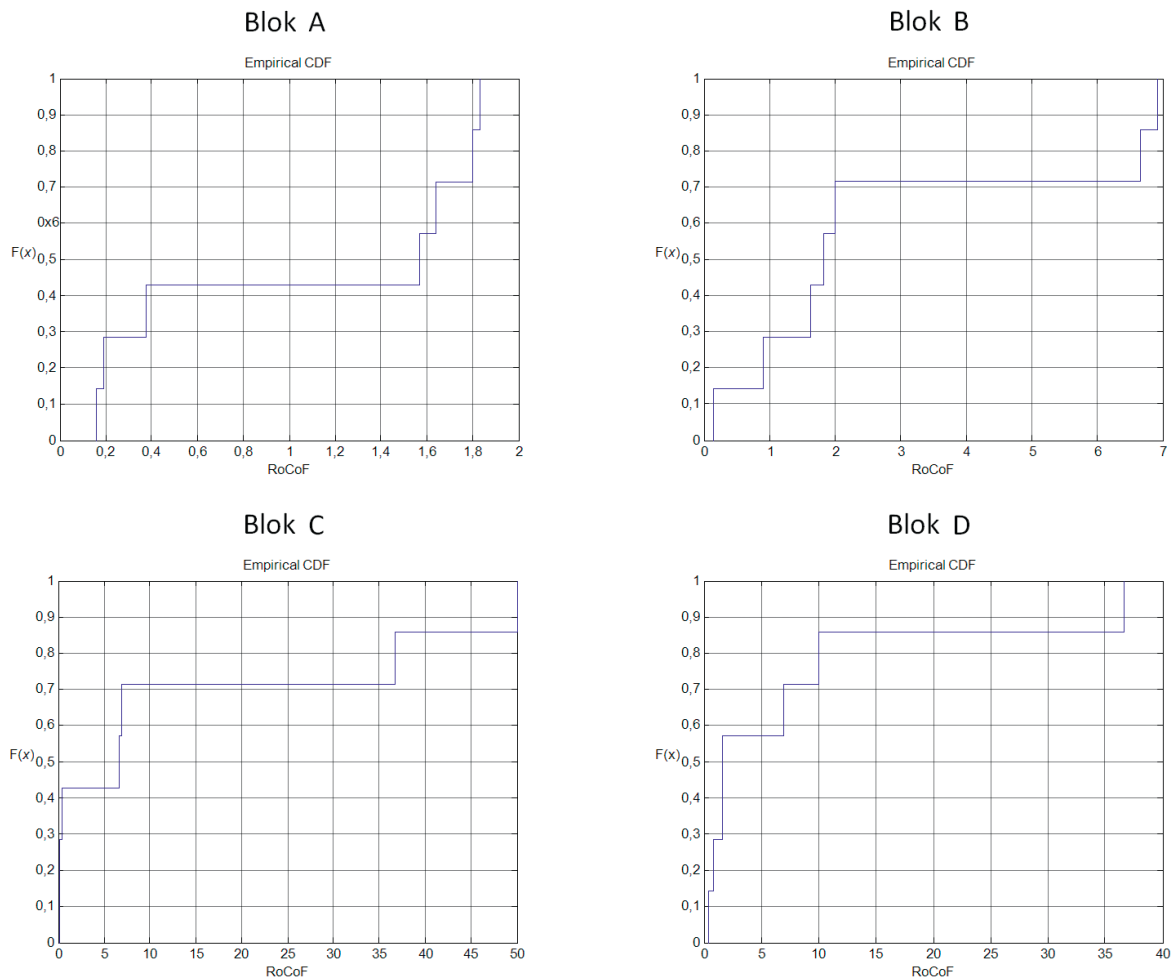
Tab. 6. Wielkości inercji, salda wymiany oraz  $RoCoF$  obrazujące strukturę rozważanego SEE, skorygowaną wg strategii StatDif

Blok		A	B	C	D
Inercja $A_k$ (-)		6,64	0,40	94,13	40,06
Saldo $\Delta P$ (-)		9,00	2,00	-10,00	-1,00
Kombinacja podziału		RoCoF  (-)			
A	BCD	1,355	0,067	0,067	0,067
B	ACD	0,014	<b>5,045</b>	0,014	0,014
C	ABD	0,212	0,212	<b>0,106</b>	<b>0,212</b>
D	ABC	0,010	0,010	0,010	0,025
AB	CD	<b>1,562</b>	1,562	0,082	0,082
AC	BD	0,010	0,025	0,010	0,025
AD	BC	0,171	0,085	0,085	0,171
<b>Maksimum</b>		<b>1,562</b>	<b>5,045</b>	<b>0,106</b>	<b>0,212</b>
<b>Kwantyl 0,95</b>		<b>1,500</b>	<b>4,000</b>	<b>0,100</b>	<b>0,200</b>
<b>Wartość dop.</b>		<b>1,500</b>	<b>4,000</b>	<b>0,100</b>	<b>0,200</b>

Tab. 7. Wielkości inercji, salda wymiany oraz  $RoCoF$  obrazujące alternatywnie skorygowaną strukturę rozważanego SEE wg strategii StatDif

This is a supporting translation of the original text published in this issue of "Acta Energetica" on pages 27–33. When referring to the article please refer to the original text.

PL



Rys. 3. Dystrybuanta empiryczna rozkładu jednostajnego RoCoF dla poszczególnych bloków regulacyjnych w testowym SEE

RoCoF, których dystrybuanty przedstawiono na rys. 3.

Zmienne  $\Delta P_i$  gdzie  $i \in \{A, B, C, D\}$  (saldo wymiany bloków) stanowią deterministyczne współczynniki w zadaniu optymalizacyjnym, natomiast zmienne  $A_{ki}$  (energia mas wirujących w blokach) są zmiennymi decyzyjnymi. Jako kryterium optymalizacyjne proponuje się przyjąć kwantyl  $p$ -tego rzędu w jednostajnym rozkładzie zmiennej RoCoF, np.  $p = 0,95$ . Nawiązując do rozkładów RoCoF przedstawionych na rys. 3, kwantyle rzędu 0,95 wynoszą:

- $|\text{RoCoF}_{A,q_{0,95}}| = 1,82$
- $|\text{RoCoF}_{B,q_{0,95}}| = 6,84$
- $|\text{RoCoF}_{C,q_{0,95}}| = 46,00$
- $|\text{RoCoF}_{D,q_{0,95}}| = 28,67$ .

Podsumowując, zadanie optymalizacyjne w omawianej strategii ma następującą funkcję celu:

$$\min_{A_{k\text{SEE}}} \left( \sum_{i \in \{A,B,C,D\}} (q_{0,95,j_{E_j}}(|\text{RoCoF}_{i,j}|) - |\text{RoCoF}_{\text{dop}i}|) \right) \quad (8)$$

przy ograniczeniu:

$$\max_{i \in \{A,B,C,D\}} (q_{0,95,j_{E_j}}(|\text{RoCoF}_{i,j}|) - |\text{RoCoF}_{\text{dop}i}|) = 0 \quad (9)$$

Rozważa się w tym przypadku również podejście wagowe, a zatem obowiązują zależności (5) i (6).

Wyniki optymalizacji stochastycznej dla systemu testowego przedstawiono w tab. 6. Porównując wyniki w tab. 5 i 6, można stwierdzić, że zrezygnowanie z kryterium maksymalnego RoCoF na rzecz statystyki w postaci kwantylu  $p$ -tego rzędu pozwala na zmniejszenie dopuszczalnej minimalnej inercji w poszczególnych blokach/obszarach regulacyjnych w stosunku 0,95, co odpowiada założonemu rzędowi kwantylu. Uzyskanie takiej relacji wynika z zastosowania modelu liniowego zadania oraz przyjęcia jednostajnych rozkładów prawdopodobieństwa dla grupy zmiennych RoCoF. Podobnie jak w strategii MaxDif rozważa się alternatywną strategię zapewniającą nieprzekroczenie określonej statystyki RoCoF różnej dla wszystkich bloków regulacyjnych, a mianowicie uzyskanie dla wszystkich bloków/obszarów jednoczesnej

równości między obliczonymi statystykami RoCoF. Wyniki obliczeń optymalizacyjnych dla alternatywnej strategii zarządzania inercją pokazano w tab. 7.

Porównując wyniki alternatywnych strategii MaxDif (tab. 5) oraz StatDif (tab. 6), można zaobserwować zmniejszenie wymaganej inercji w poszczególnych blokach, jeśli jako kryterium stosuje się statystykę niebędącą maksimum RoCoF. Pozostaje przy tym zauważony i opisany wcześniej problem niesprawiedliwego rozdziału wymaganej inercji.

#### 4. Podsumowanie

W niniejszym artykule przedstawiono i scharakteryzowano możliwe strategie zarządzania inercją bloków/obszarów pracujących w ramach SSKE. Skoncentrowano się przede wszystkim na przypadku podziału SEE na niezbilansowane, asynchronicznie pracujące podsystemy. W takich sytuacjach może dojść do większych wartości niezbilansowania mocy powstałych podsystemów niż ubytek mocy podczas integralnej pracy SEE. Spodziewany RoCoF (jako zmienna) może być rozpatrywany:

- deterministycznie jako wartość możliwie maksymalna lub

This is a supporting translation of the original text published in this issue of "Acta Energetica" on pages 27–33. When referring to the article please refer to the original text.

PL

- jako zmienna losowa, a przede wszystkim jej określone statystyki (np. wartość oczekiwana, kwantyl  $p$ -tego rzędu). Z kolei RoCoF jako wartość dopuszczalna może być ustalona:
- taka sama dla wszystkich bloków w SEE lub
- różna dla każdego bloku oddzielnie.

Uwzględniając powyższe, przeanalizowano możliwe strategie utrzymywania na poziomie całego SEE wymaganego poziomu inercji przez poszczególne bloki/obszary regulacyjne. Wskazano, że zarządzanie poziomem inercji powinno się odbywać na poziomie poszczególnych bloków/obszarów regulacyjnych w skoordynowany ze sobą sposób (uwzględniając strukturę SEE). Opisano i scharakteryzowano następujące strategie zarządzania poziomem inercji:

- strategia zapewniająca nieprzekroczenie w żadnym przypadku maksymalnej wartości RoCoF równej dla wszystkich bloków (MaxEq)
- strategia zapewniająca nieprzekroczenie w żadnym przypadku maksymalnej wartości RoCoF różnej dla wszystkich bloków (MaxDif)
- strategia zapewniająca nieprzekroczenie określonej statystyki RoCoF różnej dla wszystkich bloków regulacyjnych (StatDif).

W strategii MaxEq każdy z operatorów bloku regulacyjnego musi zapewnić inercję wynikającą ze stosunku salda wymiany

równoległej do wymaganego poziomu RoCoF (jednakowego dla całego SSKE). Dużą zaletą tej strategii jest fakt, że OSP wykonują niezależnie od siebie obliczenia minimalnej inercji dla swoich bloków/obszarów regulacyjnych, korzystając z wewnętrznych danych. Z kolei wadą przedstawianego rozwiązania jest jedna wartość maksymalnego RoCoF dla wszystkich bloków wchodzących w skład SSKE.

W pozostałych dwóch przedstawianych strategiach (MaxDif, StatDif) rozwiązuje się zadania optymalizacyjne względem:

- całkowitego poziomu energii mas wirujących w SSKE alokowanych wg tzw. inercji własnych (wynikających z salda wymiany równoległej i wymagane wartości RoCoF) – wersja podstawowa strategii
- niezależnych poziomów inercji w poszczególnych blokach – wersja alternatywna strategii.

Dla każdej z przedstawionych wersji strategii MaxDif oraz StatDif scharakteryzowano szczegółowo zalety i wady, jednak najprostszą i najbardziej intuicyjną (niewymagającą zaawansowanych systemów planistycznych), a zarazem najbardziej „sprawiedliwą” metodą zarządzania inercją w SSKE jest strategia MaxEq.

#### Bibliografia

1. Machowski J., Bialek J.W., Bumby J., Power System Dynamics: Stability and Control, John Wiley & Sons, 2008.

2. Spahic E. i in., Impact of Reduced System Inertia on Stable Power System Operation and an Overview of Possible Solutions, CIGRE Paris Meeting, 2016.
3. Kundur P., Power System Stability and Control, McGraw-Hill 1994.
4. Morren, J., Pierik, J., De Haan S.W., Inertial response of variable speed wind turbines, *Electric Power Systems Research* 2006, nr 76(11), 980–987.
5. Vyver van de J., i in., Droop control as an alternative inertial response strategy for the synthetic inertia on wind turbines, *IEEE Transactions on Power Systems* 2016, Vol. 31, Iss. 2, s. 1129–1138.
6. Auswirkungen reduzierter Schwungmasse auf einen stabilen Netzbetrieb, German TSO's Report, April 2014.
7. Frequency Stability Evaluation Criteria for the Synchronous Zone of Continental Europe – Requirements and impacting factors, ENTSO-E: RG-CE System Protection & Dynamics Sub Group, March 2016.
8. Wasilewski J., Lubośny Z., Analiza rocznej zmienności inercji mas wirujących w elektroenergetycznym systemie synchronicznym kontynentalnej Europy w kontekście rozwoju i pracy OZE, *Electrical Power Networks EPNet* 2016, 19–21 września 2016, Szklarska Poręba.
9. ERGEG Final Report, The lessons to be learned from the large disturbance in the European power system on the 4th of November 2006, 6 February 2007.

#### Jacek Wasilewski

dr inż.

PSE Innowacje sp. z o.o.

e-mail: wasilewj@o2.pl

Tytuł magistra inżyniera (2005) oraz doktora inżyniera (2011) uzyskał na Wydziale Elektrycznym Politechniki Warszawskiej. Jest zatrudniony na stanowisku głównego konsultanta w PSE Innowacje sp. z o.o., gdzie prowadzi prace naukowo-badawcze i badawczo-rozwojowe dla operatora systemu przesyłowego w Polsce w zakresie planowania rozwoju, planowania pracy oraz eksploatacji sieci i systemów elektroenergetycznych. Współpracuje również jako wykładowca z Instytutem Elektroenergetyki Politechniki Warszawskiej.

#### Zbigniew Lubośny

prof. dr hab. inż.

Politechnika Gdańska

e-mail: zbilubos@pg.gda.pl

Ukończył studia na Wydziale Elektrotechniki i Automatyki Politechniki Gdańskiej (1985), na tej samej uczelni obronił pracę doktorską (1991) i uzyskał stopień doktora habilitowanego (1999). Od 2004 roku posiada tytuł profesora nauk technicznych. Jest zatrudniony na Politechnice Gdańskiej na stanowisku profesora nadzwyczajnego. Obszar jego zainteresowań badawczych to: modelowanie matematyczne, stabilność systemu elektroenergetycznego, sterowanie systemem elektroenergetycznym, zastosowanie sztucznej inteligencji do sterowania systemem elektroenergetycznym, modelowanie i sterowanie elektrowniami wiatrowymi. Redaktor naczelny kwartalnika *Acta Energetica*.