

GROUND LEAKAGE CURRENT CAUSED BY COMMON-MODE VOLTAGE OF PWM INVERTER

Jerzy Ryszard Szymański¹, Marta Żurek-Mortka^{2*}

¹Kazimierz Pulaski University of Technology and Humanities in Radom, Faculty of Transport, Electrical Engineering and Computer Science, Malczewski Street 29, 26-600 Radom, Poland, email: j.szymanski@uthrad.pl

²Kazimierz Pulaski University of Technology and Humanities in Radom, Faculty of Transport, Electrical Engineering and Computer Science, Malczewski Street 29, 26-600 Radom, Poland, email: m.zurek-mortka@uthrad.pl

*Corresponding author

Reviewed positively: 28.05.2019

Information about quoting an article:

Szymański J.R., Żurek-Mortka M. (2019). Ground Leakage Current Caused by Common-Mode Voltage of PWM inverter. Journal of civil engineering and transport. 1(1), 15-25. DOI: 10.24136/tren.2019.002

Abstract – In railway tractive vehicles, three-phase PWM (Pulse Width Modulation) inverters generate parasitic Differential-Mode Voltages (DMV) and Common-Mode Voltages (CMV). Parasitic voltages are a side effect of using the width modulation to shape the phase-to-phase inverter's voltage. In this article, the authors present a mathematical description of the DM and CM voltages and carry out their spectral analysis. Based on the spectral harmonics analysis, the authors present a method for filtration of harmonics of DM and CM voltages aimed at limiting the capacitance parasitic currents: due to DM voltage – phase-to-phase parasitic current and CM voltage – ground parasitic currents. As the final result of the tests, almost complete elimination of leakage parasitic current from PE shock protection system was achieved.

Keywords – common-mode voltage, differential-mode voltage, PWM modulation, three-phase traction voltage inverter, two-level PWM inverter

INTRODUCTION

Ground currents of high frequency disturbances are caused by the common-mode voltage (CM) u_{CM} of the inverter. The basic harmonic of this voltage has the frequency resulting from the switching frequency of the inverter's semiconductor valves. In industrial applications, the capacitive ground leakage current forced by the CM voltage of the inverter flows to the transformer in the TN (ang. *ground-neutral*) system through a grounded star connection of the secondary windings. In IT (ang. *isolation-ground*) system (or High Resistance Grounded network - HGR) of the industrial power supply system the ground leakage current flows through the parasitic capacitances between the ground and the ungrounded star connection of the transformer's secondary windings. In an industrial power system with an IT transformer network type, the CM voltage of the inverter, which is deposited on the parasitic capacitances between the ground and the ungrounded star connection of the secondary windings of the transformer, causes high frequency disturbances of voltages in transformer. In that case the CM voltage of the inverter adds to the phase voltages of the transformer.

In DC voltage traction network, the voltage inverters in auxiliary equipment drives (traction substations, railway stations) are powered by the industrial power network,

therefore the analysis of parasitic phenomena is the same as for industrial inverter drives. Analysis of the dissemination of parasitic capacitive ground leakage current arising from CM voltage of traction inverters of the main locomotive drives must take into account the grounding of the negative pole of the drive locomotive inverter and the grounding of the negative rectifier's pole in the traction substation. The analysis of CM and DM voltage is complex and requires a thorough research [1].

Two-level voltage PWM inverters are commonly used for supplying three-phase induction motors in industrial low-voltage networks and for traction motors in the DC and AC railway traction. Lack of effective methods for reducing the negative impact of parasitic CM and DM voltages is the cause for increased risk of fault to loads powered from a common transformer [2-3]. In addition, there is risk of electric shock related to the leakage current caused by the CM voltage in inverters. During the operation of motors in a potentially explosive zone, the earth leakage current can cause sparking, provoking an explosion even if the motor's rotor speed is near zero.

The literature describes the cases of damage to converters due to leakage currents caused by the CM and DM voltages [2]. A variety of methods have been proposed in literatures [4-8] to address the CM and DM noise problem and its related issues. The exact CM and DM equivalent

Ground Leakage Current Caused by Common-Mode Voltage of PWM Inverter

circuits of PWM inverter in drive systems derived by taking the rectifier into account was presented in [9]. Besides, an improved LCL filter using in transformer-less three-level photovoltaic inverter system for leakage current suppression was presented in [10]. The minimization of current harmonics in an alternating voltage grid is discussed in the literature [11-12].

This paper is organized as follow: the first two parts is about the mathematical and analytical description of CM and DM voltages of the inverter. The next part is about the studies on the CM and DM voltage of the inverter using analytical and computer methods and verified then by the experimental results. In the final part of paper, a power supply system for the traction drive was proposed, in which high frequency disturbance currents created as a result of CM and DM voltage by PWM inverters were eliminated.

I. MATHEMATICAL DESCRIPTION OF A LINEAR THREE-PHASE INVERTER MODEL

The transformation of DC voltage into single-phase and three-phase AC voltage, with the use of the power-electronic PWM inverter has side effects such as the CM voltages [9, 13]. In this chapter, the mathematical relations describing the voltage of the common mode disturbances were derived bases on the description of the three-phase linear model of PWM inverter. The three-phase two-level traction inverter is shown in Figure 1. It consists of three identical branches of half-bridges in each phase and this three-phase system is symmetrical for individual harmonics. In modeling and analyzing the inverter, a three-phase notation is used [1, 14].

On the basis of the description of the three-phase inverter, a mathematical relationship is determined describing the CM voltage of the inverter with the grounded

negative rail of DC voltage supply (traction inverters) and without galvanic ground of the power-electronic elements (industrial inverters and auxiliary railway equipment inverters) [1, 14].

The output phase-to-phase voltages of the inverter are described by (1):

$$\begin{aligned} u_{AB} &= u_{AG} - u_{BG} \\ u_{BC} &= u_{BG} - u_{CG} \\ u_{CA} &= u_{CG} - u_{AG} \end{aligned} \quad (1)$$

where: u_{AG} , u_{BG} , u_{CG} are instantaneous voltages, which satisfy the condition (2):

$$u_{AB} + u_{BC} + u_{CA} = 0 \quad (2)$$

If the load neutral point N is not connected to the reference point G on the DC voltage side (Fig. 1), the phase voltages can be expressed as (3):

$$\begin{aligned} u_{AN} &= \frac{1}{3}(2u_{AG} - u_{BG} - u_{CG}) \\ u_{BN} &= \frac{1}{3}(-u_{AG} + 2u_{BG} - u_{CG}) \\ u_{CN} &= \frac{1}{3}(-u_{AG} - u_{BG} + 2u_{CG}) \end{aligned} \quad (3)$$

By describing the switching states of inverter S_A , S_B , S_C with 0 and 1 (e.g. $S_A=1$, indicates the state in which the transistor in phase A is switched on, and $S_A=0$, when the lower transistor in phase A is switched off) the output phase-to-phase voltages can be presented as follows (4):

$$\begin{aligned} u_{AB} &= U_d(S_A - S_B) \\ u_{BC} &= U_d(S_B - S_C) \\ u_{CA} &= U_d(S_C - S_A) \end{aligned} \quad (4)$$

Similarly for a symmetrical load the phase voltages are expressed by (5):

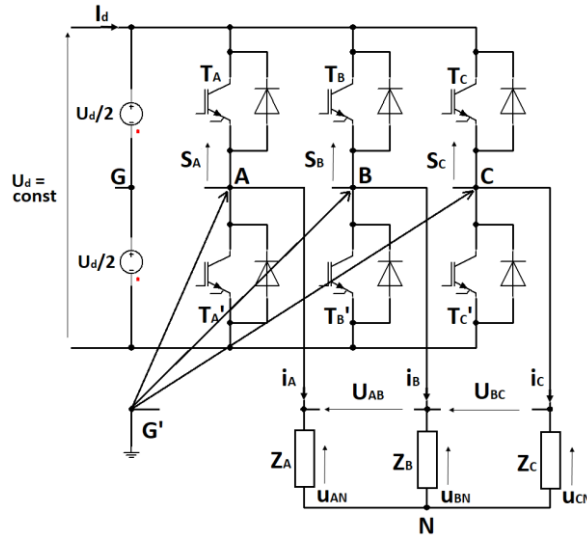


Fig. 1. Three-phase two-level traction inverter

$$\begin{aligned} u_{AN} &= \frac{U_d}{3}(2S_A - S_B - S_C) \\ u_{BN} &= \frac{U_d}{3}(-S_A + 2S_B - S_C) \\ u_{CN} &= \frac{U_d}{3}(-S_A - S_B + 2S_C) \end{aligned} \quad (5)$$

If the G point is grounded in Figure 1, then the u_{NG} voltage is

$$u_{AG} + u_{BG} + u_{CG} = u_{AN} + u_{BN} + u_{CN} + 3u_{NG} \quad (7)$$

Since $u_{AG} + u_{BG} + u_{CG} = 0$, the CM voltage u_{NG} of inverter is determined by (8):

$$u_{NG} = \frac{u_{AN} + u_{BN} + u_{CN}}{3} \quad (8)$$

The relation (8), CM voltage of inverter is equal to voltage with respect to another ground point, e.g. G' (Fig.1), which is not galvanically connected to the inverter's electrical circuit (e.g. relative to the protective PE ground of the drive system). However, if the ground potential point G' is shorted with the negative DC voltage bus, as in the traction inverters supplied with the DC traction's network, then according to Figure 1 the voltage $u_{GG'} = U_d/2$ and then the following applies (9) [14]:

$$u_{NG'} = u_{NG} + u_{GG'} = u_{NG} + \frac{U_d}{2} \quad (9)$$

After taking into account (9) and the voltage from equations (6), a dependency considering the sum is obtained (10):

$$u_{NG'} = \frac{u_{AN} + u_{BN} + u_{CN}}{3} + \frac{1}{2}U_d \quad (10)$$

From (10) a conclusion can be drawn that the grounding of the negative DC voltage bus of the inverter (i.e. like as in

Phase voltages of inverter can be described by (11):

$$\begin{aligned} u_{iG}(t) &= \frac{U_d}{2} + \frac{U_d}{2} M \cos(\omega_0 t + \theta_i) + \frac{2U_d}{\pi} \sum_{m=1}^{\infty} \frac{1}{m} J_0\left(m \frac{\pi}{2} M\right) \sin\left((m+n) \frac{\pi}{2}\right) \cdot \cos(m\omega_c t + n(\omega_0 t + \theta_i)) + \\ &+ \frac{2U_d}{\pi} \sum_{m=1}^{\infty} \sum_{n=-\infty}^{\infty} \frac{1}{m} J_n\left(m \frac{\pi}{2} M\right) \cdot \sin\left((m+n) \frac{\pi}{2}\right) \cos(\omega_0 t + \theta_i) \end{aligned} \quad (11)$$

where:

$i - A, B, C$,

$\theta - 0, 2/3\pi, -2/3\pi$ - voltages and angles of individual phases of the source respectively,

$J_n(x)$ - Bessel function of the n -th order with the argument x ,

M - PWM modulation factor,

m - index of row of harmonic carrier frequency f_c ,

n - index of row of harmonic frequency modulating of inverter f_0 ,

ω_0 - frequency of the fundamental (modulating) harmonic,

ω_c - frequency of the carrier waveform (modulated) of PWM modulation.

In the phase voltages there are no harmonics of even $m \pm n$ combination, because they are eliminated by the factor $\sin((m+n)\pi/2)$. These harmonics are also not present in phase-to-phase voltages.

$$u_{CM} = \frac{2U_d}{3\pi} \sum_{m=1}^{\infty} \sum_{n=-\infty}^{\infty} \frac{1}{m} J_n\left(m \frac{\pi}{2} M\right) \cdot \sin\left((m+n) \frac{\pi}{2}\right) \left(1 + 2 \cos\left(n \frac{2\pi}{3}\right)\right) \cdot \cos(m\omega_c t + n\omega_0 t) \quad (12)$$

Correct understanding of the complexity of influence of phase voltages of inverter on voltages: differential-mode DM (phase-to-phase) and common-mode CM (ground),

determined by CM voltage of inverter (6):

$$\begin{aligned} u_{AG} &= u_{AN} + u_{NG} \\ u_{BG} &= u_{BN} + u_{NG} \\ u_{CG} &= u_{CN} + u_{NG} \end{aligned} \quad (6)$$

The sum of all voltages from equations (6) is (7):

DC voltage of traction power network) does not eliminate the inverter's common-mode voltage $u_{NG'}$, but instead only increases its level relative to the ground. The grounding of the negative DC voltage bus of the inverter causes the ground disturbances current caused by this voltage to directly flow into the voltage inverter. It is a property that caused a higher impedance in industrial frequency converters, because in this type of inverter's there is no galvanic connection between the negative DC voltage bus and ground [14].

II. ANALYTICAL DESCRIPTION OF DIFFERENTIAL-MODE AND COMMON-MODE VOLTAGES OF PWM INVERTER

Next harmonic analysis of inverter voltages for sinusoidal PWM modulation enabling the determination of analytical equations describing the voltage of common u_{CM} of PWM inverter is described. The expression of the phase voltages of the inverter is shown in equation (11) [2, 15]. The phase voltages are determined in relation to the neutral point G (Fig. 2), for individual phases of the inverter and can be expressed in the form of infinite harmonic series [16-17].

The CM voltage of the PWM inverter is described by (8).

After transformations, the mathematical description of the equation (8) in the form of equation is obtained (12). The CM voltage of the u_{CM} inverter takes the form:

facilitates the procedure proposed in [16] consisting in decomposition of the inverter phase voltage spectrum into spectra of differentials DM and CM inverter's voltages which

Ground Leakage Current Caused by Common-Mode Voltage of PWM Inverter

will be subject of analysis in section 4 of the article.

Taking into account the symmetry of a three-phase system for individual harmonics, the expressions describing

The inverter's phase-to-phase voltage is described by (13):

$$u_{ij}(t) = u_{iN}(t) - u_{jN}(t) = \sqrt{3}U_d M \cos\left(\omega_0 t + \frac{\pi}{6} + \theta_i\right) + \frac{4U_d}{\pi} \sum_{m=1}^{\infty} \sum_{\substack{n=-\infty \\ n \neq 0}}^{\infty} \frac{1}{m} J_n\left(m \frac{\pi}{2} M\right) \cdot \sin\left((m+n) \frac{\pi}{2}\right) \sin\left(n \frac{\pi}{3}\right) \cdot \cos(m\omega_c t + n(\omega_0 t - \frac{\pi}{3}) + \frac{\pi}{2} + \theta_i) \quad (13)$$

where:

$ij = AB, BC, CA$.

Then the inverter's DM voltages for the individual pairs of the inverter voltage phases are described by (14):

$$u_{DM} = \frac{4U_d}{\sqrt{3}\pi} \sum_{m=1}^{\infty} \sum_{\substack{n=-\infty \\ n \neq 0}}^{\infty} \frac{1}{m} J_n\left(m \frac{\pi}{2} M\right) \cdot \sin\left((m+n) \frac{\pi}{2}\right) \sin\left(n \frac{\pi}{3}\right) \cos(m\omega_c t + n\omega_0 t) \quad (14)$$

To explain the formation of CM and DM voltage of PWM inverter, a model of three-phase two-level voltage inverter shown in Figure 2 is used. There is an electrical scheme of a two-level three-phase inverter, which allows time and frequency analysis of inverter voltages for freely adopted PWM modulation parameters. Through simulation the CM voltage of inverter u_{CM} is described by equation (8).

As a result of the simulation, the common-mode voltages for basic harmonic of phase voltage equal to 50 Hz were obtained, with two totally different factors of modulation $M = 0.9$ and $M = 0.1$ (Fig. 3). A sinusoidal modulator of the phase voltage of the PWM inverter is used, in which the frequency of the modulated waveform is 500 Hz. It has been assumed that the modulation frequency can

differential voltages in phase-to-phase voltages can be obtained directly from the phase-to-phase voltages equation.

range from 0.5 Hz to 50 Hz – it applies to constant torque on the motor shaft. The carrier frequency of a sinusoidal PWM modulation in inverters with IGBT transistors is from 2 kHz to 15 kHz. To the tests assume the values of carrier frequency equal to 500 Hz, 1 kHz and 2 kHz. Based on the simulation results (Fig. 4), it should be noted that the shape of the voltage of common-mode waveform depends on the modulation factor M , and therefore also depends on its spectrum of harmonic components.

The effective value of the inverter's common-mode voltage u_{CM} as a function of the PWM modulation factor M was determined through the sinusoidal modulating voltage. In the calculations, the electrical scheme of the PWM modulator model shown in Figure 2 (PWM control) is

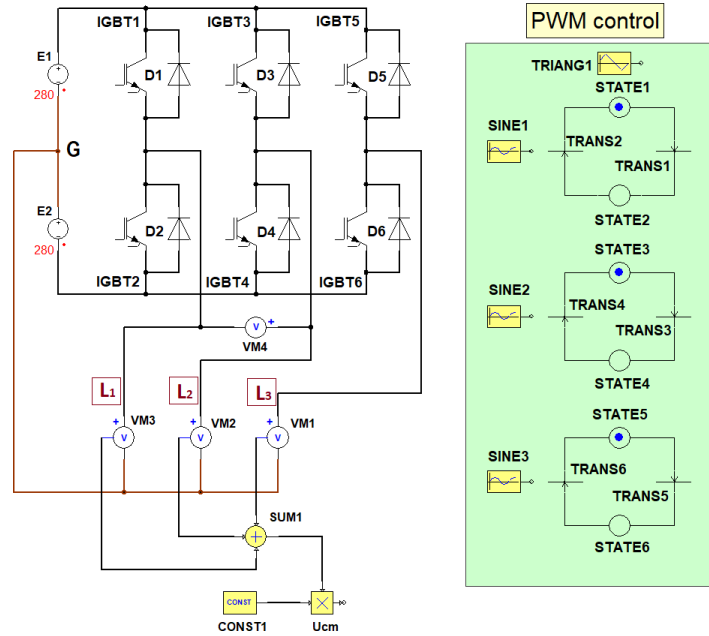


Fig. 2. Circuitry model of the inverter: u_{ph} phase voltage, u_{ph-ph} phase-to-phase voltage and DM voltage u_{DM} and CM voltage u_{CM}

applied, in which the carrier triangular waveform has the frequency $f_c = 1$ kHz (TRIANG1). The results of the calculations are presented graphically in Figure 4, where the effective value of the CM voltage u_{CM} is determined with respect to half of the DC voltage supply of the inverter $U_d/2$.

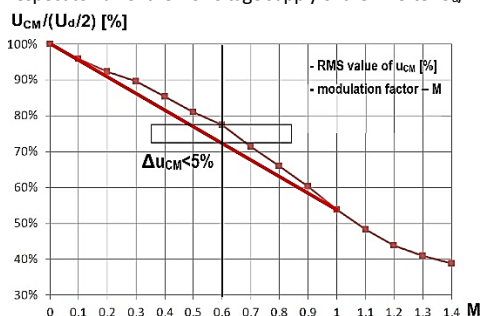


Fig. 3. Share of effective value (RMS) of inverter's CM voltage u_{CM} with PWM sine modulation as a function of the modulation factor M [14]

For the coefficient in the range from $M = 0$ to $M = 1.4$, the approximate effective value of the inverter's common-mode voltage can be designated from Figure 3. This graph shows its percentage share in relation to half of the DC power voltage supply U_d of the inverter. Based on Figure 3, it can be adopted that for $M = 1$, the effective value of the inverter's common-mode voltage is $1/4U_d$, and for M which is close to zero, it is $1/2U_d$.

A characteristic feature of the inverter's CM voltage u_{CM} is the square shape with frequency f_c : the modulation factor M close to zero, i.e. during the generation of basic harmonics of phase-to-phase voltages of the inverter with the effective values close to zero (Fig. 4d).

For example, a cage induction motor powered by an inverter does not generate drive torque even though the inverter's phase voltages have an effective value equal to half the DC voltage supplying of inverter $U_d/2$ in referred to ground. The motor is affected by narrow rectangular pulses of phase-to-phase voltages of inverter. Tapering phase-to-phase voltages impulses arise due to the disappearance of the angle of shifts between the phase voltages of individual phases.

The CM voltage of inverter u_{CM} , for phase voltages of inverter with rectangular waveform and amplitude equal to $U_d/2$ (Fig. 4b, M close to zero), is a rectangular waveform with the frequency f_c . This creates a danger for human electroshock due to the presence of high frequency CM voltage with an effective value being 100% higher than if the inverter is operating with a modulation factor equal to $M = 1$ (Fig. 3). With the occurrence of a rectangular waveform of inverter's CM voltage at $M = 0$, its amplitude spectrum will consist only of the odd harmonics. The harmonics h_k have only odd rows: $k = 1, 3, 5, 7, 9 \dots = 2n-1$.

III. SIMULATION AND EXPERIMENTAL RESEARCH ON THE INFLUENCE OF CM VOLTAGE ON GROUND LEAKAGE CURRENT

In the Polish 3kW DC electrical traction supply system, the negative pole of the traction substation's rectifier is

shorted through the rail system with the negative pole of the DC voltage of the tractions inverters. The scheme of power supply of auxiliary railway devices is shown in Figure 5. It is a drive system with a single voltage frequency converter and a squirrel cage motor.

The motor is connected to the voltage inverter of the frequency converter with a three-phase shielded motor cable. In the drive model shown in Figure 5, the parasitic ground leakage current flows through the ground capacitance of the cable and motor, flowing into the inverter through two circuits: through the EMC ground filter of the intermediate circuit and through the transformer's secondary windings working in TN power supply system. The capacitance of the intermediate circuit EMC filter have a small value, typically $0.22 \mu\text{F} - 0.35 \mu\text{F}$, so a significant part of this current flows through the secondary windings of the transformer. Capacitive ground leakage current measured in the protective PE conductor on the stretch between the transformer and the EMC filter of the drive frequency converter, caused by the CM voltage of the inverter u_{CM} , is shown in Figure 6.

The ground leakage current presented in Figure 6a was obtained in simulation tests of the model shown in Figure 2, with the switching frequency of the inverter switches equal to 2 kHz. This is the frequency of the triangular waveform modulated by three sinusoidal signals used in the classic sinusoidal PWM. The example result of experimental research is presented in Figure 6b.

The obtained results show that despite the use of an EMC filter built in the drive frequency converter, a significant part of the ground leakage current is flowing through the transformer secondary windings with the TN power network system causing undesirable deformations of the transformer voltages at the common point connection (PCC) of other loads. The inverter's switching frequency has a fundamental harmonic of the inverter's common-mode voltage, here 2kHz. The parasitic DM voltage contains harmonics, which are placed around a multiple of the switching frequency (2kHz) [14].

IV. FREQUENCY ANALYSIS OF INVERTER'S COMMON-MODE VOLTAGE

Using specialized computer software for the simulation of inverter (Simplorer), the authors analysed the harmonics spectrum of the phase voltages of the three phase inverter shown in Figure 2. The amplitudes and phases of the consecutive five significant higher harmonics are shown in Table 1. The fundamental harmonic has the frequency of 25 Hz. Table 1 shows that the amplitude of the basic harmonic is near 140V and its phase angle is almost 360° . The CM voltage of inverter that causes ground leakage current contains a harmonic with frequency of 2 kHz (the frequency of the triangular modulated signal). The remaining harmonics (from 2 to 5), are due to the DM voltage, which distorts the phase-to-phase voltage of the inverter. Table 1 does not show higher harmonics of CM voltage, because of their small amplitudes.

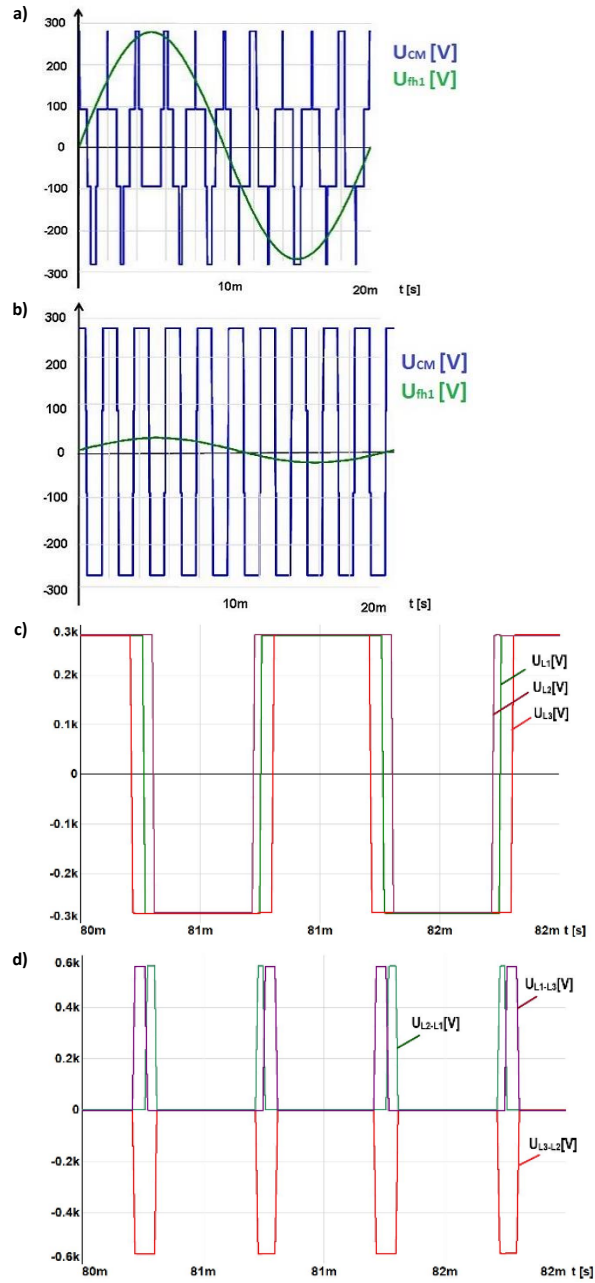


Fig. 4. The inverter's common-mode voltage u_{CM} with sinusoidal modulation method of output voltages ($f_{hl} = 50$ Hz, $f_c = 0.5$ kHz (TRIANG1)) and inverters phase and phase-to-phase voltages ($f_{hl} = 50$ Hz, $f_c = 1.0$ kHz (TRIANG1)):
 a) the CM voltage u_{CM} and 1-harmonic of phase output voltage of the inverter at the modulation factor $M = 0.9$ ($f_c = 0.5$ kHz),
 b) the CM voltage u_{CM} and 1-harmonic of phase output voltage of the inverter at the modulation factor $M = 0.1$ ($f_c = 0.5$ kHz),
 c) inverter phase voltages for $M = 0.1$ ($f_c = 1$ kHz),
 d) phase-to-phase voltages for $M = 0.1$ ($f_c = 1$ kHz).

Table 1. Higher harmonics of phase voltage u_{ph} of inverter with 25 Hz fundamental harmonic: No. 0 - fundamental harmonic, No. 1 harmonic of CM voltage, No. 2 - 5 harmonics of DM voltage

	f [Hz]	u_{ph} [V]	θ [deg]	%(max)
minimum	25	50.214	81.209	16.604
maximum	6.05k	302.41	359.69	100
0	25	139.52	359.69	46.136
1	2k	302.41	81.209	100
2	3.975k	98.981	342.5	32.73
3	4.025k	100.91	161.82	33.369
4	5.95k	50.214	244.66	16.604
5	6.05k	50.233	243.04	16.611

Table 2. Higher harmonics of the phase-to-phase voltage u_{ph-ph} of inverter with 25Hz fundamental harmonic: No. 0 - fundamental harmonic, No. 1 - 5 harmonics of DM disturbances

	f [Hz]	u_{ph-ph} [V]	θ [deg]	%(max)
minimum	25	46.172	33.456	19.066
maximum	10.05k	242.17	312.39	100
0	25	242.17	150.21	100
1	3.975k	172.16	192.30	71.09
2	4.025k	175.25	312.39	72.364
3	5.95k	85.256	33.456	35.205
4	6.05k	85.292	94.028	35.219
5	10.05k	46.172	255.48	19.066

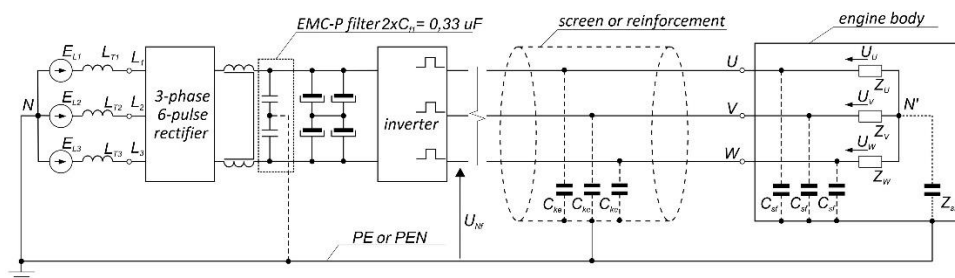


Fig. 5. The model of the drive system with the frequency converter and the parasitic ground capacitances of the shielded cable and the motor

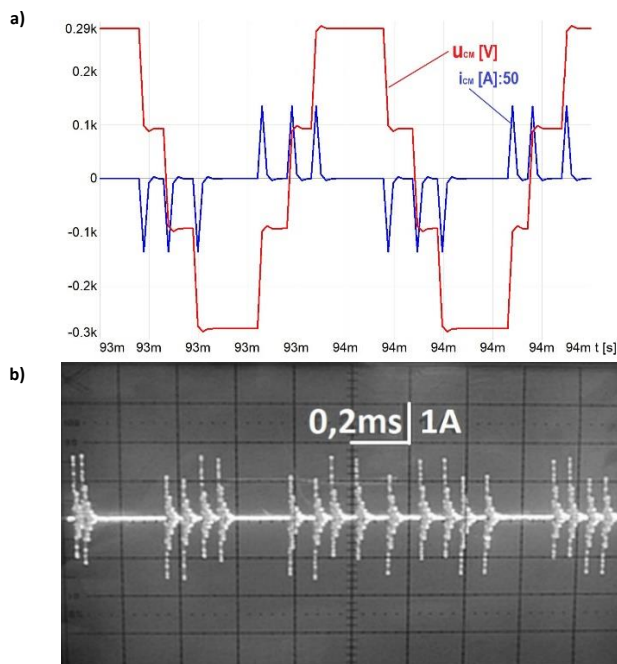


Fig. 6. The example of parasitic ground leakage current forced by the CM voltage of inverter:
 a) the result of the simulation tests of the model,
 b) the test result on the test stand.

Ground Leakage Current Caused by Common-Mode Voltage of PWM Inverter

The harmonics of inverter's DM voltage in the phase-to-phase voltages of the inverter are shown in Table 2 (No. 1-5). It shows that the amplitude of the basic harmonic of phase-to-phase voltage u_{ph-ph} at frequency 25 Hz is greater than the amplitude of the phase voltage u_{ph} and is (15):

$$u_{ph-ph} = \sqrt{3} \cdot u_{ph} = \sqrt{3} \cdot 140V = 242V \quad (15)$$

The amplitude of the basic harmonic dominates in relation to the harmonic amplitudes of the differential-mode voltage, which are arranged as sidebands at even and odd multiples of the frequency of the modulated voltage f_c of PWM [14].

The task of commercial three-phase sinusoidal LC motor filters is to filter differential harmonics from the motor phase-to-phase voltage [14]. The fundamental harmonic of drive inverters are usually in the range from 0.5 Hz to 50 Hz (the motor work zone with constant torque). The use of sinusoidal LC motor filters shapes the phase-to-phase voltages to the sine wave, thus reducing the steepness of the du/dt voltage rise on the stator windings, thereby increasing the motor's windings insulation life. The motor sine-wave filter LC eliminates harmonics of DM voltage of inverter from the motor supply. As presented in Table 2, the harmonics of the DM voltage distorts the sinusoidal shape of the phase-to-phase voltage of the inverter. The harmonics are grouped at even and odd multiples of the modulated waveform frequency, here the triangular waveform at the frequency $f_c = 2k$ Hz. These are harmonics marked as 1-5 in Table 2 and 2-5 in Table 1.

After discussing decomposition of the amplitude-phase spectrum of phase voltage of the inverter u_{ph} (Table 1) to the DM voltage components (phase-to-phase disturbances

harmonics) (Table 2), the analysis of spectrum of CM voltage which evokes the parasitic ground current - capacitive leakage current will be conducted. The harmonics of the lower frequencies of the amplitude-phase spectrum of the ground disturbances voltage u_{CM} of inverter are presented in Table 3. As can be seen in Table 3, harmonics of the CM voltage of the inverter are located close to the multiples of the carrier frequency f_c of the PWM. The inverter's fundamental harmonic of the CM voltage has a frequency equal to the carrier frequency waveform f_c of the PWM, which is also the switching frequency of the controlled semiconductor power elements of inverter - the IGBT transistors. The harmonics of CM voltages u_{CM} have the same amplitude and phase in all three phases of the inverter and are called "zero components". Only the basic harmonic ($f_c = 2$ kHz) of the CM voltage of inverter u_{CM} is shown (Table 1 - item 1). The remaining harmonics (Table 3) have frequencies beyond the range of the next five harmonics shown in the phase voltage spectrum of the inverter u_{ph} .

Table 3. Higher harmonics of CM voltage u_{CM} of the drive inverter with a fundamental harmonic of 25 Hz

	f [Hz]	u_{CM} [V]	θ [deg]	% (max)
minimum	2k	22.501	81.118	7.4243
maximum	12.075k	303.08	325.3	100
0	2k	303.08	81.118	100
1	7.925k	29.297	143.62	9.6664
2	8.075k	28.763	325.3	9.4902
3	10k	26.755	253.4	8.8278
4	11.925k	22.501	307.45	7.4243
5	12.075k	23.898	128.2	7.8851

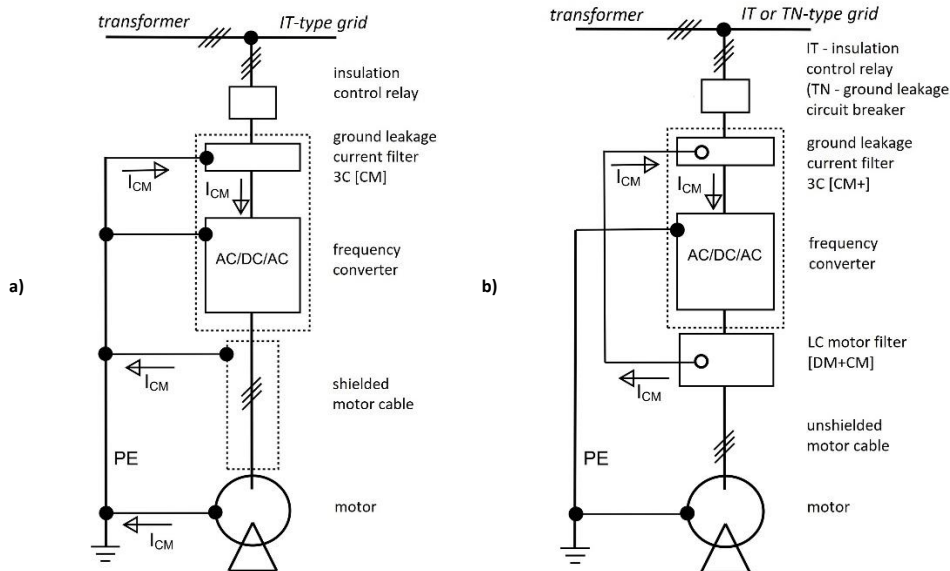


Fig. 7. Power system of the motor drive with frequency converter, where I_{CM} is the capacitive leakage current due to the CM voltage of the inverter: a) with capacitive filter, b) with patented DM + CM filter [15]

The sine wave motor voltages LC filter, which filters the harmonics of DM voltage from the phase-to-phase voltages of the motor, does not filter the harmonics of the inverter's CM voltage [15]. Proposed commercial LC filter of DM voltage for small and medium power drives requires insertion of motor chokes into the motor current path. Interrupting the motor current path, in particular in high-power drives, is not a commonly used engineering practice. Known negative effects of bearing currents of the motor, or ground currents flown through the rotors of pump motors submerged in water, are not suppressed by commercial LC sine waves filters, because the capacitive ground leakage currents is caused by the CM voltage u_{CM} of the inverter.

V. METHODS FOR LIMITING PARASITIC GROUND LEAKAGE CURRENTS GENERATED BY CM VOLTAGE OF INVERTERS

For high power drives with frequency converter, the authors propose supplying the drive from an IT network system (or High Resistance Grounded HRG network). The IT

type system eliminates the galvanic shorting of the transformer's windings with ground and thus the ground current is limited. Thus it flows only through the parasitic ground capacitance on the secondary side of the transformer supplying the frequency converter. The ground leakage current from the transformer can be completely eliminated by using an external additional capacitive filter. Here it is possible to connect an additional circuit in which ground leakage current flowing to the inverter is bypassing the transformer (Fig. 7a). For the complete elimination of ground leakage currents from the PE protective conductor and the transformer and to eliminate the differential-mode voltage from the motor phase-to-phase voltages, the power supply system shown in Figure 7b may be used.

The use of DM and CM filters together with an alternative ground leakage current circuit that bypasses the PE protection wire enables the use of unshielded motor cables without length restrictions, since in this case the motor phase voltages and phase-to-phase voltages are purely sinusoidal.

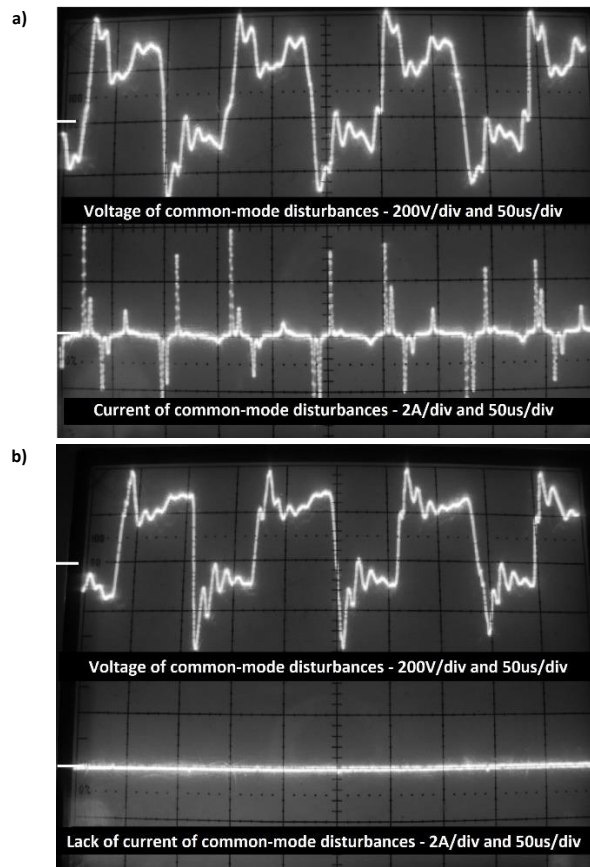


Fig. 8. Voltage of common-mode u_{CM} of the frequency converter and ground leakage current i_{CM} in the protective PE conductor:
a) using the CM filter (3C capacitive filter) in power system as presented on Fig. 7a,
b) using a patented DM and CM filter of inverter's disturbance voltages in power system as presented on Fig. 7b.

Ground Leakage Current Caused by Common-Mode Voltage of PWM Inverter

Figures 8a and 8b present the results of experimental tests of ground leakage current measured in a protective conductor using the motor power system solution according to figures 7a and 7b. Figure 8a indicates a significant effective value (0.5 A) of capacitive leakage current I_{CM} in PE protective conductor using the motor power supply system according to Figure 7a. Figure 8b proves the possibility of complete elimination of capacitive leakage current I_{CM} from the PE conductor using the power supply system according to Figure 7b.

CONCLUSIONS

In the absence of effective filtration of ground disturbance currents, which are caused by the inverter's CM voltage in railway traction substations, these currents flow through the transformer causing high frequency disturbances of phase-to-phase voltages. In frequency converter drives, the PWM inverters produce two types of voltage causing disturbances:

- differential-mode voltage (disturbance of phase-to-phase voltages),
- common-mode voltage (disturbances of the phase voltages causing the high-frequency flow of the capacitive leakage current).

The DM voltage does not present serious problems for the operation of motors, because the content of higher harmonics at phase-to-phase voltages is greatly reduced through the improved PWM control strategies of the inverter for shaping phase-to-phase voltages of the inverter. The steepness of voltage increase is also limited by the already implemented converters' soft switching of transistors and does not exceed the values allowed by the 700V/ μ s standards (eg. IEC/EN61000-3-4). The insulation of motor windings and technology of its application are improved and there is no visible degradation as a result of rapid changes in the electromagnetic field around the insulation of the stator windings of the motor.

The inverters' common-mode voltage still causes negative effects in the drive system. The impact of this voltage is complex and depends on many factors:

- the motor's power,
- the motor cable lengths,
- the types of motor cables: shielded - unshielded,
- the drive inverter power system: TN - IT,
- the control strategies of inverters and the internal filters used by the manufacturers in the frequency converter,
- construction of the drive system: single motor and converter or one higher power converter and many smaller power motors (so-called parallel operation),
- cable trays with motor cables, metal grounded or plastic ungrounded,
- the motor operating environment - dry or wet.

In railways, with typical applications of auxiliary drives, the phase-to-phase disturbances and ground disturbances do not cause operational problems if these are filtered. There are, however, more complicated cases, for example when powering from one transformer in IT-type power network the multi-motor drive system with individual high power converters. In untypical cases, it is necessary to conduct a detailed analysis of the possibilities for limiting the

negative impact of high-frequency ground disturbances caused by the inverters CM voltages. The CM voltage u_{CM} , among others, may cause impermissible deformations of the transformer voltages both in TN and IT network system, and also the damage to the inverter power path, or disrupt data transmission in ICT systems, which are undesirable in rail traffic control systems. Traction inverters with a grounded negative rail must have built-in high-frequency filters of CM voltages of the inverters on the DC power supply side. Effective filtration of capacitive ground leakage current in the locomotive eliminates its flow through the traction network and traction substation rectifier.

In railway auxiliary drives, e.g. railway switches fitted to inverter drives with an input rectifier, the current harmonics in AC voltage grid must be additionally minimized.

PRĄDY UPŁYWU DOZIEMNEGO GENEROWANE NAPIĘCIEM WSPÓLNYM FALOWNIKA MSI

W kolejowych pojazdach trakcyjnych trójfazowe falowniki MSI (Modulacja Szerokości Impulsów) wytwarzają pasożytnicze napięcia różnicowe (Differential Mode Voltage) i wspólne (Common Mode Voltage). Pasożytnicze napięcia są skutkiem ubocznym stosowania modulacji szerokościowej do kształtowania napięć międzyfazowych falownika. W artykule autorzy przedstawiają opis matematyczny napięć DM oraz CM i przeprowadzają ich analizę widmową. Na podstawie przeprowadzonej analizy autorzy przedstawiają metodę filtracji wybranych harmonicznych napięcia DM i CM dla ograniczania wytwarzanych przez nie prądów pasożytniczych: (DM) - międzyfazowych i (CM) - doziemnych. W wyniku badań osiągnięto prawie całkowitą eliminację pasożytniczego prądu upływu doziemnego z systemu ochrony przeciwporażeniowej PE.

Słowa kluczowe: dwupoziomowy falownik MSI, napięcia różnicowe, napięcie wspólne, modulacja MSI, trójfazowy trakcyjny falownik napięciowy

BIBLIOGRAPHY

- [1] Ambrožič, V., Zajec P. (2016) Električni Servo Pogoni, Slovensko združenje elektroenergetikov CIGRE-CIRED, Ljubljana
- [2] Suwankawin S. et al. (2005) Destruction by Charge Current and Its Solution for PWM Inverter Feeding Multiple Motors Through Long Cables. Industry Applications Conference, 2005. Fourtieth IAS Annual Meeting. Conference Record of the 2005
- [3] Tallam R. et al. (2006) Failure Mode for AC Drives on High Resistance Grounded System, Applied Power Electronics Conference and Exposition, APEC '06
- [4] Yeh Ch., Huang B., Chen K., Fang R., Wang Ch. (2015) Reduction of Common-Mode and Differential-Mode Noises Using Timing-Offset Differential Signal, IEEE Transactions on Components, Packaging And Manufacturing Technology, Vol. 5, No. 12, December 2015
- [5] Dianguo X., Qiang G., Wei W. (2006) Design of a Passive Filter to Reduce Common-Mode and Differential-Mode Voltage Generated by Voltage-Source PWM Inverter, IECON 2006 - 32nd Annual Conference on IEEE Industrial Electronics
- [6] Sokmen O.G., Alci M. (2018) A Novel Active Element: Fully Differential Voltage Differencing Current Controlled Current Conveyor (FD-VDCCC) and Filter Applications, 5th International Conference on Electrical and Electronics Engineering
- [7] Huang J., Shi H. (2015) A Hybrid Filter for the Suppression of Common-Mode Voltage and Differential-Mode Harmonics in Three-Phase Inverters With CPPM, IEEE Transactions on Industrial Electronics Volume 62, Issue 7, July 2015

-
- [8] Hassan M. S., Shoyama M. (2018) Common-Mode Noise Evaluation Study of Two-Level Voltage Source Inverter using Bus-Clamping Discontinuous PWM Strategies, 2018 IEEE International Telecommunications Energy Conference (INTELEC)
- [9] Pairodomonchai P., Sangwongwanich S. (2011) Exact Common-Mode and Differential-Mode Equivalent Circuits of Inverters in Motor Drive Systems Taking into Account Input Rectifiers, IEEE PEDS 2011, Singapore, 5 - 8 December 2011
- [10] Li X., Zhang Ch., Chen A., Qin Ch. (2019) Simultaneous Common-Mode Resonance Circulating Current and Leakage Current Suppression for Transformerless Three-Level T-Type PV Inverter System, IEEE Transactions on Industrial Electronics, Vol. 66, No. 6, June 2019
- [11] Danfoss: Output Filter Design MG90N402, 2010
- [12] Żurek-Mortka M., Szymański J. (2018) Reactive Power Compensation in a Harmonic Environment, Elektro Info, nr 10
- [13] Kempski A., Smoleński R. (2006) Decomposition of EMI Noise Into Common and Directional Modes in PWM Inverter Drive System. Electrical Power Quality and Utilization, 12 (no. 1)
- [14] Szymański J. (2015) The Voltage of Common-Mode Disturbances in Frequency Converters in Railway Systems. Monography, UTH Radom
- [15] Szymański J. (2014) The Filter of Common-Mode Voltage of Electronic Frequency Converters Supplied From a Three-Phase, Ungrounded IT Type System. Patent PL No 219221
- [16] Holmes D., Lipo T. (2003) Pulse Width Modulation For Power Converters: Principles And Practice. Wiley - IEEE Press
- [17] Kempski A. (2005) Electromagnetic Conductive Disturbances in Converter Drive Systems. Monography, Oficyna Wydawnicza Uniwersytetu Zielonogórskiego