

JANUSZ MAKÓWKA*

**METHOD OF DETERMINING THE TRIAXIAL STRESS STATE IN THE ROCK MASS
WITH DIRECTED HYDROFRACTURING****METODA OKREŚLANIA TRÓJOSIOWEGO STANU NAPRĘŻENIA W GÓROTWORZE
Z UŻYCIEM UKIERUNKOWANEGO HYDROSZCZELINOWANIA**

Stress state in the rock mass determines design of mine workings, their proper maintenance, and safety of the personnel working there. That is why numerous methods of determining stress state in the rock mass have been devised. One of the categories of such methods are hydraulic ones. The most commonly known methods of hydrofracturing and the HTPF have certain limitations resulting from their assumptions. The presented method based on directed hydrofracturing of rocks enables determining values and directions of principal stresses in the rock mass, independently on the complexity of local stress state. The essence of the method, conditions of conducting tests and the method of calculating components of stress state basing on underground measurements are presented.

Keywords: stress state in the rock mass, directed hydrofracturing of rocks, determining stresses with directed hydrofracturing

Stan naprężenia w górotworze determinuje sposób projektowania wyrobisk górniczych, ich prawidłowe utrzymanie oraz bezpieczeństwo górników w nich pracujących. Z tego względu opracowano wiele metod określania stanu naprężenia w górotworze. Jedną z kategorii takich metod są metody hydrauliczne. Najszerzej znane metody hydroszczelinowania oraz HTPF posiadają ograniczenia wynikające z ich założeń. Przedstawiona w artykule metoda oparta o ukierunkowane hydroszczelinowanie skał pozwala na określanie wartości i kierunków działania naprężeń głównych w górotworze, niezależnie od złożoności lokalnego stanu naprężenia. W artykule przedstawiono istotę metody, warunki wykonania badań oraz metodę obliczania składowych stanu naprężenia na podstawie pomiarów dołowych.

Słowa kluczowe: stan naprężenia w górotworze, ukierunkowane hydroszczelinowanie skał, określanie naprężeń z użyciem ukierunkowanego hydroszczelinowania

* CENTRAL MINING INSTITUTE, PLAC GWARKÓW 1, 40-166 KATOWICE, POLAND. E-MAIL: jmakowka@gig.eu

1. Introduction

Knowledge of stress state in the rock mass is one of more important factors influencing how mining works are designed and then conducted. It is particularly important if the designed mining activities go deep or take place in the area of disturbed geological structure. Asymmetric stress state has significant influence on the values of failure and post-peak failure parameters of coal and rocks (Bukowska et al., 2007; Bukowska, 2013) and thereby the state of rockburst hazard (Bukowska, 2012; Kabiesz, 2012; Kabiesz et al., 2013). It also could be used to properly design of mining workings support (Brodny, 2010, 2011).

That is why there have been developed numerous methods of determining stresses in the rock mass. Basing on Amadei and Stephansson's systematics (2007) and the ISRM works (Ljunggren et al., 2003), the methods of determining stresses can be divided into the following groups:

1. Hydraulic methods:
 - hydraulic fracturing,
 - sleeve fracturing,
 - hydraulic tests of pre-existing fractures, HTPF,
 - directed rock hydro fracturing method N-UHS.
2. Relief methods:
 - surface relief method,
 - methods of relieving in boreholes:
 - Overcoring: CSIR and CSIRO cell,
 - USBM.
 - methods of relieving large rock volume.
3. *Jacking methods*:
 - flat jack method,
 - curved jack method.
4. Strain recovery methods:
 - anelastic strain recovery method, ASR,
 - differential strain curve analysis method, DSCA.
5. Method of analyses of fractures inside a borehole.
6. Other:
 - tectonics analyses,
 - analyses of tremor source mechanisms,
 - indirect methods,
 - inclusions in materials of time dependant characteristics,
 - measurement of residual stresses.

The underlined methods are the ones recommended by the International Society of Rock Mechanics (ISRM).

Among the commonly known and acknowledged methods there is one, employing directed hydrofracturing of rocks to determine stresses, which has been constantly developed at the Central Mining Institute since the early 2000s. The basics of the method were presented by Makówka (2006), its further development was signalled by Makówka (2010) and then by Makówka and Drzewiecki (2011). Its latest version was presented by Makówka (2014).

2. Classical method of hydrofracturing and the HTPF method

Determining stresses with directed hydrofracturing of rocks is a method similar to the classical method of hydrofracturing, yet as far as the measurement principles are concerned it is similar to the hydraulic test on pre-existing fracture (HTPF) method. In the classical hydrofracturing method the test is conducted in a vertical hole (i.e.: in a borehole drilled towards the most principal stress σ_1), where a selected section of the hole is sealed and fluid (most often water) is injected into such an area under appropriately high pressure. Increasing pressure of the fluid leads to a decrease in circumferential stress on the walls of the hole until it reaches opposite values, i.e. tensile stress on the part of borehole wall of the least principal stress σ_3 . It determines the direction of the stress. Value of the stress is determined in the second (or any further) injection cycle based on fracture reopening pressure and closing pressure of the fracture induced in the first injection cycle.

In the HTPF method fluid is injected into fractures intersecting the borehole, pre-existing in the rock mass and intersecting it at different angles. Injecting the fluid into selected sections of the borehole enables opening them, which then enables determining the component of stress in the rock mass acting perpendicularly towards the plane of a given fracture.

Hydrofracturing method has significant limitations as it requires drilling a test borehole following the direction of the most principal stress. Hence the direction ought to be either known or assumed beforehand, while the HTPF method requires a borehole to find sufficient number of fractures of various orientations. That is why using the methods it is difficult to determine the full stress tensor – or alternatively: values and directions of principal stresses. Directed hydrofracturing (N-UHS) may be a solution to the problem.

3. Idea and conditions necessary to determine principal stresses with directed hydrofracturing

The prerequisite of determining triaxial stress state with directed hydrofracturing is conducting a series of measurements of closing pressure of fractures induced perpendicularly towards the axes of boreholes of differentiated spatial orientation. In each of the boreholes a starting notch is made, i.e. a kind of a cut in the plane perpendicular towards the axis of the borehole, as it is shown in Figure 1.

Then the section with a starter notch ought to be isolated with the proper packer and injected with the fluid until the rocks breaks. Injecting the fluid ought to be repeated in at least one cycle to determine fracture closing pressure. Value of the pressure is identified as a component of stress acting perpendicularly to the plane of the induced fracture. An ideal course of changes in pressure and flow of the injected fluid is presented in Figure 2.

The assumptions made and detailed conditions of taking measurements with the N-UHS method are presented by Makówka (2014). Boreholes for hydrofracturing ought to be located in the rock mass free of existing discontinuities, which can be verified with an endoscope camera. Depending on the type of a packer, fracturing can be conducted at the bottom of the hole, which enables using a single packer. Because of the risk of ejecting such a packer from the borehole once it loses grip of the borehole walls, it is recommended to conduct hydrofracturing at some distance from the bottom with a straddle packer, as it is safer. In such a situation it is possible

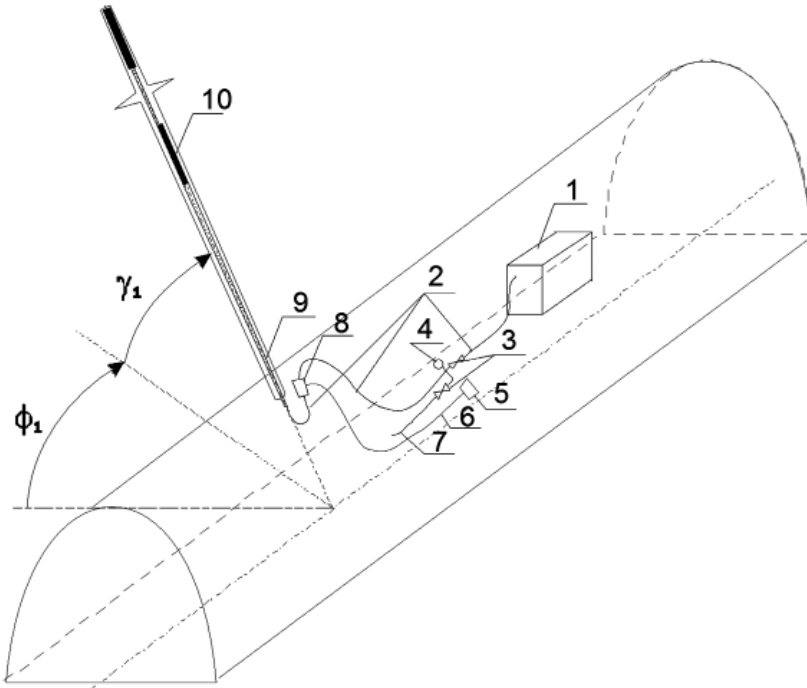


Fig. 1. Simplified schematics of N-UHS measuring system
 1 – mobile pump, 2 – high-pressure hoses, 3 – valves, 4 – manometer, 5 – recorder, 6 – signal cable,
 7 – drain hose, 8 – pressure and flow sensors, 9 – cable/high-pressure hose, 10 – packer (Makówka, 2014)

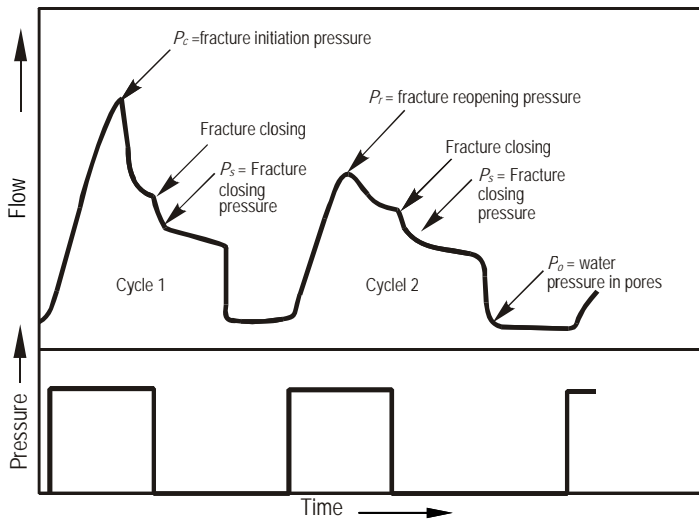


Fig. 2. Simplified graph of pressure and flow in hydrofracturing process with two injection cycles (Makówka, 2006)

to make more measurements in different sections of boreholes. In one test site there ought to be drilled at least five boreholes of different orientations. The boreholes ought to be long enough to place a starter notch beyond the influence of a roadway where the boreholes were drilled from. There are possible various layouts of boreholes in a test site. The simplest and most convenient one to make is the divergent borehole grid. The best concentration of the volume of the tested rock mass is obtained with the convergent grid, where bottoms of boreholes are located close to one another.

During hydrofracturing it is necessary to record current changes in pressure and transient flow of the injected liquid. Recording the flow is helpful in determining fracture opening pressure and fracture closing pressure, yet having gained sufficient proficiency in interpreting the course of changes in values of the pressure it is not necessary.

For each of the boreholes it is necessary to determine vertical and horizontal deflection angle of the borehole from the locally assumed reference system. Together with fracture closing pressure the data form the basis for calculating values and directions of principal stresses in the volume of the rock mass, where the tests were conducted.

4. Determining principal stresses

Determining spatial orientation of principal stresses requires assuming the way of translating the arbitrarily chosen coordinate system into a system of any orientation. Jaeger, Cook and Zimmerman (2007) present a translation method with a rotation of zenith angle θ and horizontal angle λ .

May Oxyz coordinate system be a system of principal stresses (Fig. 3). May Px'y'z' coordinate system be a coordinate system converted in the way presented in Figure 3. In the new coordinate system Pz' axis jest rotated by angle θ , Px' axis is in the plane of OPz; and Py' axis substitutes the system to obtain the right-hand coordinate system and it follows the direction of build up of angle λ . The component of versor coordinate system, expressed with angles θ and λ , determining the direction of Pz' axis is given as:

$$e_{z'} = (\sin\theta \cos\lambda \quad \sin\theta \sin\lambda \quad \cos\theta) \quad (1)$$

The direction of Px' axis may be determined through substituting angle θ with $\theta + \pi/2$, to obtain the component of versor

$$e_{x'} = (\cos\theta \cos\lambda \quad \cos\theta \sin\lambda \quad -\sin\theta) \quad (2)$$

Versor of Py' axis is perpendicular to Oz axis and forms $\lambda + \pi/2$ with Ox as well as angle λ with Oy, thus

$$e_{y'} = (-\sin\lambda \quad \cos\lambda \quad 0) \quad (3)$$

Total versor of the new coordinate system looks as follows

$$e_{x'} = \begin{pmatrix} \cos\theta \cos\lambda & \cos\theta \sin\lambda & -\sin\theta \\ -\sin\lambda & \cos\lambda & 0 \\ \sin\theta \cos\lambda & \sin\theta \sin\lambda & \cos\theta \end{pmatrix} \quad (4)$$

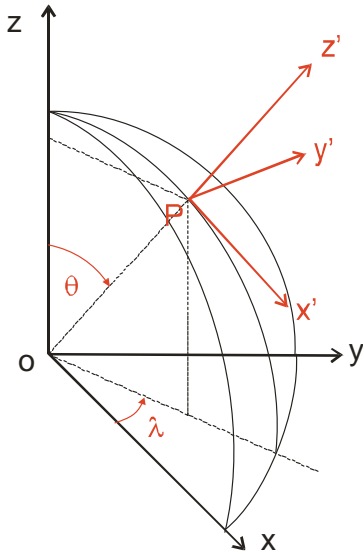


Fig. 3. Initial coordinate system and coordinate system after with angles θ and λ (Jaeger et al., 2007)

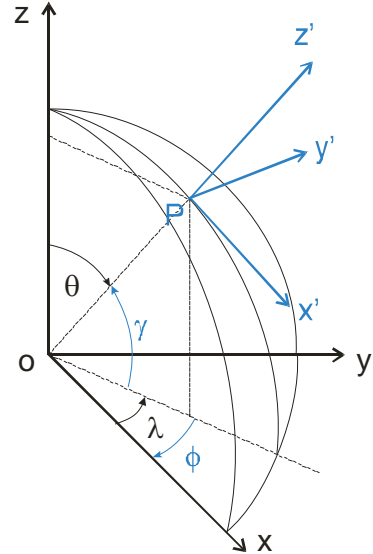


Fig. 4. Coordinate system to convert $Px'y'z'$ into $Oxyz$

Applying the method of converting a coordinate system in the conditions of the coordinate system assumed at the very beginning requires reverse translation. May angles ϕ and γ mean respectively angles of horizontal deflection and elevation, relating to angles λ and θ – as it is shown in Figure 4:

$$\gamma = \pi/2 - \theta \tag{5}$$

and

$$\phi = -\lambda \tag{6}$$

it means that if:

$$\begin{aligned} \sin \gamma &= \sin(\pi/2 - \theta) = \cos \theta \\ \cos \gamma &= \cos(\pi/2 - \theta) = \sin \theta \\ \sin \theta &= \sin(\pi/2 - \gamma) = \cos \gamma \\ \cos \theta &= \cos(\pi/2 - \gamma) = \sin \gamma \end{aligned} \tag{7}$$

and

$$\begin{aligned} \sin \phi &= \sin(-\lambda) = -\sin \lambda \\ \cos \phi &= \cos(-\lambda) = \cos \lambda \\ \sin \lambda &= \sin(-\phi) = -\cos \phi \\ \cos \lambda &= \cos(-\phi) = \sin \phi \end{aligned} \tag{8}$$

then solving (4) with (5) and (6) we obtain

$$f = \begin{pmatrix} \cos\left(\frac{\pi}{2}-\gamma\right) \cdot \cos(-\phi) & \cos\left(\frac{\pi}{2}-\gamma\right) \sin(-\phi) & -\sin\left(\frac{\pi}{2}-\gamma\right) \\ -\sin(-\phi) & \cos(-\phi) & 0 \\ \sin\left(\frac{\pi}{2}-\gamma\right) \cos(-\phi) & \sin\left(\frac{\pi}{2}-\gamma\right) \sin(-\phi) & \cos\left(\frac{\pi}{2}-\gamma\right) \end{pmatrix} \quad (9)$$

which, after simplifying considering dependences (7) and (8), enables obtaining versor of conversion from $Px'y'z'$ system into Oxyz one (as it is shown in Figure 5):

$$f = \begin{pmatrix} \sin\gamma \cdot \cos\phi & -\sin\gamma \cdot \sin\phi & -\cos\gamma \\ \sin\phi & \cos\phi & 0 \\ \cos\gamma \cdot \cos\phi & -\cos\gamma \cdot \sin\phi & \sin\gamma \end{pmatrix} \quad (10)$$

Converting tensor of stresses from the reference system $Px'y'z'$ into Oxyz one we obtain

$$\sigma = f \cdot \sigma' \cdot f^T \quad (11)$$

If we assume, that the tensor of stress s is tensor in Oxyz coordinate system, and in $Px'y'z'$ coordinate system tensor s' as follows

$$\sigma' = \begin{bmatrix} \sigma_1 & 0 & 0 \\ 0 & \sigma_2 & 0 \\ 0 & 0 & \sigma_3 \end{bmatrix} \quad (12)$$

where σ_1 , σ_2 and σ_3 are principal stresses of disordered values, then after conversions we obtain the following dependences of components of stress tensor:

$$\begin{aligned} \sigma_{xx} &= \sin^2\gamma (\sigma_1 \cos^2\phi + \sigma_2 \sin^2\phi) + \sigma_3 \cos^2\gamma \\ \sigma_{yy} &= \sigma_1 \sin^2\phi + \sigma_2 \cos^2\phi \\ \sigma_{zz} &= (\sigma_1 \cos^2\phi + \sigma_2 \sin^2\phi) \cos^2\gamma + \sigma_3 \sin^2\gamma \\ \tau_{xy} &= \sin\gamma \sin\phi \cos\phi (\sigma_1 - \sigma_2) \\ \tau_{xz} &= \sin\gamma \cos\gamma (\sigma_1 \cos^2\phi + \sigma_2 \sin^2\phi) - \sigma_3 \sin\gamma \cos\gamma \\ \tau_{yz} &= (\sigma_1 - \sigma_2) \cos\gamma \sin\phi \cos\phi \end{aligned} \quad (13)$$

Analogically to the coordinate system associated with a mine working, a coordinate system can be associated with a borehole oriented with respect to a mine working described with angles γ_1 and ϕ_1 – Figure 6.

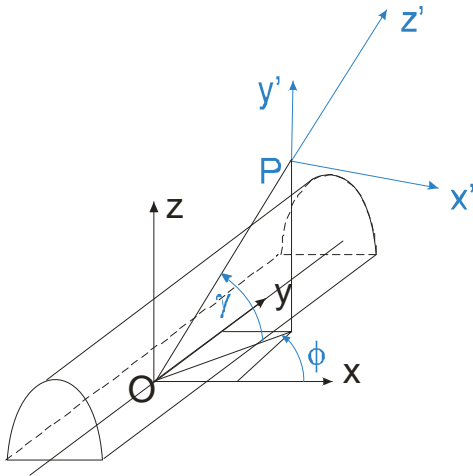


Fig. 5. Oxyz coordinate system associated with mine working and Px'y'z' system following the directions of principal stresses (Makówka, 2014)

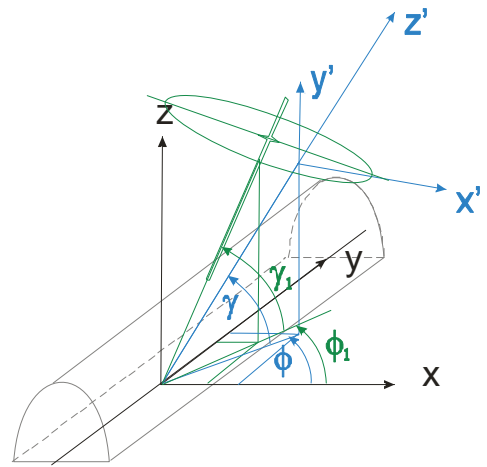


Fig. 6. Orientation of borehole with respect to mine working (Makówka, 2014)

If in the rock mass with stress state defined in such a way a borehole is drilled and then, in the plane perpendicular to the borehole, a discontinuity is induced with the N-UHS method, then compressive strength will act perpendicularly to the plane, which may be identified as fracture closing pressure of the induced discontinuity

$$P^{O1} = n_x^{O1} \cdot \sigma_x + n_y^{O1} \cdot \sigma_y + n_z^{O1} \cdot \sigma_z \tag{14}$$

where:

$$\begin{aligned} \sigma_x &= [\sigma_{xx} \quad \tau_{xy} \quad \tau_{xz}]^T \\ \sigma_y &= [\tau_{yx} \quad \sigma_{yy} \quad \tau_{yz}]^T \\ \sigma_z &= [\tau_{zx} \quad \tau_{zy} \quad \sigma_{zz}]^T \end{aligned} \tag{15}$$

$\tau_{xy} = \tau_{yx}$, $\tau_{xz} = \tau_{zx}$, $\tau_{zy} = \tau_{yz}$, whereas versor of the borehole direction, determined with angles ϕ_1 and γ_1 , is expressed as:

$$\begin{aligned} n_x^{O1} &= \cos \phi_1 \cos \gamma_1 \\ n_y^{O1} &= \cos \phi_1 \sin \gamma_1 \\ n_z^{O1} &= \sin \gamma_1 \end{aligned} \tag{16}$$

To determine stress state expressed with principal stresses $\sigma_1, \sigma_2, \sigma_3$ and angles describing their orientation with respect to local reference system γ and ϕ , it is necessary to provide five independently measured data $P_s^{O1}, P_s^{O2}, \dots, P_s^{O5}$ as well as the appropriate angles determining orientation of boreholes, where the values of pressure γ_n and ϕ_n were measured:

$$\begin{aligned}
 P_s^{O1} &= n_x^{O1} \cdot \sigma_x + n_y^{O1} \cdot \sigma_y + n_z^{O1} \cdot \sigma_z \\
 P_s^{O2} &= n_x^{O2} \cdot \sigma_x + n_y^{O2} \cdot \sigma_y + n_z^{O2} \cdot \sigma_z \\
 P_s^{O3} &= n_x^{O3} \cdot \sigma_x + n_y^{O3} \cdot \sigma_y + n_z^{O3} \cdot \sigma_z \\
 P_s^{O4} &= n_x^{O4} \cdot \sigma_x + n_y^{O4} \cdot \sigma_y + n_z^{O4} \cdot \sigma_z \\
 P_s^{O5} &= n_x^{O5} \cdot \sigma_x + n_y^{O5} \cdot \sigma_y + n_z^{O5} \cdot \sigma_z
 \end{aligned}
 \tag{17}$$

where $n_x^{O_i}$, $n_y^{O_i}$, $n_z^{O_i}$ mean components of versor determining directions of further boreholes of angles γ_i and ϕ_i . Conversion of stress tensor from the assumed coordinate system into a coordinate system associated with principal stresses is possible with one of methods known from classical mechanics. Two of them are presented by Makówka (2014).

The presented above method of calculating directions and values of principal stresses does not assume vertical direction of the biggest principal stress, thus it can be applied in the conditions of highly disturbed stress state, in the vicinity of faults or other dislocations.

If fewer measurements are available (e.g. failed measurements), it is possible to make assumptions concerning direction and/or value of one of components of stress state. It reduces the number of equations in a system (17) and enables applying a system of equations which is easier to calculate, known from an earlier version of the method presented by Makówka (2006).

5. Sample measurement

To determine stresses with UHS, although it is relatively easy from the technical point of view, it is necessary to meet certain geological, mining and technical requirements to make appropriate number of measurements of the right pressure. In given conditions of underground mine workings they are hard to meet.

A few measurements have been already made with the presented method. In Wujek coal mine a series of measurements involved five sites with, in total, 56 boreholes. Fracture closing pressure was properly determined in 23 of them. It enabled calculating 10 sets of values and directions of principal stresses in the version assuming vertical direction of the most principal stress s_1 . The results were thoroughly discussed in the article (Makówka, 2006).

Another measurement with upgraded equipment was made in Rydułtowy-Anna coal mine. The tests were conducted in area N-E2 of seam 713/1-2. The measurement site was situated in incline II 1200-E2, at the depth of 1180m. Approximately 700 m from the site in 2009 and 2010 there were two rockbursts. Their course and phenomena accompanying them made the specialists who analyse them look for unusual causes. One of them was a probable unusual and asymmetric state of stress, caused by sedimentation disturbances in the seam and rocks surrounding it and nearby NNE-SSW syncline axis. As a result the coal mine agreed on measurements of the state of stress.

Due to the above mentioned structural irregularities the tests turned out to be hard to conduct properly. It was particularly hard to find an appropriate section of the rock mass where the boreholes would go through homogeneous rock for at least 2 metres. Such conditions were obtained in three boreholes and appropriate measurements were made there.

The pattern of boreholes drilled at the measurement site is presented in Figure 1. The boreholes where interpretable data were collected are shaded in the figure.

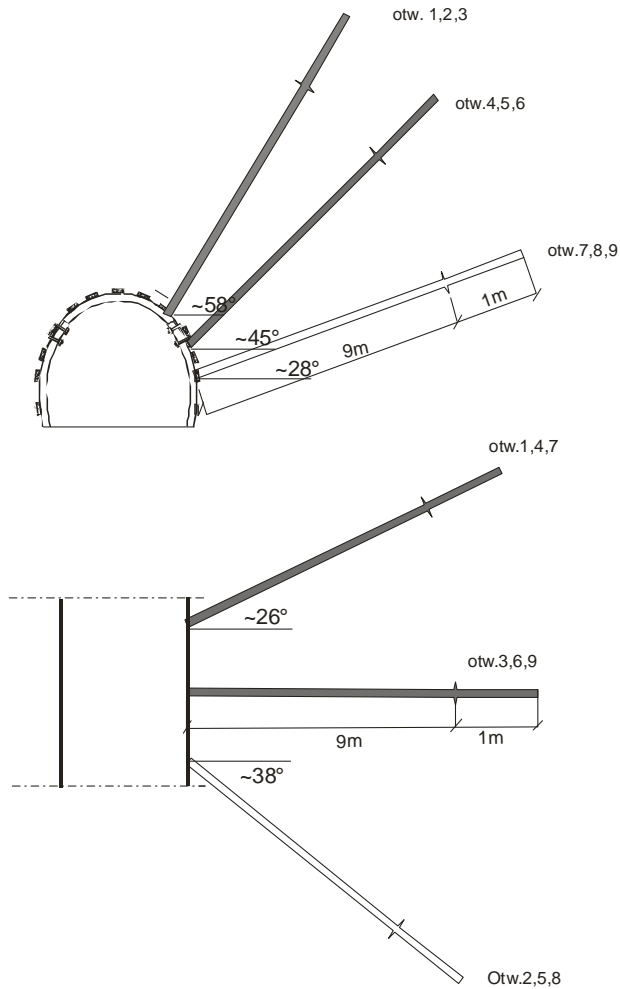


Fig. 7. System of test boreholes for N-UHS, measurement site 2

Out of nine boreholes drilled there, values of fracture closing pressure P'_s were obtained in measurements in three of them no.: 2, 3, 4. Table 1 presents values of the pressure and angles of elevation and deflection of boreholes where the measurements were made.

TABLE 1

Parameters of test boreholes and obtained results

Borehole	Fracture closing pressure, P'_s	Angle of horizontal deflection of borehole from perpendicular to sidewall, ϕ	Angle of elevation, γ
2	28.2 MPa	7.7°	58°
3	25.6 MPa	37.7°	58°
4	20.5 MPa	-26°	43°

Such a range of data does not enable full determination of values and directions of principal stresses. However, assuming that the most principal stress acts vertically, and its value results from the seam depth at the measurement site, i.e. 32.1 MPa, it is possible to use a dependence from the article (Makówka, 2006), simplified as follows:

$$\begin{cases} P_s = (S_H \cos^2 \phi + S_h \sin^2 \phi) \sin^2 \gamma + S_V \cos^2 \gamma \\ P_{s1} = (S_H \cos^2 (\phi + \Delta \phi_1) + S_h \sin^2 (\phi + \Delta \phi_1)) \sin^2 (\gamma + \Delta \gamma_1) + S_V \cos^2 (\gamma + \Delta \gamma_1) \\ P_{s2} = (S_H \cos^2 (\phi + \Delta \phi_2) + S_h \sin^2 (\phi + \Delta \phi_2)) \sin^2 (\gamma + \Delta \gamma_2) + S_V \cos^2 (\gamma + \Delta \gamma_2) \end{cases}$$

where ϕ and γ are angles describing borehole 2, P_s – fracture closing pressure in borehole 2, and values ϕ_1 and γ_1 and ϕ_2 and γ_2 refer respectively to boreholes 3 and 4.

The simplifications enabled obtaining the following results :

- value of the most principal horizontal stress $S_H = 26.88$ MPa,
- value of the least principal horizontal stress $S_h = 2.015$ MPa,
- angle of horizontal deflection from the direction perpendicular to the sidewall $\phi = 6.55^\circ$, i.e. 20.3° from North. The results are presented in graphic form in Figure 8.

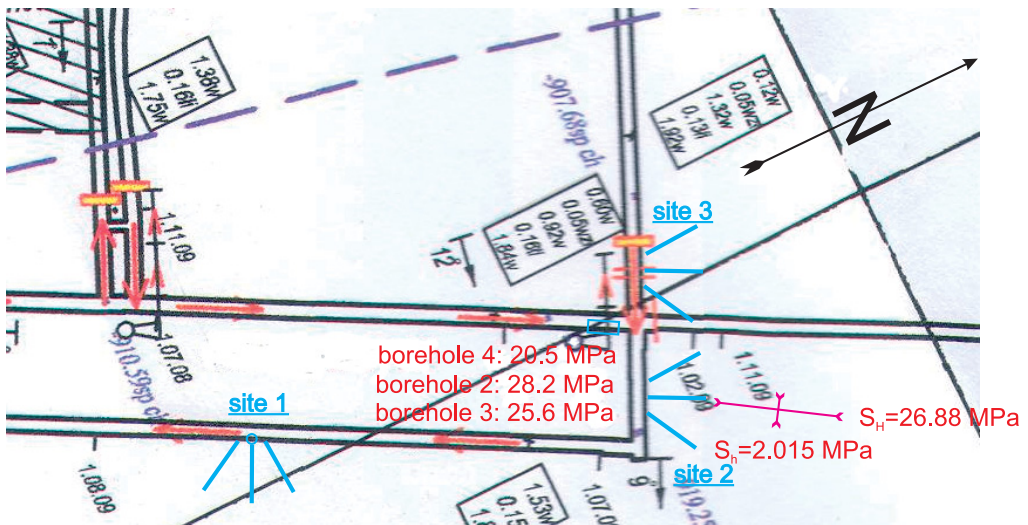


Fig. 8. Results of determining values and directions of stresses in Rydułtowy-Anna coal mine

It must be remembered that the obtained and presented above results of determining values and directions of horizontal stresses are burdened with a potential error which is an effect of assuming the direction and value of the most principal stress, as a vertical one. It is worth noting that the direction of the most principal horizontal stress follows the direction of the nearby syncline axis.

6. Summary

The presented method of determining stresses in the rock mass originates from the known methods of hydrofracturing with a vertical measurement borehole and the HTPF method. Thanks to the fact that the fracture is made in arbitrarily selected direction (perpendicular towards a borehole of any orientation), it is possible to overcome limitations of the above mentioned known methods. Additionally, technical regime of the in situ tests enables conducting them by qualified personnel of a mine. Then the results should be sent to the research centre for further interpretation and analyses. Difficulties in solving systems of equations which enable calculating values and directions of principal stresses, which nowadays prompt use of numerical methods, make it necessary to simplify the calculation method. It is also necessary to confirm the method through further in situ tests.

Knowledge of the state of stresses in the rock mass where mining operations are conducted is an issue of crucial importance for stability of mine workings, especially the very deep ones. It refers both to the personnel's safety aspect and the economic one as workings driven along the direction of the most principal stress are easier to maintain for a long time (Mark, 1991; Mark & Mucho, 1998). So far in Polish coal and copper ore mining industry mainly the vertical component of stress has been in the centre of attention. In copper ore mining industry the importance of knowing horizontal stresses has been recently noticed and in new sections of deposits there are attempts made to adjust deposit exploitation to the directions of horizontal stresses (Butra & Pytel, 1998; Butra et al., 2011; Fabjanczyk, 1997). Coal mining industry is yet to take such steps, as the articles suggest (Tajduś et al., 2004; Pawelus, 2008). In the presented case of Rydułtowy-Anna coal mine, one of the possible causes of the rockbursts was a change of the direction of development workings and driving longwalls. The direction of the most principal stress is roughly perpendicular to the workings in area N-E2, and it is unfavourable from the maintenance point of view. The coal mine plans mining works in the part of the seam and driving new roadways and longwall panels following the probable direction of the stress, which may be more beneficial and safer for them.

References

- Amadei B., Stephansson O., 1997. *Rock stress and its measurement*. Chapman & Hall.
- Brodny J., 2010. *Determining the working characteristic of a friction joint in a yielding support*. Arch. Min. Sci., Vol. 55, No 4, p. 733-746.
- Brodny J., 2011. *Tests of friction joints in mining yielding supports under dynamic load*. Arch. Min. Sci., Vol. 56, No 2, p. 303-318.
- Bukowska, M.; Sanetra, U., Wadas, M., 2007. *The post-peak failure properties and deformational structures of rocks under conventional triaxial compression conditions*. Arch. Min. Sci., Vol. 52, No 3, p. 297-310.
- Bukowska, M., 2013. *Post-peak failure modulus in problems of mining geomechanics*. Journal of Mining Science, Vol. 49, Iss. 5, p. 731-740.
- Bukowska, M., 2012. *The rockbursts in the Upper Silesian Coal Basin in Poland*. Journal Of Mining Science, Vol. 48, Iss. 3, p. 445-456
- Butra J., Pytel W., 1998. *Room and pillar mine workings subjected to high level horizontal stress*. 7th International Symposium on Mine Planning and Equipment Selection, Calgary.

- Butra J., Dębkowski R., Pawelus D., Szpak M., 2011. *Wpływ naprężeń pierwotnych na stateczność wyrobisk górniczych (The effect of primary stress on underground excavations stability)*. Wyd. Cuprum nr 1 (58), p. 43-71
- Haimson B.C., Cornet F.H., 2003. *ISRM Suggested Methods for rock stress estimation - Part 3: hydraulic fracturing (HF) and/or hydraulic testing of pre-existing fractures (HTPF)*. International Journal of Rock Mechanics & Mining Sciences 40, p. 1011-1020
- Fabjanczyk M., 1997. *Pomiar przedekspluatacyjnego pola naprężeń w KGHM Polska Miedź S.A. O/ZG Rudna (Measurements of field stress conditions prior to excavation in KGHM Polska Miedź S.A. O/ZG Rudna)*. Materiały Szkoły Eksploatacji Podziemnej, Szczyrk.
- Drzewiecki J., Makówka J., 2013. *A model of rock mass fracturing ahead of the longwall face as a consequence of intensity of exploitation*. Acta Geodyn. Geomater., Vol. 10, No. 2 (170), p. 137-145.
- Jaeger J., Cook N., Zimmerman R., 2007. *Fundamentals of rock mechanics*. 4th ed. Oxford, Blackwell Publishing, p. 33-35
- Kabiesz J., 2010. *Prediction of mining – induced seismic activity with the use of neural networks on displacement field of rocks in its vicinity. New techniques and Technologies in Mining*. Proceedings of the School of Underground Mining. Dnipropetrovsk/Yalta. Ukraine. 12-18 September 2010. CRC Press. Balkema. Taylor&Francis Group, p. 175-187.
- Kabiesz J., Sikora B., Sikora M., Wróbel Ł., 2013. *Application of rule-based models for seismic hazard prediction in coal mines*. Acta Montanistica Slovaca, R. 18, Č. 4, p. 262-277.
- Ljunggren, C., Chang, Yanting, Janson, T., Christiansson, R., 2003. *An overview of rock stress measurement methods*. International Journal of Rock Mechanics & Mining Sciences, 40, p. 975-989.
- Makówka J., 2006. *Podstawy metody określania naprężeń głównych z wykorzystaniem ukierunkowanego hydroszczelinowania skał. (Basics of the method to determine principal stresses with directed hydrofracturing of rocks)*. Prace Naukowe GIG, nr 868, Katowice.
- Makówka J., 2010. *Interpretacja i wstępne wyniki badań nad zastosowaniem ukierunkowanego hydroszczelinowania skał do określania naprężeń w the rock mass. (Measures of interpretation and preliminary results of investigations over directed hydrofracturing use to determine stresses in rock mass)*. Kwartalnik Akademii Górniczo-Hutniczej „Górnictwo i Geologia”, zeszyt 2, rok 34, Kraków, p. 463-470
- Makówka J., Drzewiecki J., 2011. *Directed hydrofracturing as a method of rock burst mitigation, methane drainage and stress state determination in rock mass*. Proceedings of 34 ICSMRI Conference, New Delhi, India, p. 300-312.
- Makówka J., 2014. *Metoda określania trójosiowego stanu naprężenia w the rock mass z wykorzystaniem ukierunkowanego hydroszczelinowania N-UHS. (Method of determining the triaxial stress state with directed hydrofracturing)*. Prace Naukowe GIG, nr 890.
- Mark C., 1991. *Horizontal stress and its effects on longwall ground control*. Mining Engineering 11.
- Mark C., Mucho T.P., 1998. *Horizontal stress and longwall headgate ground control*. Mining Engineering, January.
- Pawelus D., 2008, *Ocena wpływu naprężeń poziomych na stateczność wyrobisk ścianowych w kopalniach węgla kamiennego (Assessment of influence of horizontal stress on stability of longwalls in coal mines)*. Materiały Szkoły Eksploatacji Podziemnej, Szczyrk.
- Tajduś A., Flisiak M., Cała M., 2004. *Wpływ pierwotnego stanu naprężenia w górotworze na zagrożenie tąpniętami (Influence of the primary stress state in the rock mass on rockburst hazard)*. Materiały XI Międzynarodowej Konferencji Naukowo-Technicznej, Ustroń.

Received: 13 February 2015