

Installation of Compensators in the Power System Transmission Grid

Authors

Ryszard Zajczyk
 Robert Kowalak
 Artur Zbroński

Keywords

reactive power compensation, power systems, transmission networks

Abstract

The article discusses issues of reactive power compensation in transmission grids, with particular focus on the selection of compensator locations and basic parameters. Attention was focused on modern power electronics systems that ensure full automatic compensator adjustment to voltage or power criteria.

DOI: 10.12736/issn.2330-3022.2019205

Received by the editor: 11.08.2019

Received in revised form: 07.08.2019, 10.08.2019

Accepted: 11.08.2019

Available online: 30.10.2019

1. Introduction

Reactive power deficit is the basic factor of voltage failures in power systems around the world. Phenomena that contribute to the reactive power deficit are:

- switching on a large number of loads concentrated in a specific point of the system
- failure of a system component
- short circuit followed by switching off system components (lines, transformers, generation units).

To effectively counteract the reactive power deficit, and if it occurs, to effectively mitigate it, additional reactive power sources are necessary.

Changes occurring in power systems necessitate the search for technical solutions that are largely able to improve the ability to regulate and control electricity flows in the supply grid. Studies carried out in various centres have led to the development of a group of systems based on the latest solutions of high-power semiconductor elements, called FACTS devices (systems). The FACTS acronym is derived from the term flexible alternating current transmission systems [1], with “flexible” meaning the ability of systems to regulate voltage, active and reactive powers, and above all to control power flows in the transmission grid [5]. The main feature of the FACTS systems that distinguishes them from other solutions is undoubtedly their high rate of operation with high control flexibility [1, 9].

The reactive power compensators most used in the Polish National Power System are traditional capacitor and/or reactor

banks for reactive power compensation, operated with electro-mechanical switches. Technological development in the world has led to the introduction to power systems of more advanced reactive power sources i.e. electronic static shunt compensators belonging to the group of FACTS devices. This group includes SVC static Var compensators and STATCOM-type systems of static compensators, i.e. static reactive power generators, as well as hybrid systems of both these solutions. Such systems are not yet used in the Polish National Power System.

The compensator impact on the voltage situation in the system depends on many factors. The important factors include:

- unit rated power
- installation (connection to the system) location
- unit type
- placement in the system relative to places threatened with a reactive power deficit, and to other reactive power sources (incl. generating units).

2. Compensator solutions

Commonly used shunt compensator systems can be divided into two basic groups: electromechanical compensators and static compensators.

The electromechanical compensators are primarily the so-called synchronous compensators, i.e. adjustable synchronous machines that intake or output reactive power. These systems as separate devices in the power system are relatively rare. This is primarily due to the fact that they require buildings

and maintenance, and therefore cause significant operating costs. Also, power plant generators can play the role of such a compensator.

The group of static compensators can be divided into classic compensators and power electronic compensators. In classic compensators, mechanical connectors are used for switching processes. The main disadvantages of these connectors are the relatively long switching times and the wear of mechanical elements, which in turn determines the number of available switchings. This essentially determines the limitations in the use of these systems, in particular in the process of system control in transient states. This group of compensators includes capacitors and reactors operated with electromechanical switches.

Mechanically switched capacitors (MSC) are commonly used in reactive power sources. They have been used primarily in industrial plants as elements to improve the power factor, but also in power grids, again to improve the power factor, as well as to increase the voltage at the connection point when it is falling low. The mechanically switched reactors (MSR) are commonly used reactive power receivers, used wherever there is reactive power excess. They can be used in industrial plants where there is a large number of reactive power sources, which may periodically lead to overcompensation, just for its elimination, and in power grids, primarily to compensate the reactive power generated by lightly loaded lines, in order to prevent excessive overvoltages in particular nodes of the power system.

Despite newer compensator versions' availability, these solutions are not abandoned. Systems of this type can be successfully applied where no adjustment in dynamic states is needed, and in normal states, adjustments are relatively rarely (e.g. single switching per day).

Power electronic compensators are the most modern devices in the power system that enable the regulation of voltages, reactive power, and power factor. As already mentioned, there are two basic subgroups of systems in the group of power electronic shunt compensators.

The first subgroup consists of SVC systems. SVC systems were first introduced to the power industry in the 1970s. In 1977, the first system for an HV grid was launched, primarily for voltage regulation [3]. The basic feature of these systems is that they include passive elements, such as capacitors and/or reactors operated/adjusted by semiconductor switches. An important feature of these systems is their modular structure enabling multiple solution variants. Analysis of the systems deployed around the world indicates a few basic solutions of SVC systems. Their individual names are closely related to the types of modules that they consist of. Generally, SVC systems can be divided into systems with step (discrete) and continuous regulation. Their classification depends on the type of induction members used.

The SVC systems may be:

- TSC (thyristor switched capacitors) – which consist of one or more cooperating three-phase sections of TSC, where each section includes capacitors, thyristor switches that are switched on/off depending on the total reactive power supplied by the entire device.
- TSR or TCR – systems made of induction members only, they consist of TSR (thyristor switched reactors) or TCR thyristor controlled reactors); TSR compensators usually consist of several 3-phase sections with thyristor switches turned on/off depending on the reactive power to be supplied by the whole member, which provides step inductance regulation only; TCR

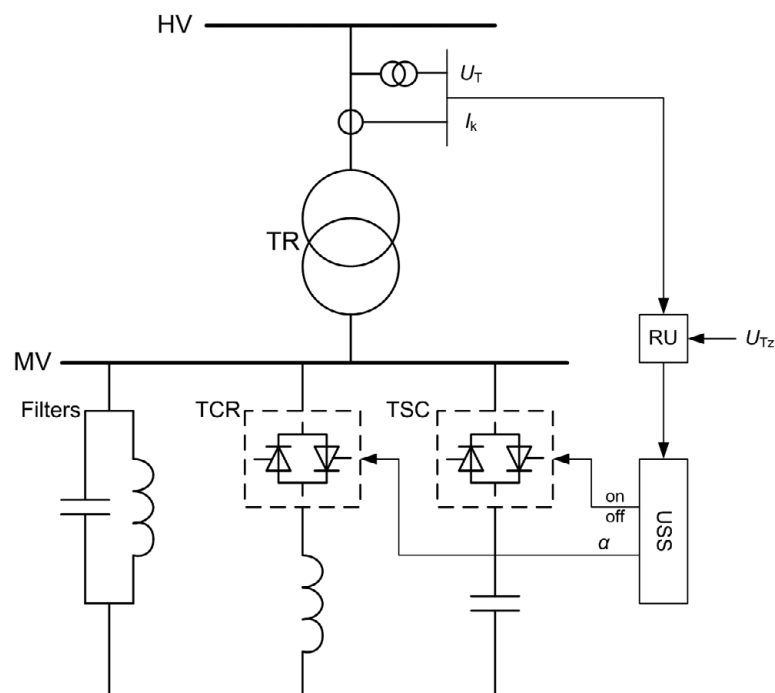


Fig. 1. Structure of TCR-TSC-FC-type SVC compensators: USS – susceptance adjustment system, RU – voltage regulator, TR – HV/MV transformer, α – TCR thyristor ignition angle, U_{Tz} – set voltage, U_T – controlled voltage, I_k – compensator current

compensators have a similar structure with the basic difference in that the TCR system allows for smooth inductance adjustment.

- TCR-FC – systems with two types of elements: TCR modules receiving reactive power and permanent capacitor banks FC (fixed capacitors), which also include capacitive filters of higher harmonics, which are necessary for TCR system operations; FC systems supply reactive power
- TCR-TSC-FC – compensators of this type consist of two groups of elements: (1) TCR thyristor controlled reactors, and (2) TSC thyristor switched capacitors that are the main sources of reactive power and higher harmonic filters (perceived as fixed capacitors FC), which are additional reactive power sources; the filters are necessary to eliminate interference from TCR systems, also other interferences from outside of the compensator can be filtered out.
- TSR-TSC – compensators of this type include TSR thyristor switched reactors and TSC thyristor switched capacitors.

This SVC breakdown follows that used by the system manufacturers [2, 4, 8, 9, 10, 13 and 14].

Fig. 1 shows the structure of a TCR-TSC-FC-type SVC with a voltage regulator made up of one TCR branch, one TSC branch, and higher harmonic filters.

The second group is STATCOM (static compensators). They have been developed to regulate voltage, but they can successfully perform the same functions that SVC systems perform. The power system sees them as AC voltage sources with continuous control, connected to the system via an HV/MV transformer. Such a source could have been created with the use of a converter with GTO thyristors. The first STATCOM compensators were installed in the 1980s [3], and they began to flourish in the 1990s. These systems have been used as reactive power compensators as well as voltage regulators. With their high regulation rate, they can effectively suppress power swings, as well as reduce voltage dips in the grid, and therefore to improve the supply grid voltage quality [17]. In terms of design, two basic branches of these systems can be distinguished:

- STATCOM systems of the CSI (current source inverter) type – with current inverters of inductive load on the DC side; so far rather rarely installed in power systems
- STATCOM system of the VSI (voltage source inverter) type – with voltage inverters of capacitor load on the DC side.

The structure of a VSI converter based STATCOM system with voltage regulators is shown in Fig. 2. Systems of this type have spread in power systems as devices designed to cooperate with wind farms, irregular receipts (e.g. steel mills), and also to control the node voltages [5, 7, 11, 12, 15 and 16].

Shunt compensator manufacturers have launched a system that can be described as SVC-based STATCOM. This system is a hybrid that merges SVC and STATCOM into one unit. The structure of these systems is based on the SVC structure, but thyristor-controlled reactors (TCRs) have been replaced with STATCOM systems. This is the latest and so far the most expensive compensator solution.

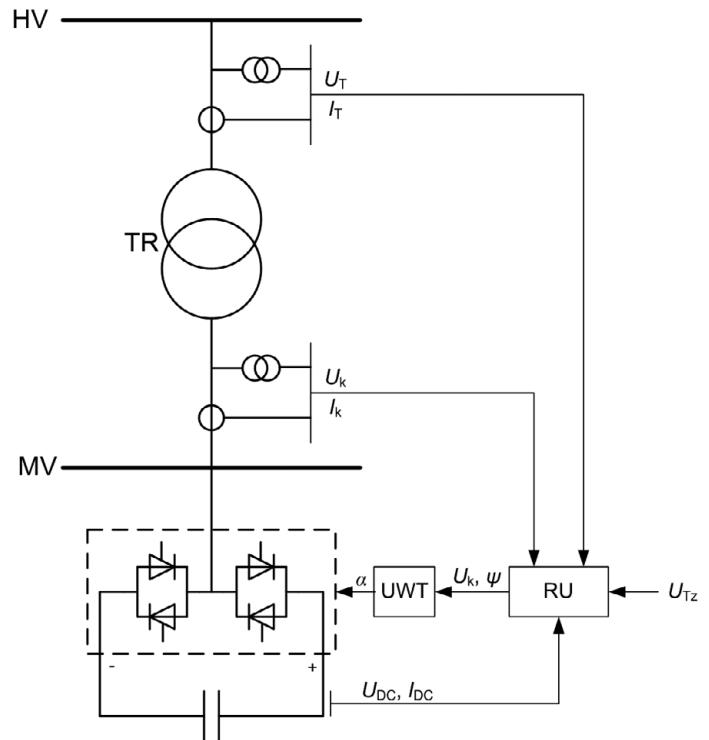


Fig. 2. STATCOM system structure: TR – HV/MV transformer, RU – voltage regulator, UWT – thyristor control system, α – inverter control signal, U_{Tz} – set voltage, U_T – controlled voltage, I_T – compensator current, U_k – inverter voltage, I_k – inverter current, U_{DC} – DC circuit voltage, I_{DC} – DC circuit current

3. Compensator location impact on the power system

How a compensator is connected to a supply grid may affect the grid performance. The simulation tests of static compensators' impact on the voltages and reactive power flows carried out with PLANS program on an example power system. The tested power grid was modelled according to the flow calculation principles: lines and transformers as a crosspiece (R, X, B) with automatic transformer ratio adjustment. Generators were modelled with allowable operating states, and their operation with automatic voltage regulation, including stator and rotor current limiters.

Synchronous generators operated to the criterion $U_{gz} = \text{const.}$, and power transformers to either of the $U_T \propto Q_T \propto n_{zacz} = \text{const.}$ criteria.

The performance of selected LV transmission and 110 kV distribution nodes was analysed. The following two conditions were analysed for each node:

- connecting a compensator to the third winding of an LV/110 kV transformer, which corresponds to connecting to these windings, for instance, a capacitor bank (2-, 3- or 4-stage depending on the node) – Fig. 3a
- compensator connection to LV bus – Fig. 3b.

The windings of a 3-winding transformer are designated as:

- GN – upper winding (400 or 220 kV depending on the node)
- SN – middle winding (110 kV)
- DN – lower winding (30 or 15 kV depending on the node).

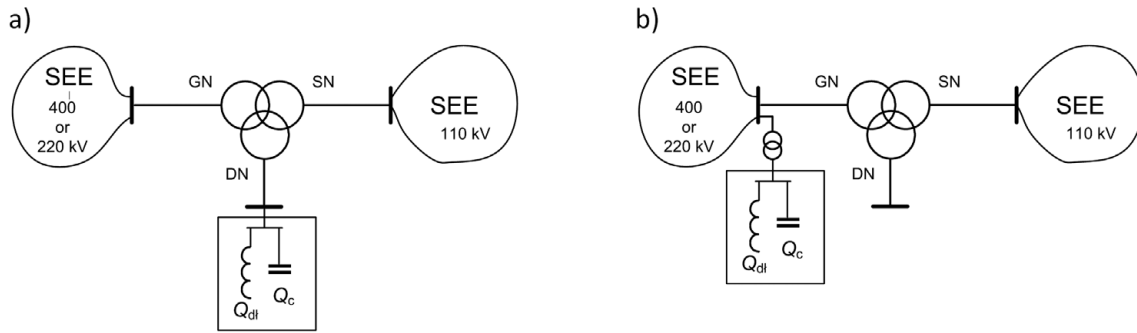


Fig. 3. Compensator connections in the tested nodes

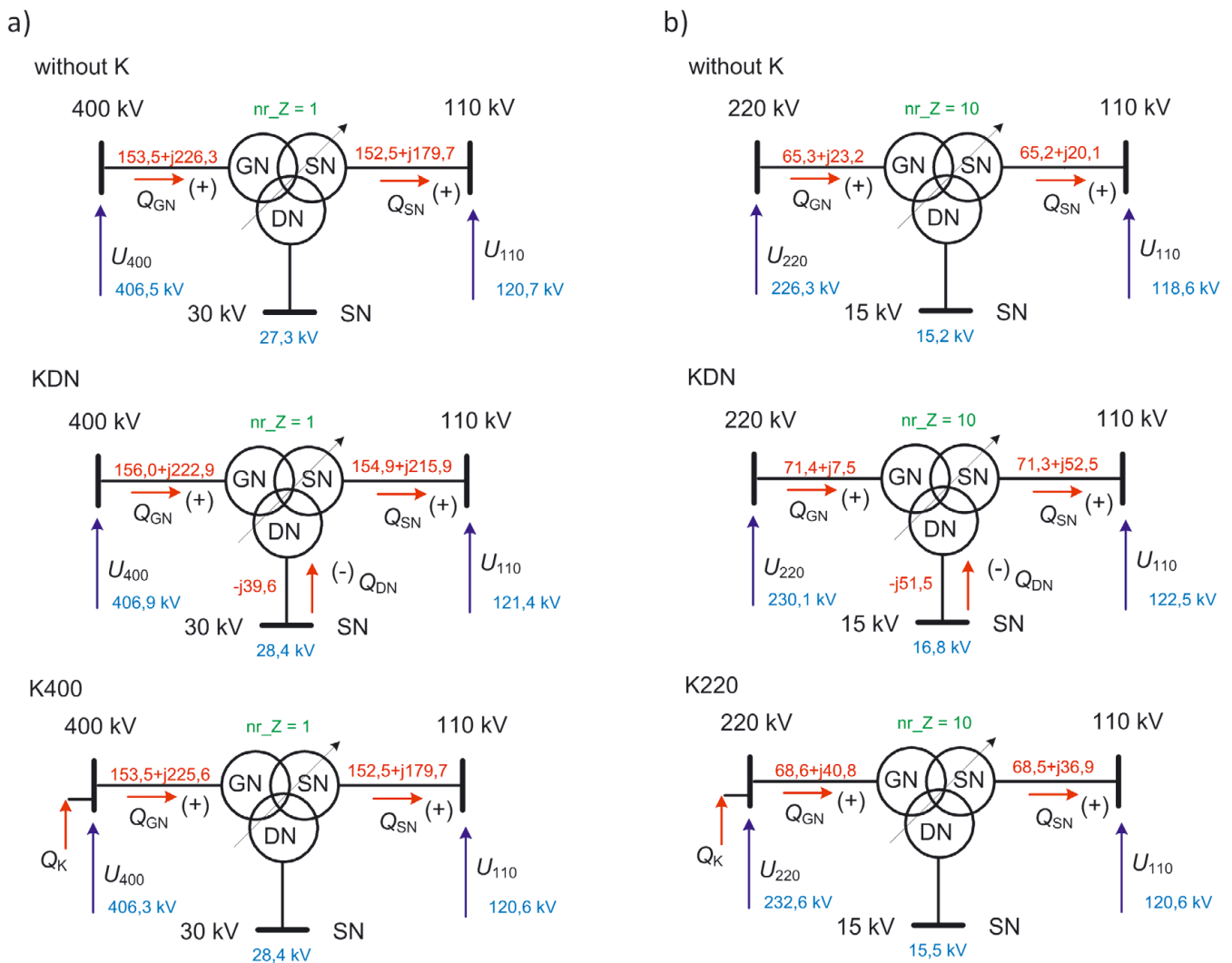


Fig. 4. Example voltages and power flows in the transformer for nodes: a) 400/110 kV substation, b) 220/110 kV substation [19]

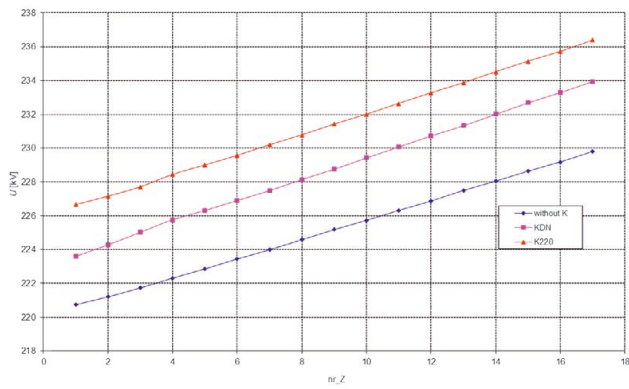
In the simulation tests, the voltage variability on all buses of the tested substation and the variability of reactive power flows through the transformer were analysed.

The use of static compensators in a grid should significantly improve its voltages, especially too low or too high operating voltages. The subsequent figures show the comparison of the impact of compensators connected to LV busbars (variant K400 or K220) with that of compensators connected to the third winding of LV/110 kV transformers (KDN variant), against the

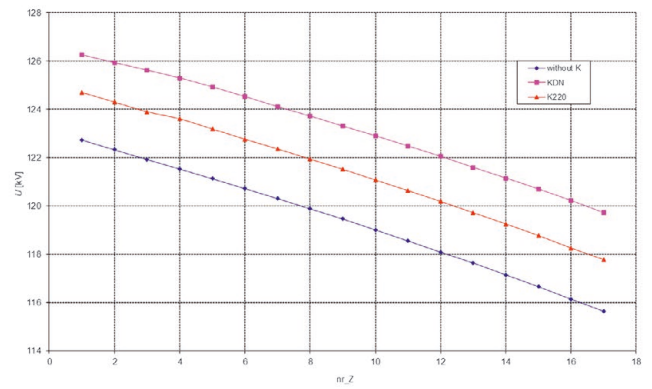
background of the absence of a compensator in a given node (variant without K). Example voltages and power flows in the transformer are shown in Fig. 4, 5 and 6.

Based on the tests, it was found that the best solution is to connect the compensators to the LV and HV grid busbars, and not to the third winding of the transformers coupling these grids. Connecting the compensator to the third winding makes the reactive power flow to the HV or LV grid. It depends on the transformer tap switch position. This is particularly important when

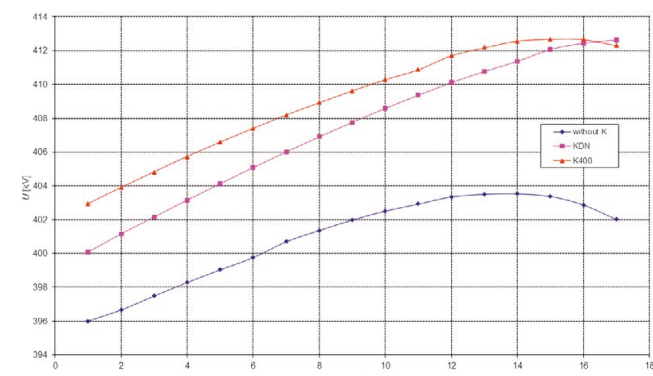
a) U_{220}



a) U_{110}



b) U_{400}



b) U_{110}

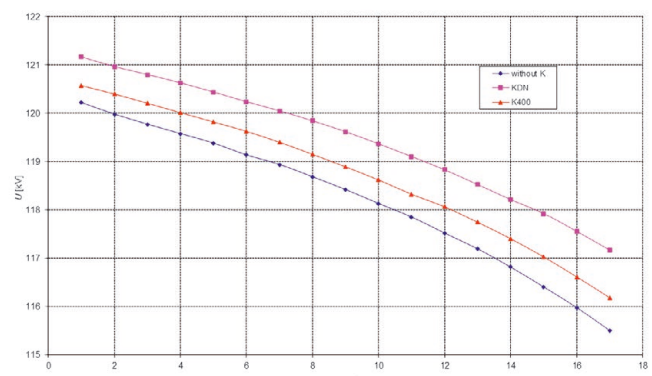
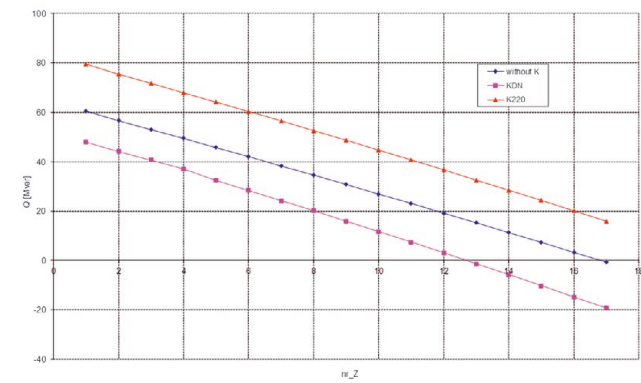
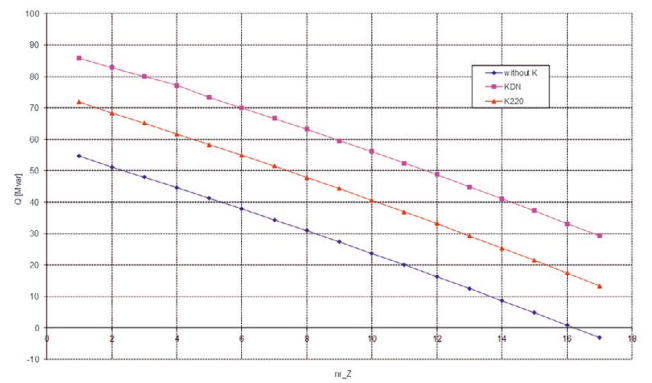


Fig. 5. Compensator location impact on voltage variability at busbars of a) 220/110 kV substation, b) 400/110 kV substation [19]

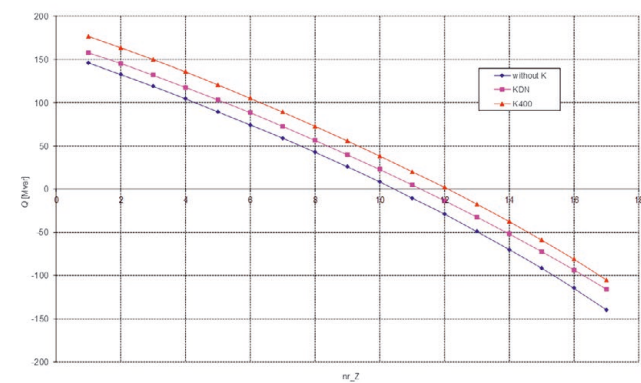
a) Q_{GN}



a) Q_{SN}



b) Q_{GN}



b) Q_{SN}

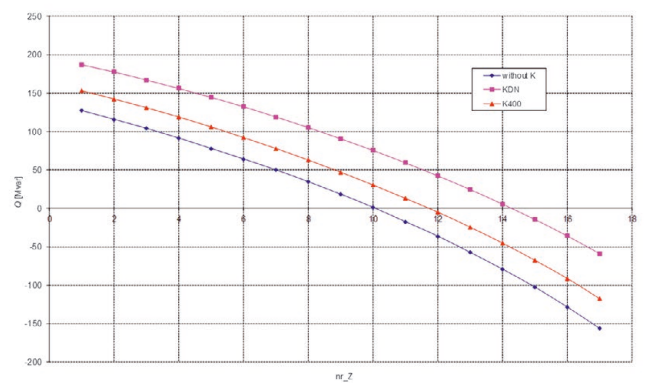


Fig. 6. Compensator location Impact on reactive power flow in the transformer: a) 220/110 kV substation, b) 400/110 kV substation [19]

the transformer is operated to the $U_{TWN} = \text{const.}$ criterion. Group regulation algorithms in RGWP transmission nodes (including ARST) should be changed to introduce control coordination taking into account the installation in the node of a capacitor bank, a compensation reactor, or a static compensator system, e.g. of the SVC type. Each decision to install a compensator, and how to install and then control it, etc., should be based on individual tests and technical and economic analyses.

4. Criteria for SE nodes selection for compensator installation

The installation of a compensator depends on its function in a given point of the power system. From the power system's and its transmission grid's point of view the voltage control criterion is the most important.

At the tests of the National Power System's model [19], one of the first tasks was to define the selection criteria for the nodes, where reactive power compensation would be advisable. Considering the voltage failures in our country in recent years, as well as in other power systems, the exposure to the risk of power deficit in the system was proposed as the main criterion. The occurrence of such a deficit results in the first place with undervoltages in these areas and eventually may lead to serious system failures. It was proposed a part of the study that the areas at risk of reactive power deficit be selected by simulation calculations consisting in gradual system load increases in the power system model, and the observation where and at what overload the voltages are exceeding their long-term admissible minima. The system was loaded by increasing the loads' power intake.

In order to check the expected results of the adopted method, many simulations were performed in the PLANS program, using the National Power System model [19, 20]. Because the generators in the PLANS program are devoid of active power control and operate always with a constant output power (set by the user), which, unfortunately, does not correspond to the actual power plant operation when the system's active power load is changing, the system in the tests was primarily loaded with reactive power increments. Based on the results, the voltage-threatened area can be easily determined, and the nodes can be selected for the compensator installation [20]. One of the best solutions may be to place a compensator in the node in the selected area's centre. The node selection should be guided primarily by the connections between individual nodes and the territorial range of the compensator's impact, which will allow minimizing the number of compensators. The final selection of nodes to install compensators, however, requires model testing of their interaction, as well as determining the degree of voltage risk reduction in the selected area after installing the compensator (compensators).

The selection of the power system nodes, where compensators should be installed is only part of the task because the other extremely important step is to determine the necessary reactive power output and intake of such a compensator.

Commonly known and available compensator power selection methods described in the literature, largely focus on the

selection of a compensator to adjust the power factor at the connection point with a view to supplying a specific load, or they allow the selection of a compensator to compensate the reactive power and to regulate the voltage in a single transmission string, in which the power flow and its direction, and thus the associated system voltage losses and drops, can be clearly determined. Analysis of complex systems, e.g. the national transmission grid is more complex, and these methods are not useful [20]. Therefore, three criteria have been proposed for the compensator power selection at any point of the transmission or distribution grid [4, 5, 19]:

1. Criterion one – analysis of voltages in normal states of the power system. This analysis shall identify too low or too high voltages at characteristic times of the day and determine the value the voltage in the point should be brought to at this time. Therefore, this analysis seeks to determine the voltage difference that should be “injected” by the compensator in order to shift the node's operating point relative to the limitation.
2. Criterion two – analysis of N-1 states assuming that the occurrence of such a state should not change the node voltage in relation to the normal state. Therefore, the voltage difference to be compensated by the compensator is determined at each N-1 state in each node selected for the compensator installation.
3. Criterion three – 10% change in the power system load should not change the node voltage. This analysis allows determining how much the compensator must “correct” the node voltage to retain it as before the load change. For each node selected for the compensator installation the voltage difference to be compensated by the compensator at incremental/decremental system loads is determined.

The proposed method does not take into account all possible voltage changes in the assumed compensator connection node. It can be used for initial selection of the unit, however, in order to fully consider the entire required range of voltage regulation by compensators, at the stage of their final selection in the detailed design the specific daily voltage change profiles in the connection node on the most characteristic days of the year should be taken into account.

It should be emphasized here that the selection of nodes for the compensator installation absolutely must be combined with the concurrent determination of their power [19].

5. Summary

Reactive power shortages in a power system lead to a significant reduction of its voltages. In such situations, all reactive power sources that can support power plant generators' reactive power output are valuable components of the system. Such devices are undoubtedly the classic compensators (capacitor banks) and more modern systems from the FACTS group.

There is no doubt that the use of static compensators in a power system helps to improve its local and global stability. Correct selection of the installation location and parameters of a given unit remains a considerable problem.

REFERENCES

1. Faruque M.O. et al., Review of Electromagnetic Transient Models for Non-VSC FACTS, IEEE Transactions on Power Delivery, Vol. 20, No. 2, 2005.
2. Hingorani N.G., Flexible ac transmission, IEEE SPECTRUM April 1993.
3. Kodsı S.K.M., Cañizares C.A., Kazerani M., Reactive current control through SVC for load power factor correction, *Electric Power System Research*, No. 76, 2006.
4. Kowalak R., Kompensatory i ich wpływ na pracę systemu elektroenergetycznego [Compensators and their impact on the power system operation], *Monografie series*, No. 181, Wydawnictwo Politechniki Gdańskiej, Gdańsk 2019.
5. Kowalak R. et al., Statyczne kompensatory bocznikowe i ich lokalizacja w sieci przesyłowej [Static shunt compensators and their locations in the transmission grid], *Energetyka, problemy energetyki i gospodarki paliwowo-energetycznej*, No. XXIII, 2012, pp. 6–11.
6. ABB Advanced Power Electronics, ABB Switzerland Ltd., Advanced Power Electronics, 3BHS237242 ZAB E01 [acquired from the company in July 2010].
7. ABB STATCOM For flexibility in power systems, ABB Power Systems AB, A02-0165E, [acquired from the company in July 2010].
8. AMSC™ SVC Static Var Compensator, American Superconductor Corporation, 2008.
9. Modelling of SVC in Power System Studies, ABB Power Systems AB, information NR 500-026E, April 1996.
10. Power Transmission and Distribution, Discover the World of FACTS Technology, Technical Compendium, SIEMENS AG Power Transmission and Distribution High Voltage Division, No E50001-U131-A99-X-7600.
11. STATCOM solutions for Wind Farm, ABB Switzerland Ltd., Advanced Power Electronics, 3BHT490587R0001, 2008.
12. STATCOM, ABB Switzerland Ltd., Advanced Power Electronics, 3BHT490522R0001, 2006.
13. SVC Configuration Optimisation, Nokian Capacitors Ltd., EN-TH18-03/2007, 2007.
14. SVC StaticVarCompensator, ABB Power Technologies AB, A02-0100E [acquired from the company in July 2010].
15. Using Dynamic Reactive Compensation to Mitigate Voltage Sags at a Micron Technology Semiconductor Manufacturing Facility, American Superconductor Corporation, MCRN_CS_0610, 2010.
16. Oskoui A. et al., Holly STATCOM – FACTS to replace critical generation, operation experience [acquired from ABB in July 2010].
17. Strzelecki R., Benysek G., Układy STATCOM i ich rola w systemie elektroenergetycznym [STATCOM systems and their role in the power system], International Scientific and Technical Conference “Modern power supply devices in the energy sector”, Koźnice, March 2004.
18. Zajczyk R., Modele matematyczne systemu elektroenergetycznego do badania elektromechanicznych stanów nieustalonych i procesów regulacyjnych [Mathematical models of power system for examination of elektro-mechanical unsteady states and control processes], Wydawnictwo Politechniki Gdańskiej, Gdańsk 2003.
19. Zajczyk R. et al., Instalowanie kompensatorów w sieci przesyłowej KSE [Compensator installation in the Polish national transmission grid]. *Problematyka mocy biernej w sieciach dystrybucyjnych i przesyłowych*, Wiśła, Dec. 7–8 2010.
20. Zbroński A., Metoda lokalizacji układów kompensatorów statycznych w systemie elektroenergetycznym [A method of the location of static compensators in the power system] doctoral dissertation, Politechnika Gdańska, Gdańsk 2016.

Ryszard Zajczyk

Gdańsk University of Technology
e-mail: ryszard.zajczyk@pg.gda.pl

The author specialises in power systems engineering. He is Chair of the Power Engineering Department at the Faculty of Electric Engineering and Automatics of Gdańsk University of Technology. Graduated in power engineering, 1978 from the Faculty of Electrical Engineering of Gdańsk University of Technology. At the Gdańsk University of Technology he defended his doctorate (1988), habilitation (1997) and obtained the title of professor (2004). He researches mainly issues of power system operation in adequate and unsteady states, with particular focus on regulation and control processes, the impact of renewable sources, including wind generation, on power systems, and power system cooperability with high voltage power-electronic devices. He is the author of many publications and scientific papers in this field, many of which were developed for PSE Operator and energy companies.

Robert Kowalak

Gdańsk University of Technology
e-mail: robert.kowalak@pg.edu.pl

He graduated from the Faculty of Electrical and Control Engineering at Gdańsk University of Technology (2000). Received his PhD in engineering at the same faculty (2005). Presently, he has been working as a senior lecturer in the Power Engineering Department of the Faculty of Electrical and Control Engineering at Gdańsk University of Technology. His professional interests include high-voltage power electronics systems (FACTS, HVDC), modelling the operation of power electronics systems in a power system, cooperation of power supply systems with traction power systems, and issues related to the allocation of reactive power compensator in power system, and voltage control in power system. He has authored and co-authored more than 50 publications.

Artur Zbroński

DNV GL, Maritime Advisory Poland

e-mail: ArturZbronski@gmail.com

Graduated in electric power engineering from the Faculty of Electrical and Control Engineering at Gdańsk University of Technology. PhD received at the same faculty (2016). He was a research assistant at his home faculty and was mainly involved in research on reactive power regulation in power systems (2009–2014). Since 2014 an advisor at DNV GL, analyses power systems on mobile offshore units, and wind farm installations for certification. Participates in R&D programs of Digital Twin solutions in the maritime industry.

This is a supporting translation of the original text published in this issue of "Acta Energetica" on pages 59–66. When referring to the article please refer to the original text.

PL

Instalowanie kompensatorów w sieci przesyłowej systemu elektroenergetycznego

Autorzy
Ryszard Zajczyk
Robert Kowalak
Artur Zbroński

Słowa kluczowe
kompensacja mocy biernej, systemy elektroenergetyczne, sieci przesyłowe

Streszczenie

W artykule przedstawiono problemy dotyczące kompensacji mocy biernej w sieciach przesyłowych ze szczególnym zwróceniem uwagi na problem ich lokalizacji i doboru podstawowych parametrów. Uwagę skupiono na nowoczesnych układach energoelektronicznych, zapewniających pełną automatyczną regulację kompensatora według kryteriów napięciowych lub mocowych.

Data wpływu do redakcji: 11.08.2019
Data wystawienia recenzji: 07.08.2019, 10.08.2019
Data akceptacji artykułu: 11.08.2019
Data publikacji online: 30.10.2019

1. Wstęp

Deficyt mocy biernej jest podstawowym czynnikiem wywołującym awarie napięciowe w systemach elektroenergetycznych na całym świecie. Zjawiskami, które przyczyniają się do powstania deficytu mocy biernej, są:

- załączenie dużej liczby odbiorów skupionych w określonym punkcie systemu
- awaria któregoś z elementów systemu
- zwarcie, w następstwie którego dochodzi do wyłączenia elementów systemu (linie, transformatory, bloki wytwórcze).

Do skutecznego przeciwdziałania deficytowi mocy biernej, a w razie jego wystąpienia do efektywnego jego ograniczenia niezbędna jest w systemie obecność dodatkowych źródeł mocy biernej.

Zachodzące w systemach elektroenergetycznych zmiany wymuszają poszukiwanie rozwiązań technicznych, które w dużej mierze są w stanie poprawić zdolności regulacji i sterowania przepływami energii elektrycznej w sieci zasilającej. Prowadzone w różnych ośrodkach prace doprowadziły do powstania grupy układów opartych na najnowszych rozwiązaniach z dziedziny elementów półprzewodnikowych wielkiej mocy, nazywanych urządzeniami (układami) FACTS. Nazwa FACTS wywodzi się z angielskiego terminu *Flexible Alternating Current Transmission Systems* [1], co na język polski można przetłumaczyć jako elastyczne systemy przesyłowe prądu przemiennego – słowo „elastyczne” oznacza zdolność układów do regulacji napięć, mocy czynnej i biernej, a przede wszystkim do regulacji przepływów mocy w sieci przesyłowej [5]. Podstawową cechą układów FACTS, wyróżniającą je na tle innych rozwiązań, jest niewątpliwie duża szybkość działania przy równoczesnej dużej elastyczności prowadzonej regulacji.

Spośród kompensatorów mocy biernej w Krajowym Systemie Elektroenergetycznym (KSE) największe zastosowanie w sieciach przesyłowych znajdują tradycyjne baterie

kondensatorów i/lub dławików do kompensacji mocy biernej, załączane łącznikami elektromechanicznymi. Rozwój technologiczny na świecie doprowadził do wprowadzenia do systemu nowocześniejszych źródeł mocy biernej w postaci energoelektronicznych kompensatorów statycznych bocznikowych, należących do grupy urządzeń FACTS. Do grupy tej zaliczamy układy typu SVC (ang. *Static Var Compensator*) – statyczne kompensatory mocy biernej oraz układy typu STATCOM (ang. *Static Compensator*) – statyczne generatory mocy biernej, jak również układy stanowiące hybrydę obu tych rozwiązań. Obecnie układy tego typu nie są jeszcze stosowane w KSE.

Wpływ kompensatora zainstalowanego w SE na sytuację napięciową jest uzależniony od wielu czynników. Istotne są:

- wartość mocy znamionowej jednostki
- miejsce zainstalowania (podłączenia do systemu)
- typ jednostki
- umiejscowienie w systemie względem miejsc zagrożonych wystąpieniem deficytu mocy biernej oraz innych źródeł mocy biernej (m.in. jednostek wytwórczych).

2. Stosowane rozwiązania kompensatorów

Ogólnie stosowane układy kompensatorów bocznikowych możemy podzielić na dwie podstawowe grupy: kompensatory elektromaszynowe i kompensatory statyczne.

Kompensatorami elektromaszynowymi są przede wszystkim tzw. kompensatory synchroniczne, czyli regulowane maszyny synchroniczne pobierające lub oddające moc bierną. Układy te jako wydzielone urządzenia w systemie elektroenergetycznym spotykane są stosunkowo rzadko. Związane jest to przede wszystkim z tym, że wymagają budynków i obsługi, a więc powodują znaczące koszty eksploatacyjne. Rolę takiego kompensatora mogą też pełnić w pewnych warunkach generatory elektrowni.

W ramach grupy kompensatorów statycznych możemy wyróżnić kompensatory klasyczne oraz kompensatory energoelektroniczne. W kompensatorach klasycznych do prowadzenia procesów łączeniowych stosuje się łączniki mechaniczne. Podstawowymi wadami tych łączników są stosunkowo długie czasy przełączania oraz zużywanie się elementów mechanicznych, co z kolei decyduje o liczbie możliwych do wykonania łączeń. Decyduje to zasadniczo o ograniczeniach w zastosowaniu tych układów, w szczególności w procesach regulacji systemu podczas stanów przejściowych. Do tej grupy kompensatorów zaliczamy kondensatory załączane łącznikami elektromechanicznymi oraz dławiki załączane również takimi łącznikami.

Kondensatory załączane łącznikami elektromechanicznymi (ang. *Mechanically Switched Capacitor* – MSC) to powszechnie stosowane źródła mocy biernej. Znalazły zastosowanie przede wszystkim w zakładach przemysłowych jako elementy służące poprawie współczynnika mocy, ale również w sieciach elektroenergetycznych, także do poprawy współczynnika mocy, jak również do podniesienia wartości napięcia w punkcie przyłączenia w sytuacjach, kiedy osiąga ono niskie wartości.

Dławiki załączane łącznikami elektromechanicznymi (ang. *Mechanically Switched Reactor* – MSR) to powszechnie stosowane odbiorniki mocy biernej, wykorzystywane wszędzie tam, gdzie pojawia się nadmiar mocy biernej. Mogą być stosowane w tych zakładach przemysłowych, w których występuje duża liczba źródeł mocy biernej, co okresowo może prowadzić do przekompensowania, właśnie w celu jego likwidacji, oraz w sieciach elektroenergetycznych przede wszystkim do kompensacji mocy biernej, wytwarzanej przez słabo obciążone linie, aby nie dopuścić do nadmiernego wzrostu napięcia w poszczególnych węzłach systemu elektroenergetycznego.

This is a supporting translation of the original text published in this issue of "Acta Energetica" on pages 59–66. When referring to the article please refer to the original text.

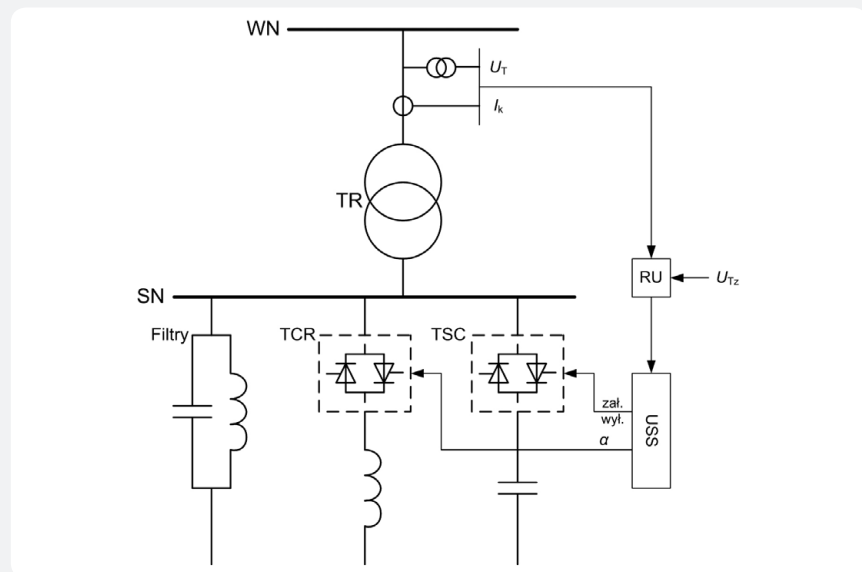
PL

Mimo wprowadzenia nowszych wersji kompensatorów nie rezygnuje się z instalowania wymienionych rozwiązań. Układy tego typu z powodzeniem można wykorzystywać tam, gdzie nie ma potrzeby prowadzenia regulacji w stanach dynamicznych, a w stanach normalnych regulację przeprowadza się stosunkowo rzadko (np. pojedyncze łączenia na dobę).

Kompensatory energoelektroniczne są najnowocześniejszymi układami w systemie elektroenergetycznym, które umożliwiają regulację napięć, gdzie nie ma potrzeby prowadzenia regulacji w stanach dynamicznych, a w stanach normalnych regulację przeprowadza się stosunkowo rzadko (np. pojedyncze łączenia na dobę).

Kompensatory energoelektroniczne są najnowocześniejszymi układami w systemie elektroenergetycznym, które umożliwiają regulację napięć, gdzie nie ma potrzeby prowadzenia regulacji w stanach dynamicznych, a w stanach normalnych regulację przeprowadza się stosunkowo rzadko (np. pojedyncze łączenia na dobę).

- TSC (ang. *Thyristor Switched Capacitor*) – kondensator załączany tyrystorowo: układy tego typu składają się z jednej lub kilku współpracujących ze sobą 3-fazowych sekcji TSC, w skład każdej sekcji, oprócz kondensatorów, wchodzi również łączniki tyrystorowe, które są załączane lub wyłączane w zależności od sumarycznej mocy bierniej, jaką ma dostarczać cały układ
- TSR lub TCR – układy posiadające tylko człony indukcyjne składają się z sekcji TSR (ang. *Thyristor Switched Reactor*) lub TCR (ang. *Thyristor Controlled Reactor*); TSR to dławiki załączane tyrystorowo, natomiast TCR są dławikami o tyrystorowo regulowanej indukcyjności; kompensator typu TSR zazwyczaj składa się z kilku 3-fazowych sekcji, których łączniki tyrystorowe są załączane lub wyłączane w zależności od mocy bierniej, jaką ma dostarczać cały człon, co zapewnia tylko skokową regulację indukcyjności; podobną budowę ma kompensator typu TCR – podstawowa różnica pomiędzy tymi układami polega na tym, że układ TCR pozwala na uzyskanie płynnej regulacji wartości indukcyjności
- TCR-FC – układy, które tworzą dwa rodzaje elementów: pierwszy to moduły TCR pobierające moc bierną, drugi to stałe baterie kondensatorów FC (ang. *Fixed Capacitors*), do których zalicza się również filtry wyższych harmonicznych



Rys. 1. Przykładowa struktura kompensatora SVC typu TCR-TSC-FC: USS – układ sterowania susceptancją, RU – regulator napięcia, TR – transformator WN/SN, α – kąt zapłonu tyrystorów TCR, U_{tr} – napięcie zadane, U_T – napięcie kontrolowane, I_k – prąd kompensatora

o charakterze pojemnościowym, stanowiąc niezbędny element, jeżeli chodzi o pracę układu TCR; układy FC stanowią źródło mocy bierniej

- TCR-TSC-FC – kompensatory tego typu składają się z dwóch grup elementów: pierwszą grupę stanowią układy dławików regulowanych tyrystorowo TCR; drugą grupę tworzą układy TSC stanowiące podstawowe źródło mocy bierniej oraz filtry wyższych harmonicznych (postrzegane jako stałe pojemności – FC) stanowiące dodatkowe źródło mocy bierniej; obecność filtrów jest niezbędna w celu eliminowania zakłóceń wprowadzanych przez układy TCR, można również wprowadzać filtry eliminujące inne zakłócenia, nie pochodzące z samego kompensatora
- TSR-TSC – kompensatory tego typu również składają się z dwóch grup elementów: pierwszą grupę stanowią dławiki załączane tyrystorowo TSR, a drugą – układy TSC.

Zaprezentowany podział układów wzorowano na podziałach stosowanych przez wytwórców kompensatorów SVC [2, 4, 8, 9, 10, 13, 14].

Na rys. 1 zaprezentowano strukturę układu SVC typu TCR-TSC-FC z regulatorem napięcia, składającą się z jednej gałęzi TCR, jednej gałęzi TSC i filtrów wyższych harmonicznych.

Drugą grupę stanowią układy typu STATCOM (ang. *Static Compensator*). Zostały one opracowane z myślą o prowadzeniu regulacji przede wszystkim napięcia, ale mogą z powodzeniem pełnić te same funkcje, które pełnią układy SVC. Z punktu widzenia systemu elektroenergetycznego są widziane jako źródła napięcia przemiennego o regulacji ciągłej, przyłączone do systemu za pośrednictwem transformatora WN/SN. Stworzenie takiego źródła było możliwe dzięki zastosowaniu przekształtnika z tyrystorami GTO. Pierwsze konstrukcje STATCOM zastosowano w latach 80.

ubiegłego wieku [3], a ich rozkwit rozpoczął się w latach 90. Układy te znalazły zastosowanie jako kompensatory mocy bierniej, a także regulatory napięcia. Dzięki bardzo dużej szybkości prowadzonej regulacji z powodzeniem mogą być wykorzystane do tłumienia kołysań mocy, a także ograniczania zapadów napięcia występujących w sieci, a więc jako elementy poprawiające jakość napięcia w sieci zasilającej [17]. Pod względem konstrukcyjnym można wyróżnić dwie podstawowe gałęzie tych układów:

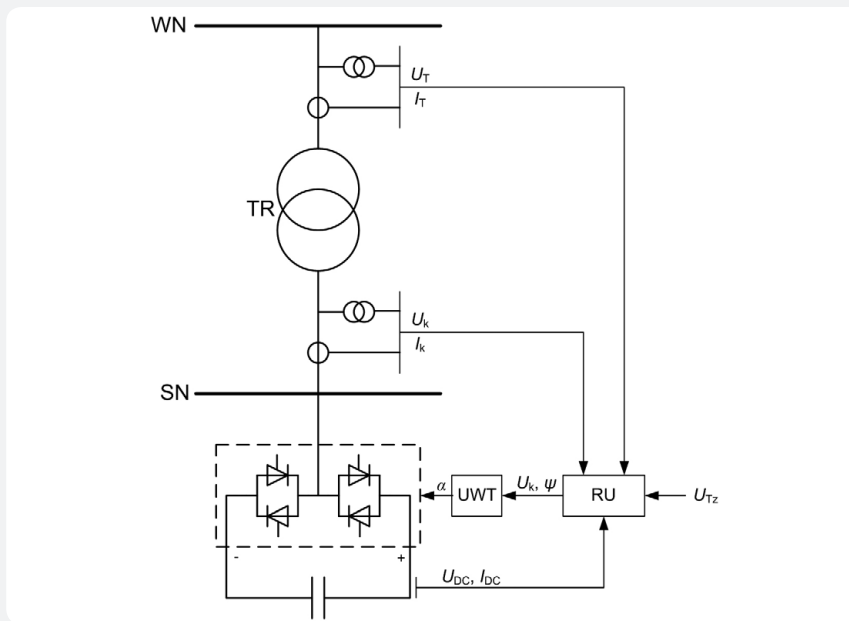
- układy STATCOM typu CSI (ang. *Current Source Inverter*) – układy, w których wykorzystano jako przekształtnik przetwornicę prądu charakteryzującą się tym, że jej obciążeniem po stronie DC jest indukcyjność; nie znalazły one dotychczas szerszego zastosowania w układach pracujących w systemach elektroenergetycznych
- układy STATCOM typu VSI (ang. *Voltage Source Inverter*) – układy, w których wykorzystano jako przekształtnik przetwornicę napięcia charakteryzującą się tym, że jej obciążeniem po stronie DC jest kondensator.

Strukturę układu STATCOM opartą na przetwornicy VSI z regulatorem napięcia zaprezentowano na rys. 2. Układy tego typu rozpowszechniły się jako układy przeznaczone do współpracy z elektrowniami wiatrowymi, odbiorami niespokojnymi (np. hutę), a także do regulacji napięcia w węzłach systemu elektroenergetycznego [5, 7, 11, 12, 15, 16].

Wśród rodziny kompensatorów bocznikowych firmy zajmujące się ich wytwarzaniem wprowadziły na rynek układ, który można określić jako SVC na bazie STATCOM. Ten układ jest hybrydą scalającą w jeden obiekt SVC i STATCOM. Struktura tych układów bazuje na strukturze układów SVC, ale dławiki sterowane tyrystorowo (TCR) zostały w nich zastąpione układami STATCOM. Jest to najnowsze i jak na razie najdroższe z rozwiązań kompensatorów.

This is a supporting translation of the original text published in this issue of "Acta Energetica" on pages 59–66. When referring to the article please refer to the original text.

PL



Rys. 2. Struktura układu STATCOM: TR – transformator WN/SN, RU – regulator napięcia, UWT – układysterowania tyrystorów, α – sygnałysterowania przekształtnika, U_{Tz} – napięcie zadane, U_T – napięcie kontrolowane, I_T – prąd kompensatora, U_k – napięcie przekształtnika, I_k – prąd przekształtnika, U_{DC} – napięcie w obwodzie DC, I_{DC} – prąd w obwodzie DC

3. Wpływ miejsca podłączenia kompensatorów na system elektroenergetyczny

Sposób podłączenia kompensatora może mieć wpływ na jego oddziaływanie na sieć zasilającą. Badania symulacyjne wpływu kompensatorów statycznych na poziomy napięcie i rozprawy mocy bierniej przeprowadzono za pomocą programu PLANS, z wykorzystaniem przykładowego systemu elektroenergetycznego. Badaną sieć elektroenergetyczną zamodelowano według zasad stosowanych do obliczeń rozprawy mocy: linie i transformatory modelowano jako czwórniki (R, X, B) z uwzględnieniem automatycznej regulacji przekładni transformatorów. Dla generatorów zamodelowano ich obszar dopuszczalnych stanów pracy oraz ich pracę w układzie automatycznej regulacji napięcia z uwzględnieniem ograniczników prądu stojana i prądu wirnika.

Generatory synchroniczne pracowały według kryterium $U_{gz} = \text{const.}$, a transformatory energetyczne według jednego z kryterium $U_T \vee Q_T \vee n_{zacz} = \text{const.}$

Przeanalizowano pracę wybranych węzłów sieci przesyłowej NN i rozdzielczej 110 kV. Dla każdego z węzłów analizowano dwie sytuacje:

- włączenie kompensatora do trzeciego uzwojenia transformatora NN/110 kV, co odpowiada sytuacji przyłączenia do tych uzwojeń np. baterii kondensatorów (w zależności od węzła 2-, 3- lub 4-stopniowej) – rys. 3a
- przyłączenie kompensatora do szyn NN – rys. 3b.

Poszczególne uzwojenia transformatora 3-uzwojeniowego oznaczono jako:

- GN – uzwojenie górne (w zależności od węzła 400 lub 220 kV)
- SN – uzwojenie średnie (110 kV)
- DN – uzwojenie dolne (w zależności od węzła 30 lub 15 kV).

W czasie badań symulacyjnych analizowano zmienność napięć na wszystkich szynach badanej stacji oraz zmienność przepływów mocy bierniej przez transformator.

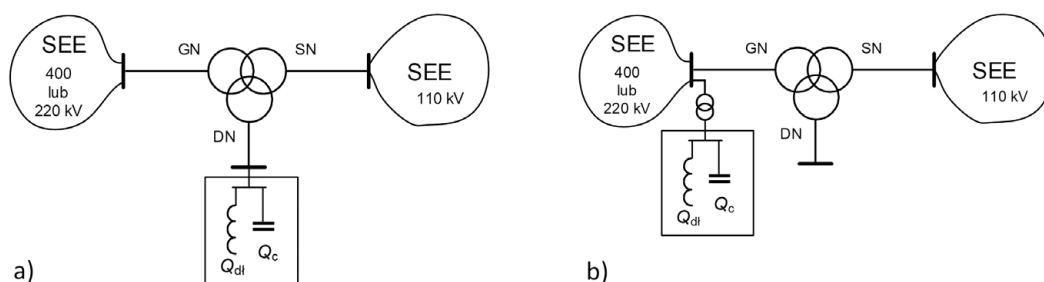
Stosowanie kompensatorów statycznych w sieciach powinno znacząco poprawiać sytuację napięciową, szczególnie w stanach

za niskich lub za wysokich napięć roboczych. Porównanie wpływu kompensatorów przyłączanych do szyn NN (wariant K400 lub K220) z kompensatorami przyłączonymi do trzecich uzwojeń transformatorów NN/110 kV (wariant KDN), na tle sytuacji braku kompensatora w danym węźle (wariant bez K), przedstawiono dla wybranych badań na kolejnych rysunkach. Przykładowe poziomy napięcie oraz przepływy mocy przez transformator przedstawiono na rys. 4, 5 i 6. Na podstawie przeprowadzonych badań stwierdzono, że najlepszym układem powinno być instalowanie kompensatorów do szyn w sieci NN i WN, a nie do trzecich uzwojeń transformatorów sprzęgających te sieci. Przyłączenie kompensatora do trzeciego uzwojenia powoduje to, że moc bierna płynie do sieci WN lub do sieci NN. Zależy to jest od położenia przełącznika zaczepu transformatora. Jest to istotne szczególnie wtedy, gdy transformator pracuje według kryterium $U_{TWN} = \text{const.}$ Algorytmy regulacji grupowej w węzłach przesyłowych RGWP (w tym ARST) powinny być zmienione w taki sposób, aby wprowadzić koordynację sterowań uwzględniającą zainstalowanie w węźle baterii kondensatorów, dławika kompensacyjnego czy układu kompensatora statycznego typu np. SVC. Każdorazowa decyzja o instalacji kompensatora, sposobie jego instalacji, sposobie sterowania itp. powinna być oparta na indywidualnych badaniach i analizach technicznych i ekonomicznych.

4. Kryteria wyznaczania węzłów w SE do instalowania w nich kompensatorów

Instalowanie kompensatorów jest uzależnione od funkcji, jaką taki kompensator ma w danym punkcie systemu elektroenergetycznego pełnić. Z punktu widzenia SE i jego sieci przesyłowej najbardziej istotne jest kryterium regulacji napięcia.

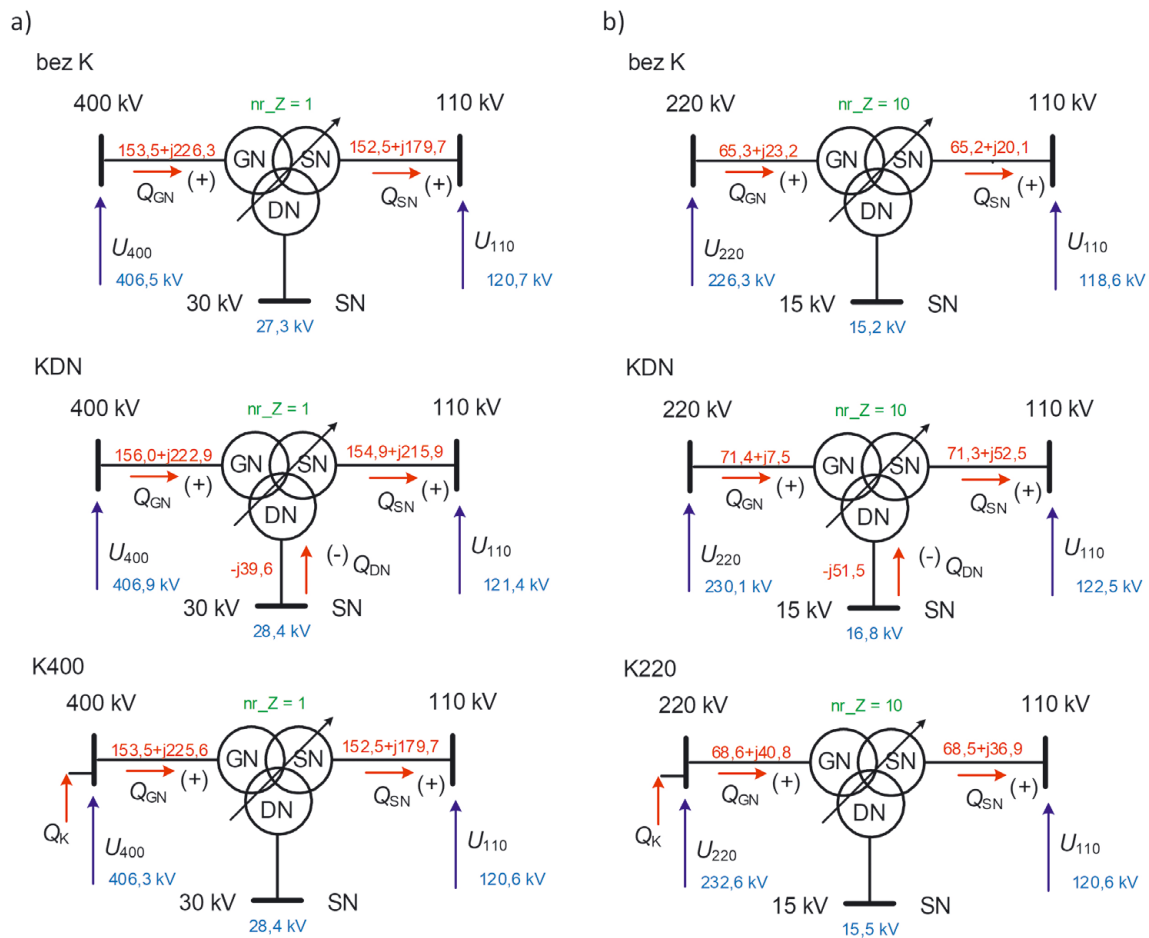
W ramach prowadzonych badań na modelu KSE [19] jednym z pierwszych zadań było określenie kryteriów służących do typowania węzłów, w których wskazana byłaby kompensacja mocy bierniej. Uwzględniając awarie napięciowe, jakie w ostatnich latach wystąpiły w naszym kraju, jak również w innych systemach elektroenergetycznych, jako główne kryterium zaproponowano typowanie obszarów zagrożonych wystąpieniem deficytu mocy bierniej na terenie SE. Wystąpienie takiego deficytu skutkuje bowiem w pierwszej kolejności zaniżaniem wartości napięć w tych obszarach, a w efekcie końcowym może prowadzić do poważnych



Rys. 3. Sposoby włączania kompensatorów w badanych węzłach

This is a supporting translation of the original text published in this issue of "Acta Energetica" on pages 59–66. When referring to the article please refer to the original text.

PL



Rys. 4. Przykładowe poziomy napięć oraz przepływy mocy przez transformator dla węzłów: a) stacja 400/110 kV, b) stacja 220/110 kV [19]

awarii systemu. W ramach prowadzonych prac zaproponowano, aby obszary zagrożone deficytem mocy biernej były typowane za pomocą obliczeń symulacyjnych, polegających na stopniowym zwiększaniu w modelu SE obciążenia systemu i obserwowaniu, w których miejscach i przy jakiej wartości przeciążenia napięcia przekraczają minimalne dopuszczalne długotrwałe wartości. Dociażanie systemu wykonywano poprzez zwiększanie wartości mocy pobieranej przez odbiory.

W celu sprawdzenia, jakie wyniki da przyjęta metoda, wykonano wiele symulacji w programie PLANS, wykorzystując model KSE [19, 20]. Ponieważ w programie PLANS generatory pozbawione są układów regulacji mocy czynnej i pracują cały czas ze stałą mocą (zadaną przez użytkownika), co niestety nie odpowiada rzeczywistości zachowaniu się elektrowni przy zmianie obciążenia systemu w zakresie mocy czynnej, badania wykonywano, przede wszystkim dociażając system mocą bierną. Na podstawie uzyskanych wyników bez problemu można określić zagrożony napięciowo obszar i wytypować węzły, w których należy rozpatrzyć zainstalowanie kompensatorów [20]. Jednym z lepszych rozwiązań może być umieszczenie kompensatora w węzle znajdującym się na środku wytypowanego obszaru. Przy wyborze węzła należy

się kierować przede wszystkim powiązaniami pomiędzy poszczególnymi węzłami i możliwością oddziaływania kompensatora na jak największą część zagrożonego obszaru, co pozwoli na zminimalizowanie liczby kompensatorów. Ostateczne wytypowanie węzłów do zainstalowania w nich kompensatorów wymaga jednak badań modelowych, dotyczących ich wzajemnego oddziaływania, jak również określenia stopnia zmniejszenia zagrożenia napięciowego w wytypowanym obszarze już po zainstalowaniu w nim kompensatora (kompensatorów).

Wytypowanie w systemie elektroenergetycznym węzłów, w których należy wstawić kompensatory, stanowi tylko część zadania, bowiem drugą niezmiernie ważną czynnością jest określenie mocy biernej, jaką taki kompensator musi dysponować w zakresie generacji, jak i poboru.

Powszechnie znane i dostępne metody doboru wartości mocy kompensatora, opisane w literaturze fachowej, w dużej mierze koncentrują się na doborze kompensatora nastawionego na regulację współczynnika mocy w punkcie przyłączenia pod kątem konkretnego odbioru bądź pozwalają na dobór kompensatora do kompensacji mocy biernej i regulacji napięcia w pojedynczym ciągu przesyłowym, w którym jednoznacznie możemy określić kierunek

i wartość przepływającej mocy, a tym samym towarzyszące temu powstające w układzie straty i spadki napięć.

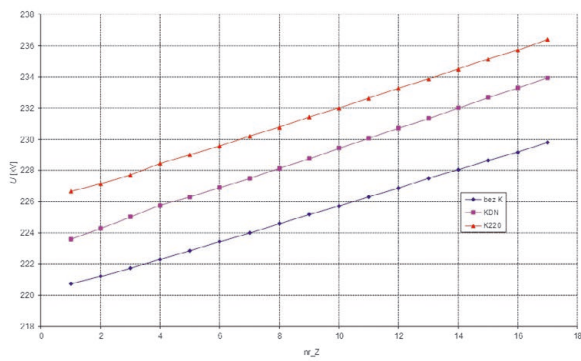
W analizie układów złożonych, np. sieci przesyłowej KSE, sprawa jest bardziej złożona i te metody są nieprzydatne [20]. W związku z taką sytuacją zaproponowano trzy kryteria do stosowania w doborze mocy kompensatora w dowolnym punkcie sieci przesyłowej lub rozdzielczej [4, 5, 19]:

1. Kryterium pierwsze – analiza poziomów napięciowych w stacjach normalnych systemu elektroenergetycznego. Analiza ta ma posłużyć określeniu zbyt małych lub zbyt wysokich wartości napięć w charakterystycznych punktach doby i określeniu, do jakiej wartości w danej porze napięcie należy w danym punkcie sprowadzić. Analiza ta zakłada więc określenie różnicy napięć, jaką trzeba kompensatorem „wprowadzić” w celu przesunięcia punktu pracy węzła względem ograniczenia.
2. Kryterium drugie – analiza stanów N-1 przy założeniu, że wystąpienie takiego stanu nie powinno spowodować zmiany wartości napięcia w węzle w stosunku do stanu normalnego. Dla wytypowanego węzła do zainstalowania kompensatora dla poszczególnych stanów N-1 wyznacza się więc różnicę napięć, jaką ma „skompenrować” kompensator.

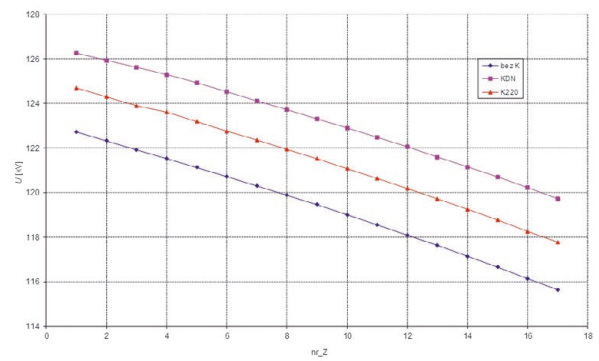
This is a supporting translation of the original text published in this issue of "Acta Energetica" on pages 59–66. When referring to the article please refer to the original text.

PL

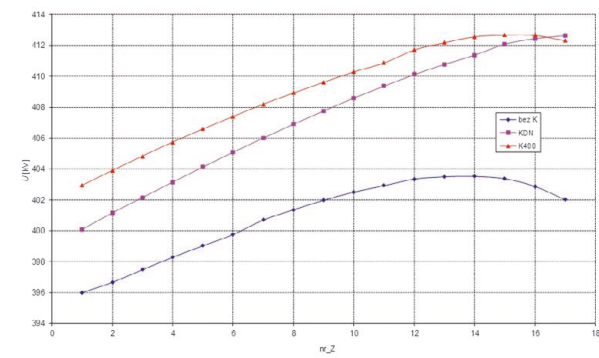
a) U_{220}



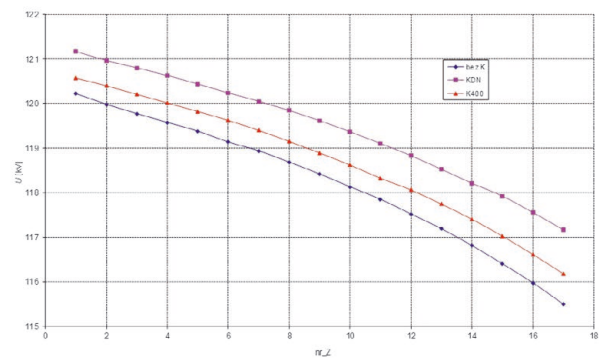
a) U_{110}



b) U_{400}

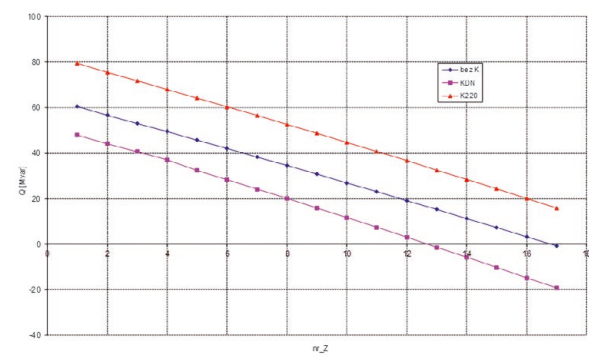


b) U_{110}

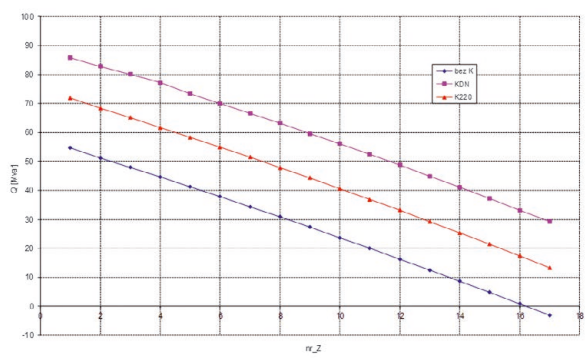


Rys. 5. Wpływ miejsca lokalizacji kompensatora na zmienność napięć na szynach: a) stacja 220/110 kV, b) stacja 400/110 kV [19]

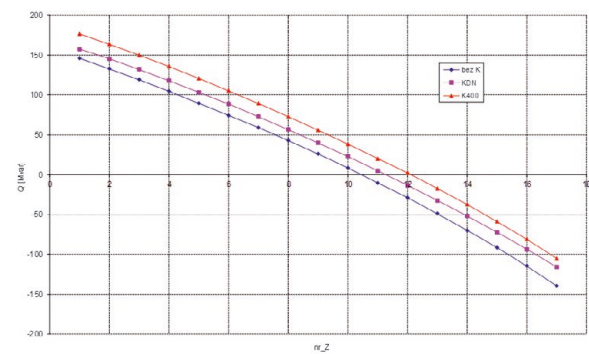
a) Q_{GN}



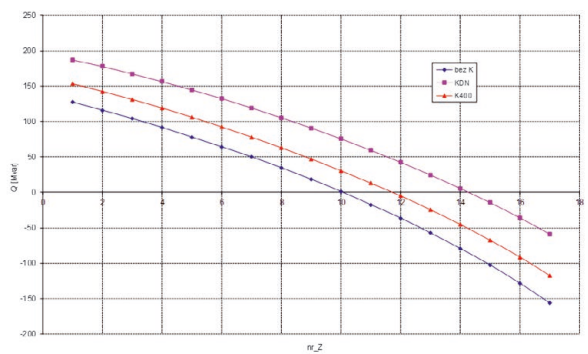
b) Q_{SN}



b) Q_{GN}



b) Q_{SN}



Rys. 6. Wpływ miejsca lokalizacji kompensatora na zmienność przepływu mocy biernej przez transformator: a) stacja 220/110 kV, b) stacja 400/110 kV [19]

This is a supporting translation of the original text published in this issue of "Acta Energetica" on pages 59–66. When referring to the article please refer to the original text.

PL

3. Kryterium trzecie – 10-proc. zmiana obciążenia systemu elektroenergetycznego nie powinna zmienić wartości napięcia w węźle. Analiza pozwala na określenie, o ile musi „skorygować” napięcie kompensator, aby utrzymać w węźle napięcie takie, jakie było przed zmianą obciążenia. Dla wytypowanego węzła do zainstalowania kompensatora dla stanu dociążenia/odciążenia systemu wyznacza się więc różnicę napięć, jaką ma „skompensować” kompensator.

Zaproponowana metoda nie uwzględnia wszystkich możliwych zmian napięcia w zakładanym węźle przyłączenia kompensatora. Może być wykorzystana do wstępnego doboru jednostki, jednakże w celu pełnego uwzględnienia całego wymaganego zakresu regulacji napięć przez kompensatory należy, na etapie ich końcowego doboru przy wykonywaniu projektu technicznego, uwzględnić szczegółowe dobowe profile zmian napięcia, w węźle przyłączenia, dla najbardziej charakterystycznych dni roku.

Należy tu podkreślić, że wytypowanie węzłów, w których mają być instalowane kompensatory, bezwzględnie musi być połączone z równoczesnym określeniem ich mocy [19].

5. Podsumowanie

Niedobory mocy biernej w systemie elektroenergetycznym prowadzą do znaczącego obniżenia w nim napięć. W takich sytuacjach cennymi elementami systemu są wszelkie źródła mocy biernej, które mogą wesprzeć generatory elektrowni w jej wytwarzaniu. Takimi urządzeniami są bez wątpienia kompensatory klasyczne (baterie kondensatorów) oraz nowocześniejsze układy z grupy urządzeń FACTS.

Nie ma wątpliwości, że stosowanie kompensatorów statycznych w systemie elektroenergetycznym przyczynia się do poprawy stabilności lokalnej i globalnej. Niemalym

problemem pozostaje jednak prawidłowe dobranie miejsca zainstalowania i parametrów danej jednostki.

Bibliografia

1. Faruque M.O. i in., Review of Electromagnetic Transient Models for Non-VSC FACTS, *IEEE Transactions on Power Delivery* 2005, Vol. 20, No. 2.
2. Hingorani N.G., Flexible ac transmission, *IEEE SPECTRUM*, April 1993.
3. Kods S.K.M., Cañizares C.A., Kazerani M., Rective current control through SVC for load power factor correction, *Electric Power System Research* 2006, No. 76.
4. Kowalak R., Kompensatory i ich wpływ na pracę systemu elektroenergetycznego, seria *Monografie* nr 181, Wydawnictwo Politechniki Gdańskiej, Gdańsk 2019.
5. Kowalak R. i in., Statyczne kompensatory bocznikowe i ich lokalizacja w sieci przesyłowej, *Energetyka, problemy energetyki i gospodarki paliwowo-energetycznej* 2012, nr XXIII, s. 6–11.
6. ABB Advanced Power Electronics, ABB Switzerland Ltd., Advanced Power Electronics, 3BHS237242 ZAB E01 [uzyskano od firmy: lipiec 2010].
7. ABB STATCOM For flexibility in power systems, ABB Power Systems AB, A02-0165E [uzyskano od firmy: lipiec 2010].
8. AMSC™ SVC Static Var Compensator, American Superconductor Corporation, 2008.
9. Modelling of SVC in Power System Studies, ABB Power Systems AB, information NR 500-026E, April 1996.
10. Power Transmission and Distribution, Discover the World of FACTS Technology, Technical Compendium, SIEMENS AG Power Transmission and

Distribution High Voltage Division, No E50001-U131-A99-X-7600.

11. STATCOM solutions for Wind Farm, ABB Switzerland Ltd., Advanced Power Electronics, 3BHT490587R0001, 2008.
12. STATCOM, ABB Switzerland Ltd., Advanced Power Electronics, 3BHT490522R0001, 2006.
13. SVC Configuration Optimisation, Nokian Capacitors Ltd., EN-TH18-03/2007, 2007.
14. SVC StaticVarCompensator, ABB Power Technologies AB, A02-0100E [uzyskano od firmy: lipiec 2010].
15. Using Dynamic Reactive Compensation to Mitigate Voltage Sags at a Micron Technology Semiconductor Manufacturing Facility, American Superconductor Corporation, MCRN_CS_0610, 2010.
16. Oskoui A. i in., Holly STATCOM – FACTS to replace critical generation, operation experience [uzyskano od firmy ABB: lipiec 2010].
17. Strzelecki R., Benysek G., Układy STATCOM i ich rola w systemie elektroenergetycznym, Międzynarodowa Konferencja Naukowo-Techniczna „Nowoczesne urządzenia zasilające w energetyce”, Koźnice, marzec 2004.
18. Zajczyk R., Modele matematyczne systemu elektroenergetycznego do badania elektromechanicznych stanów niestabilnych i procesów regulacyjnych, Wydawnictwo Politechniki Gdańskiej, Gdańsk 2003.
19. Zajczyk R. i in., Instalowanie kompensatorów w sieci przesyłowej KSE. Problematyka mocy biernej w sieciach dystrybucyjnych i przesyłowych, Wisła, 7–8 grudnia 2010.
20. Zbroński A., Metoda lokalizacji układów kompensatorów statycznych w systemie elektroenergetycznym [rozprawa doktorska], Politechnika Gdańska, Gdańsk 2016.

Ryszard Zajczyk

prof. dr hab. inż.
Politechnika Gdańska
e-mail: ryszard.zajczyk@pg.gda.pl

Specjalista w dziedzinie elektroenergetyki – systemy elektroenergetyczne. Kierownik Katedry Elektroenergetyki na Wydziale Elektrotechniki i Automatyki Politechniki Gdańskiej. Absolwent Wydziału Elektrycznego Politechniki Gdańskiej (specjalność elektroenergetyka, 1978). Na Politechnice Gdańskiej obronił doktorat (1988), habilitację (1997) i uzyskał tytuł profesora (2004). Jego działalność naukowa związana jest głównie z tematyką pracy systemów elektroenergetycznych w stanach normalnych i niestabilnych z uwzględnieniem procesów regulacyjnych i sterowania, problematyką wpływu na system elektroenergetyczny energetyki odnawialnej, w tym energetyki wiatrowej, problemami współpracy systemu elektroenergetycznego z wysokonapięciowymi urządzeniami energoelektronicznymi. Jest autorem wielu publikacji i prac naukowych z tej dziedziny, z których liczne były realizowane na potrzeby PSE Operatora oraz firm energetycznych.

Robert Kowalak

dr inż.
Politechnika Gdańska
e-mail: robert.kowalak@pg.edu.pl

Ukończył studia na Wydziale Elektrotechniki i Automatyki Politechniki Gdańskiej (2000). Stopień naukowy doktora nauk technicznych uzyskał na swoim macierzystym wydziale (2005). Obecnie pracuje w Katedrze Elektroenergetyki Wydziału Elektrotechniki i Automatyki Politechniki Gdańskiej, na stanowisku starszego wykładowcy. Jego zawodowe zainteresowania obejmują: układy energoelektroniczne dużych mocy (FACTS, HVDC), modelowanie pracy układów energoelektronicznych w systemie elektroenergetycznym, współpracę układów zasilania z elektroenergetyką trakcyjną, zagadnienia związane z lokalizacją kompensatorów mocy biernej w systemie elektroenergetycznym oraz regulacją poziomów napięć w systemie elektroenergetycznym. Jest autorem lub współautorem ponad 50 publikacji.

Artur Zbroński

dr inż.
DNV GL, Maritime Advisory Poland
e-mail: ArturZbroński@gmail.com

Absolwent Wydziału Elektrotechniki i Automatyki Politechniki Gdańskiej (kierunek elektroenergetyka, 2009). Stopień naukowy doktora uzyskał na tym samym wydziale (2016). Był asystentem na swoim macierzystym wydziale, zaangażował się głównie w badania dotyczące regulacji mocy biernej w systemach elektroenergetycznych (2009–2014). Od 2014 roku pracuje na stanowisku doradcy w firmie DNV GL, prowadzi analizy systemów elektroenergetycznych zainstalowanych na ruchomych jednostkach morskich, analizy instalacji elektrowni wiatrowych do certyfikacji oraz uczestniczy w programach rozwojowo-badawczych dotyczących rozwoju rozwiązań Digital Twin (cyfrowy bliźniak) w przemyśle morskim.