

Stability Analysis of Real-Time Simulation of a Power Transformer's Operating Conditions

Authors

Zbigniew Kłosowski
Sławomir Cieślík

Keywords

real-time simulator, simulation stability, mathematical model of transformer

Abstract

Real-time computer simulation of a power system's operating conditions requires the use of mathematical modelling algorithms that guarantee the execution of calculations in an assumed time and with an assumed precision. A power transformer is a power system's basic element, the mathematical model of which is relatively complex (magnetic couplings, non-linear magnetization characteristics). Computer simulation of a transformer's operating conditions is meant as a numerical representation of its operation. Simulation stability is another important issue in the context of the simulators' operation in real time.

This paper presents a stability analysis of real-time simulation using the numerical integration trapezoid algorithm for mathematical modelling of power transformers.

DOI: 10.12736/issn.2300-3022.2018203

Received: 12.02.2017

Accepted: 14.07.2017

Available online: 8.02.2019

1. Introduction

Over the years, an uninterrupted development can be observed of microprocessor and computer technology, consisting in increasing computing power. Owing to this, digital platforms that operate in real time could have been created. A characteristic feature of a real-time simulator is the interoperability with real devices, e.g. regulators or protections. A real-time simulator is required to cooperate with its environment and to solve mathematical model equations within a precisely defined time quantum, while the implemented mathematical model should be adequate, and the simulation should run stably within the assumed time interval. This paper analyses the issue of real-time simulation stability on the example of a relatively complex mathematical model of a power transformer, which includes magnetic couplings and non-linear magnetization characteristics. The issue of the stability of real-time simulation of power system's operating conditions is not sufficiently recognized and described in the literature, there are few articles on the simulation stability in computer games. The aim of this study is to describe a mathematical model of a 3-phase transformer, to describe a real-time simulator operation, and to present the results of a test of the real-time simulation stability in a developed simulator of transformer operating conditions.

2. Mathematical model of a power system with a 3-phase transformer

Fig. 1 presents a schematic diagram of a power system consisting of: equivalent generator (low voltage power system) in the form of a 3-phase voltage source U_Q with internal impedance Z_Q , 3-phase transformer TR and load with impedance Z_{OBC} . Mathematical model of the power system was developed using electric multi-poles as structural elements. The system's equivalent circuit as a combination of three structural elements is shown in Fig. 2.

Structural element ES1 is the equivalent generator, the equivalent circuit of which is made up of three branches (three phases), consisting of serially connected ideal elements: voltage source, resistor, and coil. The transformer is presented as structural element ES2, and the load as structural element ES3. Equivalent

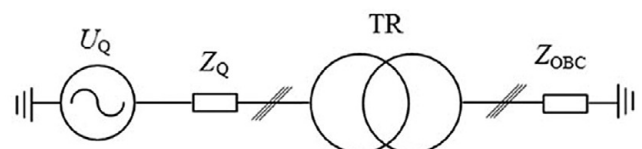


Fig. 1. Schematic diagram of the analysed power system

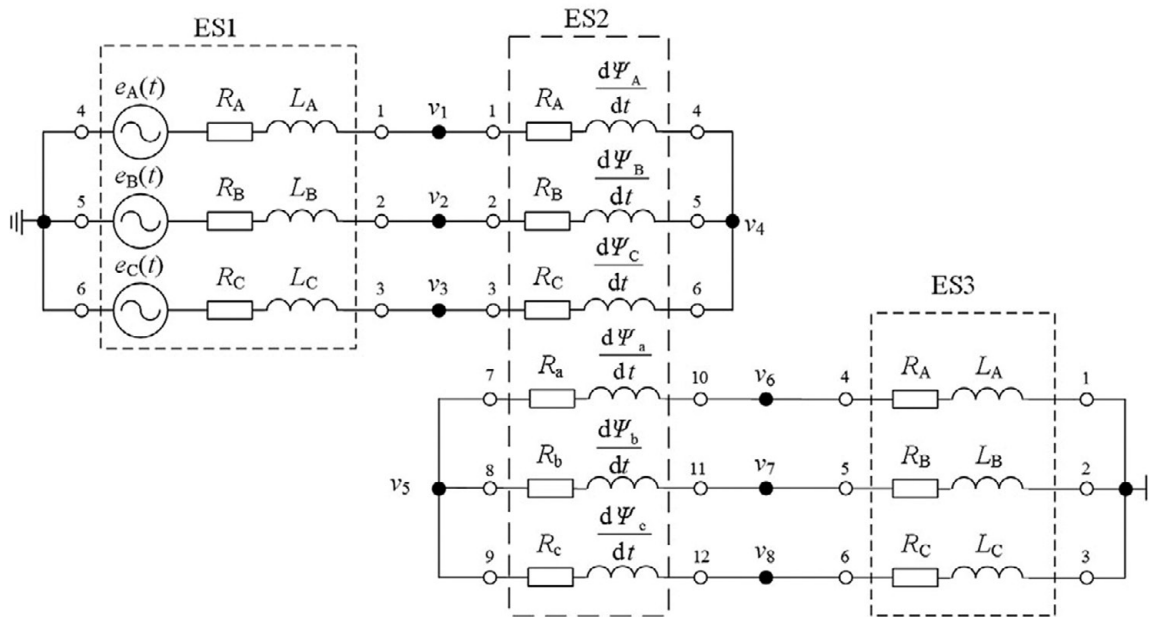


Fig. 2. Equivalent circuit of the analysed power system with division into structural elements

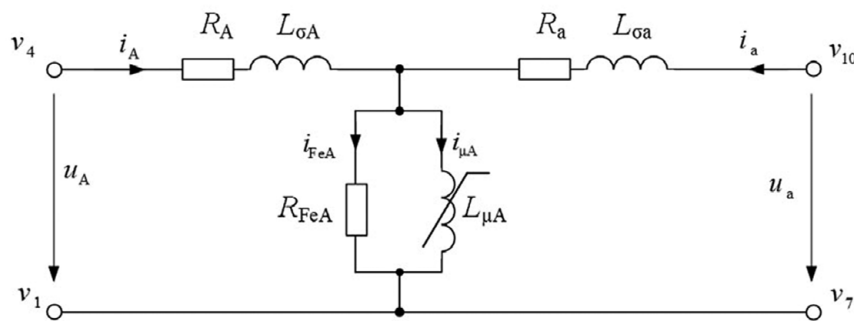


Fig. 3. Equivalent circuit of one phase of the modelled power transformer

circuit of the 3-phase load is made up of three branches (three phases) of serially connected ideal elements: resistor and coil.

The mathematical models of structural elements ES1 and ES3 were derived using the numerical integration trapezoid algorithm, which has been described in detail in [1]. Further in this paper only the mathematical model of a power transformer as a twelve-pole device is presented. The mathematical model in phase coordinates has been presented in [2]. In the power transformer mathematical model's development, the following elements were considered [2]: core losses, non-linear magnetization characteristics and losses in structural elements (Fig. 3.). Fig. 4 shows a diagram of a 3-phase transformer in the form of a twelve-pole device.

The modelled transformer's electric circuit is described by the following matrix equation:

$$\frac{d\Psi}{dt} + \mathbf{R} \cdot \mathbf{i} + \mathbf{u} = 0 \quad (1)$$

where:

$\Psi = [\Psi_\mu + \Psi_{\sigma G} \quad \frac{1}{n_1} \Psi_\mu + \Psi_{\sigma d}]^T$ – vector of fluxes magnetically coupled with the higher and lower voltage windings, including stray field fluxes, n_1 – transformer voltage ratio

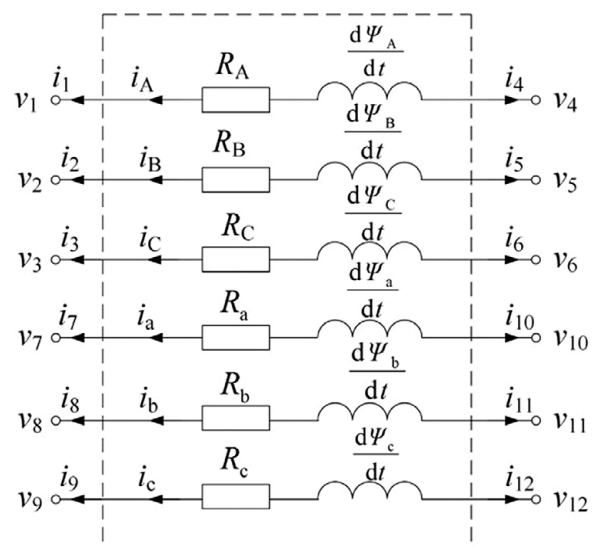


Fig. 4. Equivalent circuit of 3-phase transformer as a twelve-pole device

$\Psi_{\sigma G} = [\Psi_{\sigma A} \quad \Psi_{\sigma B} \quad \Psi_{\sigma C}]^T$ – vector of magnetic fluxes of the stray fields associated with the higher voltage windings, for the respective phases

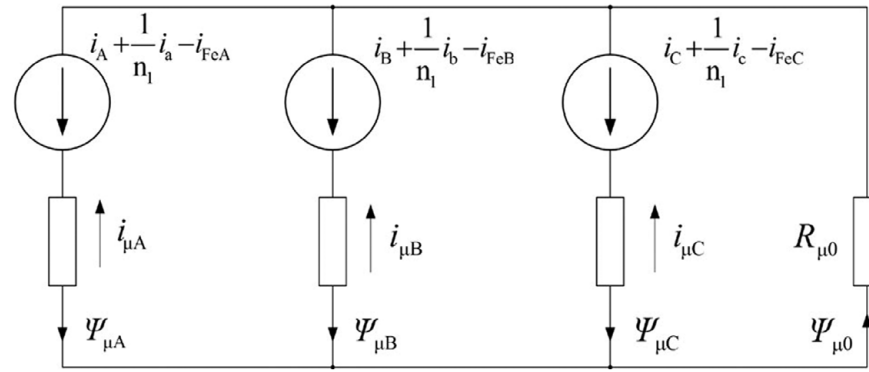


Fig. 5. Equivalent circuit of the magnetic circuit of a 3-phase transformer

$\Psi_{\sigma d} = [\Psi_{\sigma a} \ \Psi_{\sigma b} \ \Psi_{\sigma c}]^T$ – vector of magnetic fluxes of the stray fields associated with the lower voltage windings, for the respective phases

$\Psi_{\mu} = [\Psi_{\mu A} \ \Psi_{\mu B} \ \Psi_{\mu C}]^T$ – vector of main magnetic field fluxes associated with individual transformer windings

$i = [i_G \ i_d]^T$ – vector of currents in the transformer windings

$i_G = [i_A \ i_B \ i_C]^T$ – vector of currents in the transformer's higher voltage windings, in phases: A, B, and C, respectively

$i_d = [i_a \ i_b \ i_c]^T$ – vector of currents in the transformer's lower voltage windings, in phases: a, b, and c, respectively

$u = [u_G \ u_d]^T$ – vector of voltages between terminals of the transformer windings, meant as the difference between instantaneous potentials of the individual higher and lower voltage phases windings

$R = \text{diag}(R_A, R_B, R_C, R_{\alpha}, R_b, R_c)$ – matrix of higher and lower voltage winding resistances.

To complete the mathematical model of 3-phase transformer, the matrix equation (1) should be supplemented with magnetic circuit equations. Equivalent circuit of the magnetic circuit is shown in Fig. 5. The following matrix equation was developed:

$$i_{\mu} - i_G - \frac{1}{n_1} i_d + G_{Fe} \frac{d\Psi_{\mu}}{dt} + \begin{bmatrix} 1 \\ 1 \\ 1 \end{bmatrix} R_{\mu 0} \Psi_{\mu 0} = 0$$

where:

$i_{\mu} = [i_{\mu A} \ i_{\mu B} \ i_{\mu C}]^T$ – vector of magnetizing currents in respective phases

$G_{Fe} = \text{diag}\left(\frac{1}{R_{FeA}}, \frac{1}{R_{FeB}}, \frac{1}{R_{FeC}}\right)$ – conductance matrix representing power losses in the iron of the transformer magnetic circuit

$i_{Fe} = [i_{FeA} \ i_{FeB} \ i_{FeC}]^T$ – vector of currents causing iron losses, which can be determined from the following equation

$$i_{Fe} = G_{Fe} \frac{d\Psi_{\mu}}{dt},$$

$R_{\mu 0}$ – reluctance of magnetic circuit made up of tank structure, covers, beams, flat bars and screws

$\Psi_{\mu 0}$ – magnetic flux representing the magnetic field part that causes losses in structural elements. The mathematical model of a power transformer includes non-linearity of the magnetic circuit in accordance with the algorithm presented in [3].

3. Adequacy of the mathematical model

Adequacy of the analysed power system's mathematical model was evaluated on the basis of comparative analysis of results of a measurement experiment on a real object with results of the computer simulation. For the computer simulation, the transformer's parameters were adopted as determined based on its idle test and measurement short-circuit. Whereas the equivalent generator's impedance chosen experimentally. The computer simulation was carried out using the trapezoidal method with integration step $\Delta t = 10 \mu s$. To assess the adequacy of the mathematical model of a 3-phase transformer a power transformer was used with the following specifications: $S = 10 \text{ kVA}$, $U_{NGN} = 380 \text{ V}$, $U_{NDN} = 340 \text{ V}$.

Fig. 6 shows comparison of the phase current time waveforms in the higher voltage windings obtained from the experiment and the computer simulation at a transient state caused by switching the transformer to a low voltage grid, with initial supply voltage phase $\psi_u = 213^\circ$.

Fig. 7 shows comparison of the phase current time waveforms in the higher voltage windings obtained from the experiment and the computer simulation at a transient state caused by switching the transformer to a low voltage grid, with initial supply voltage phase $\psi_u = 288^\circ$.

It may be determined by comparison of the respective phase current time waveforms from the experiment and the computer simulation shown in Fig. 6 and 7, that the maximum relative difference in the successive phase current peaks in the does not exceed 30%. It may be noticed from the time waveforms, that the transient process of switching the transformer on in its idle state, a physically very complicated electromagnetic process, has been mapped with a satisfactory degree of adequacy.

4. Real-time power system simulator

The real-time simulator (PwCR) is based on a classic personal computer with a multi-core processor. Pictorial diagram of the simulator structure is shown in Fig. 8. There are up to 16 input and up to 32 output channels available in the simulator. The PwCR simulator's CPU is a 6-core 3.2 GHz Intel Core i7 processor. The system bus speed is 1333 MHz. The maximum data transfer between individual system elements can reach 4.8 GT/s.

External signals are input to the simulator via an Advantech PCI 1711 measurement card. The input time waveform is sampled at

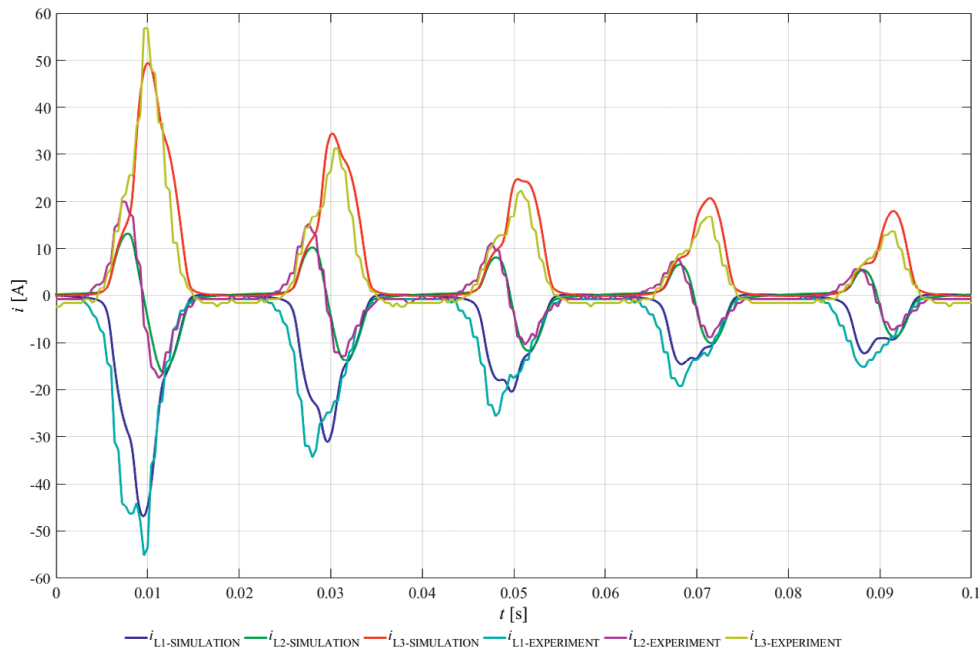


Fig. 6. Phase current time waveforms in transformer's higher transformer windings when switched on idling, initial supply voltage phase of $\psi_u = 213^\circ$

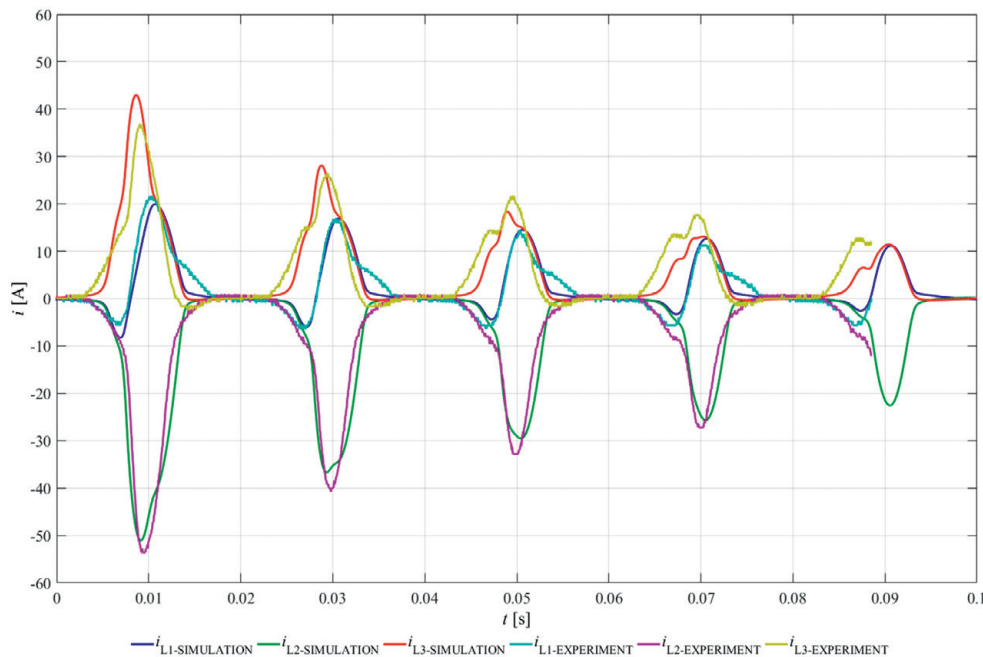


Fig. 7. Phase current time waveforms in transformer's higher transformer windings when switched on idling, initial supply voltage phase of $\psi_u = 288^\circ$

12-bit resolution via an A/C converter. The sampling rate is 100 kS/s. Signals are output from the simulator (e.g. to a real regulator's input terminal block) via Advantech PCI 1724 card. The C/A converter operates with 14-bit resolution in direct mode. This means that the sampling rate depends on the performance of the digital platform used.

The power system's mathematical model was implemented in the Borland Builder C++ environment. The PwCR simulator was used to test the stability of the power transformer operation's real-time simulation.

5. Simulation stability test results

Stability of the transformer operation's real-time simulation was tested for a discrete mathematical model with the trapezoidal algorithm, integration step $\Delta t = 50 \mu s$, and the system of linear equations was solved twice: by Jacobi's iterative method and by the Gaussian elimination method. The iterative method algorithm was developed on the basis of [4], while the Gauss elimination algorithm was based on [5]. The simulation stability was tested by comparing instantaneous voltages in L1 phase and phase currents in the higher voltage winding of the power

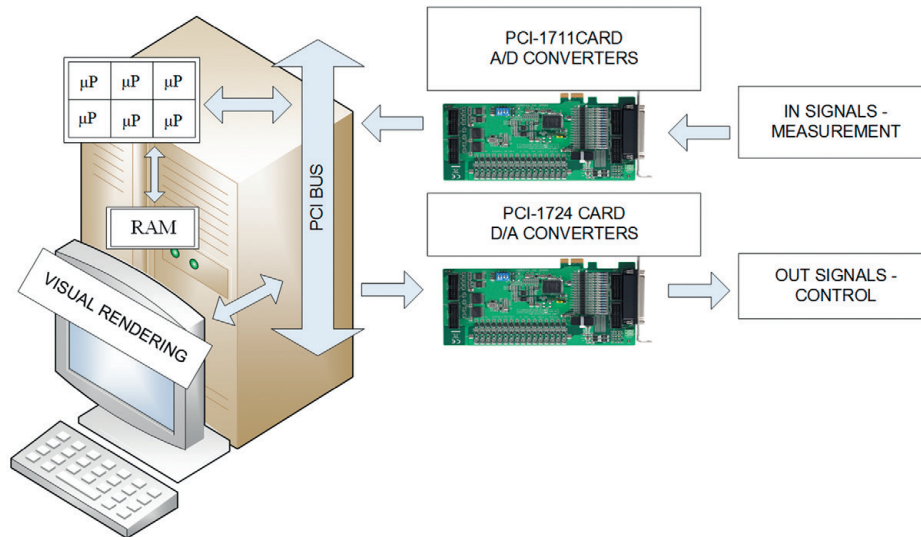


Fig. 8. Pictorial diagram of the 6-core processor personal computer based PwCR simulator

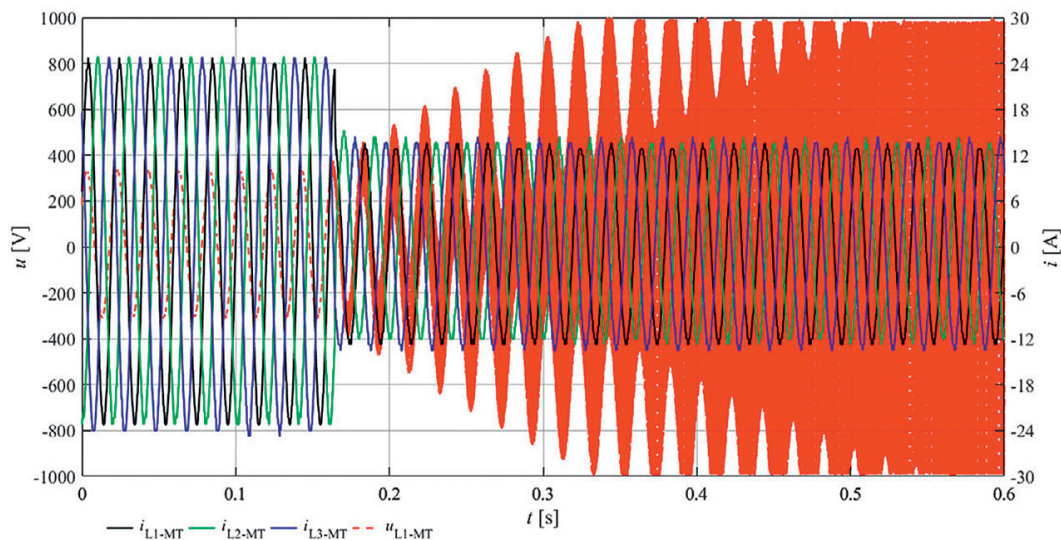


Fig. 9. L1 phase voltage and phase currents in power transformer's winding after its load's reduction at the moment of simulation stability loss for Jacobi iterative method

transformer in steady state. Values at time t_1 were compared with values at $t_1 + T \cdot k$, where T is the waveform period, and k is a coefficient of several hundred thousand. As the stability criterion, it was adopted that the difference between the respective instantaneous voltages in the same steady state cannot exceed 1% of the maximum voltage (i.e. ca 3.3V), similarly for the differences between instantaneous currents in individual phases a value not exceeding 1% of the maximum was adopted.

Fig. 9 shows voltage waveform in phase L1 and phase currents at the moment of loss of stability of the simulation for the discrete mathematical model with the trapezoidal algorithm and the iterative method of solving linear equations. Stability was tested after reducing the transformer load. It can be seen that reducing the transformer load resulted in the appearance of undamped oscillations in the voltage waveform. It may be concluded that the simulation for this mathematical model using the Jacobi's

iterative method is unstable, regardless of the number of corrective iterations. Figures 10 and 11 show voltage time waveforms in phase L1 and phase current in the winding of the power transformer's the same phase. It may be read from the waveforms that instantaneous currents and voltages at three different times from the real-time simulator operation start for the Gauss elimination method are practically the same. The waveform was recorded in the steady states at three times. The first time was $t_1 = 0$ h, i.e. the steady state after the transformer's switching to the grid and loading, the second time $t_2 = 1$ h one hour after the transformer's loading, and the third waveform was recorded at $t_3 = 2$ h after the loading. The largest difference between instantaneous L1 voltages amounted to 0.2 V, and the difference between the phase currents amounted to 0.05 A.

After two hours of the PwCR simulator operation, the load was increased and the differences in the instantaneous voltage and

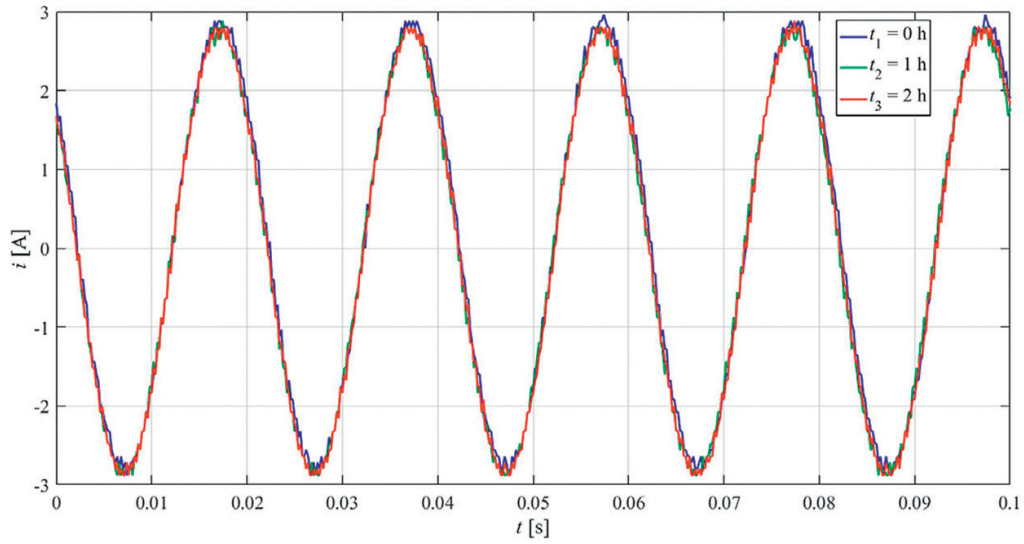


Fig. 10. Current waveform in L1 phase winding for three PwCR simulator operation times for the steady state after power transformer loading

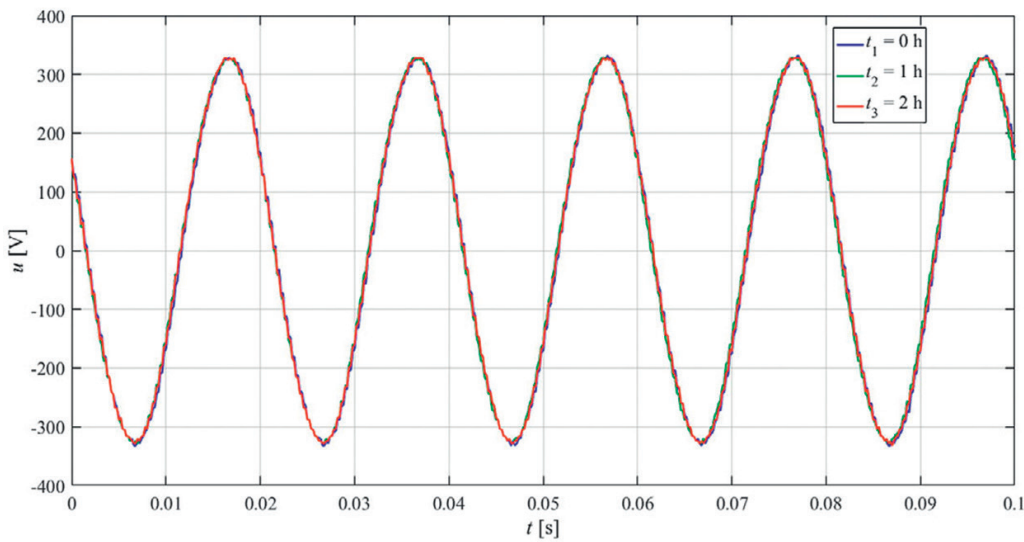


Fig. 11. L1 phase voltage waveform for three PwCR simulator operation times for the steady state after power transformer loading

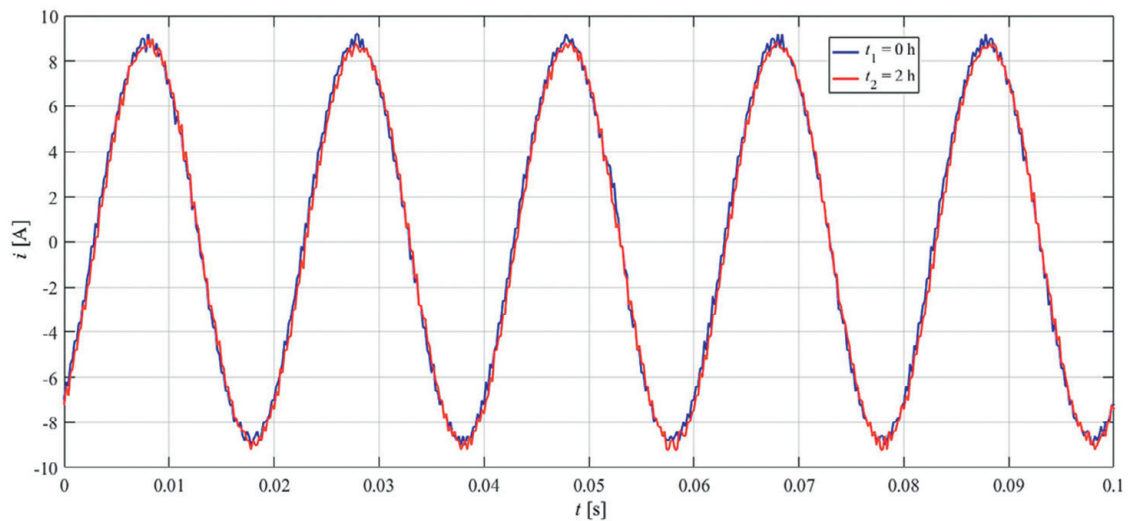


Fig. 12. Current waveform in L1 phase winding for two PwCR simulator operation times for the steady state after power transformer load increase

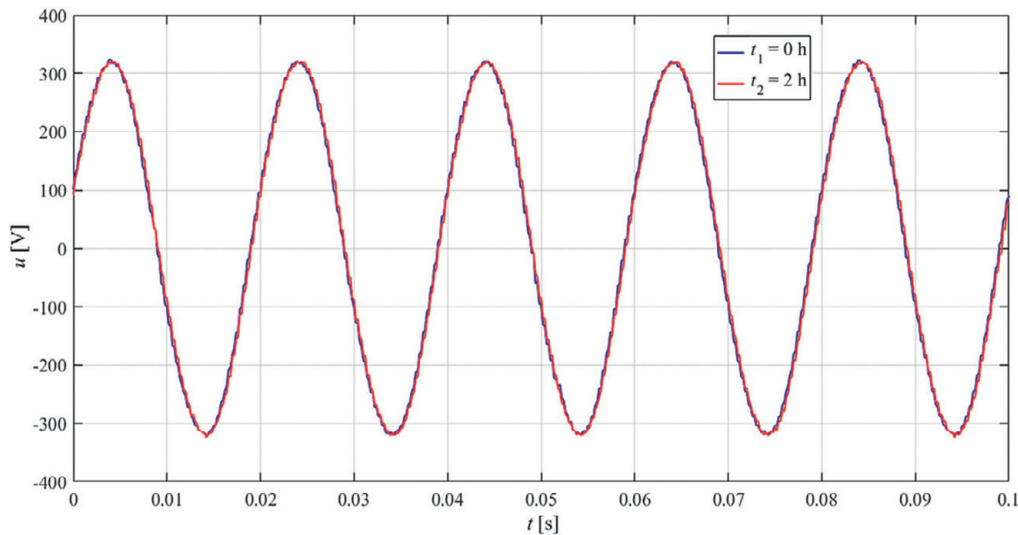


Fig. 13. L1 phase voltage waveform for two PwCR simulator operation times for the steady state after power transformer load increase

the phase currents were measured again at two observation times: $t_1 = 0$ h (steady state after increasing the load) and after two hours after increasing the load ($t_2 = 2$ h). The largest difference between instantaneous L1 voltages amounted to 0.2 V, and the difference between the phase currents amounted to 0.08 A. Figures 12 and 13 show voltage time waveforms in phase L1 and phase current in the windings of the power transformer's same phase. It may be read from the waveforms that instantaneous currents and voltages at two different times from the real-time simulator operation start are practically the same.

6. Conclusions

The paper addresses the issue of a power transformer operation's real-time simulation stability. The simulation was performed in a multi-core processor PC based PwCR simulator. Adequacy of the transformer's mathematical model was checked by comparing results of the computer simulation with results of an experiment. The adequacy was assessed as satisfactory in terms of mapping electromagnetic processes. It has been shown that the method of linear equations' solving affects the simulation stability. It has been demonstrated that for the mathematical model with the trapezoidal integration algorithm and the non-iterative methods of linear equations' solving, the real-time simulation was stable in a relatively long period of operation (several hours). In the case of iterative methods of linear equations' solving systems (Jacobi's method), the simulation was unstable, because after changing the model parameters (the transformer load) there appeared increasing undamped numerical oscillations in the analysed power system's potentials. The oscillations' reduction (elimination) was not affected by the number of the solution improving iterations.

REFERENCES

1. Cieřlik S., "Obwodowe modele układow elektrycznych w cyfrowych symulatorach pracujacych w czasie rzeczywistym" [Circuit models of electrical circuits in real-time digital simulators], Wydawnictwo Politechniki Poznańskiej, Poznań 2013.
2. Cieřlik S., "Modelowanie matematyczne i symulacja układow elektroenergetycznych z generatorami indukcyjnymi" [Mathematical modeling and simulation of power systems with induction generators], Wydawnictwo Uczelniane Uniwersytetu Technologiczno-Przyrodniczego, Bydgoszcz 2008.
3. Szczęśny R., "Komputerowa symulacja układow energoelektronicznych" [Computer simulation of power electronics systems], Wydawnictwo Politechniki Gdańskiej, Gdańsk 1999.
4. Rosłaniec S., "Wybrane metody numeryczne z przykladami zastosowań w zadaniach inżynierskich" [Selected numerical methods with examples of application in engineering tasks], Oficyna Wydawnictwa Politechniki Warszawskiej, Warsaw 2008.
5. Kincaid D., Cheney W., "Analiza numeryczna w przekładzie i pod redakcją Stefana Paszkowskiego" [Numerical analysis, translated and edited by Stefan Paszkowski], Wydawnictwo Naukowo Techniczne, Warsaw 2002.

Zbigniew Kłosowski

University of Technology and Life Sciences in Bydgoszcz

e-mail: klosowski@utp.edu.pl

Graduated in electronics from the Faculty of Telecommunications and Electrical Engineering at the University of Technology and Life Sciences in Bydgoszcz (2009). Since 2010 a research assistant at the Faculty of Telecommunications, Informatics and Electrical Engineering at the University of Technology and Life Sciences in Bydgoszcz. Author of over 200 studies on the interoperability of generating units and power grid. In his research, he addresses issues of mathematical modelling and simulation of complex electromechanical and power systems in real time, and issues of the interoperability of generating units and medium voltage power grid.

Sławomir Cieślik

University of Technology and Life Sciences in Bydgoszcz

e-mail: slavcies@utp.edu.pl

Graduated in electrical engineering from the Academy of Technology and Agriculture in Bydgoszcz (1995). He defended his doctorate at the Faculty of Electrical and Control Engineering at the Gdańsk University of Technology (2000), and the postdoctoral degree at the Faculty of Electrical Engineering at the Poznań University of Technology (2014). His research interests relate to mathematical modelling and computer simulation of complex electromechanical and electrical power systems, including digital simulation of power systems in real time, and issues of power systems operation, particularly with distributed generation. Author or co-author of over 120 articles and research papers and 3 scientific monographs. Author and consultant of nearly 500 studies associated with the connection of generating units to power system.

This is a supporting translation of the original text published in this issue of "Acta Energetica" on pages 31–38. When referring to the article please refer to the original text.

PL

Analiza stabilności symulacji stanów pracy transformatora elektroenergetycznego w czasie rzeczywistym

Autorzy

Zbigniew Kłosowski
Sławomir Cieřlik

Słowa kluczowe

symulator pracujący w czasie rzeczywistym, stabilność symulacji, model matematyczny transformatora

Streszczenie

Komputerowa symulacja stanów pracy systemów elektroenergetycznych w czasie rzeczywistym wymaga stosowania algorytmów modelowania matematycznego, które będą gwarantowały wykonanie obliczeń w założonym czasie i z określoną precyzją. Transformator elektroenergetyczny jest jednym z podstawowych elementów systemu elektroenergetycznego, którego model matematyczny jest stosunkowo złożony (m.in.: sprzężenia magnetyczne, nieliniowość charakterystyki magnesowania). Symulacja komputerowa stanów pracy transformatora jest rozumiana jako numeryczne odwzorowanie jego działania. Stabilność symulacji jest kolejnym ważnym zagadnieniem w kontekście pracy symulatorów w czasie rzeczywistym.

W artykule przedstawiono analizę stabilności symulacji realizowanej w czasie rzeczywistym z zastosowaniem algorytmu trapezów całkowania numerycznego w modelowaniu matematycznym transformatorów elektroenergetycznych.

Data wpływu do redakcji: 12.02.2017

Data akceptacji artykułu: 14.07.2017

Data publikacji online: 8.02.2019

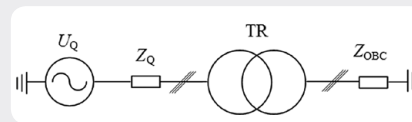
1. Wstęp

Na przestrzeni lat można zaobserwować nieprzerwany rozwój techniki mikroprocesorowej i komputerowej, polegający m.in. na zwiększeniu mocy obliczeniowej. Dzięki temu można tworzyć platformy cyfrowe, które pracują w czasie rzeczywistym. Cechą charakterystyczną symulatora pracującego w czasie rzeczywistym jest możliwość współpracy z rzeczywistymi urządzeniami, np. regulatorami lub zabezpieczeniami. Od symulatorów pracujących w czasie rzeczywistym wymaga się, aby ich współpraca z otoczeniem oraz rozwiązanie równań modelu matematycznego odbywały się w ściśle określonym kwancie czasu, a zaimplementowany model matematyczny był adekwatny oraz żeby symulacja przebiegała stabilnie w założonym przedziale czasu.

W artykule zostanie przeanalizowane zagadnienie stabilności symulacji w czasie rzeczywistym na przykładzie stosunkowo złożonego modelu matematycznego transformatora energetycznego, w którym uwzględniono m.in. sprzężenia magnetyczne i nieliniowość charakterystyki magnesowania. Zagadnienie stabilności symulacji stanów pracy układów elektroenergetycznych w czasie rzeczywistym nie jest wystarczająco rozpoznane i opisane w literaturze, można znaleźć nieliczne artykuły dotyczące stabilności symulacji w grach komputerowych. Celem pracy jest opis modelu matematycznego transformatora 3-fazowego, opis symulatora pracującego w czasie rzeczywistym oraz przedstawienie wyników badania stabilności symulacji w czasie rzeczywistym w opracowanym symulatorze stanów pracy transformatora.

2. Model matematyczny układu elektroenergetycznego z transformatorem 3-fazowym

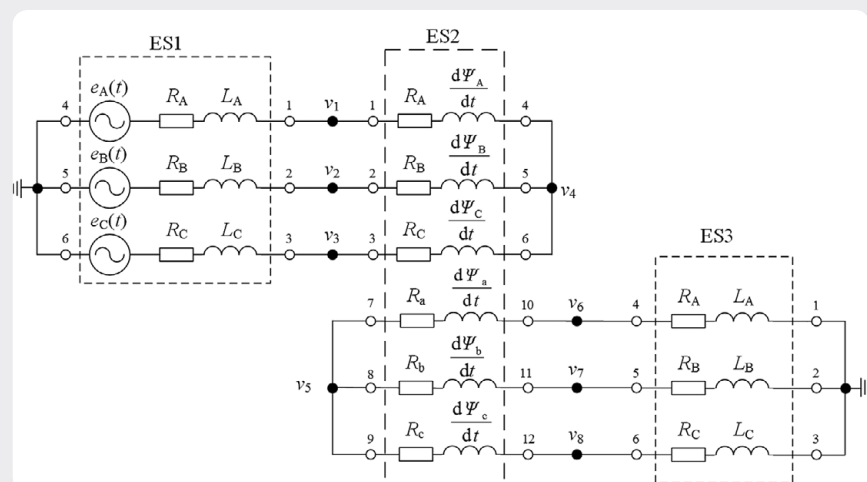
Na rys. 1 przedstawiono schemat ideowy układu elektroenergetycznego, który składa się z: generatora zastępczego (system elektroenergetyczny niskiego napięcia) w postaci 3-fazowego źródła napięcia U_Q z impedancją wewnętrzną Z_Q , transformatora 3-fazowego



Rys. 1. Schemat ideowy analizowanego układu elektroenergetycznego

TR oraz odbiornika o impedancji Z_{OBC} . Model matematyczny prezentowanego układu elektroenergetycznego opracowano z zastosowaniem wielobiegunkowych elektrycznych jako elementów strukturalnych. Schemat zastępczy układu jako połączenie trzech elementów strukturalnych pokazano na rys. 2.

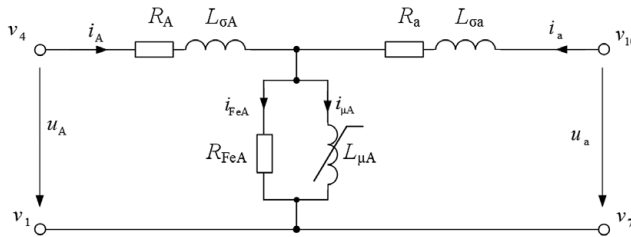
Element strukturalny ES1 to generator zastępczy, którego schemat zastępczy stanowią trzy gałęzie (trzy fazy), składające się z połączonych szeregowo elementów idealnych: źródła napięcia, rezystora i cewki. Transformator przedstawiono w postaci elementu strukturalnego ES2, natomiast odbiornik energii elektrycznej jako element strukturalny ES3. Schemat zastępczy 3-fazowego odbiornika energii elektrycznej składa się z trzech gałęzi (trzech faz), w których



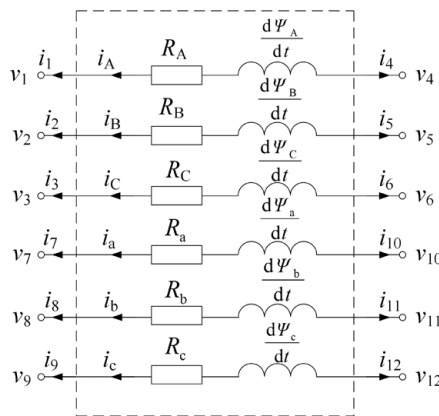
Rys. 2. Schemat zastępczy analizowanego układu elektroenergetycznego z podziałem na elementy strukturalne

This is a supporting translation of the original text published in this issue of "Acta Energetica" on pages 31–38. When referring to the article please refer to the original text.

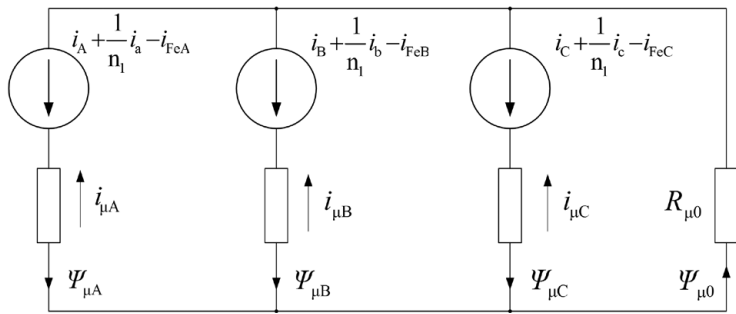
PL



Rys. 3. Schemat zastępczy jednej fazy modelowanego transformatora elektroenergetycznego



Rys. 4. Schemat zastępczy obwodu elektrycznego 3-fazowego transformatora w postaci dwunastobiegunnika



Rys. 5. Schemat zastępczy obwodu magnetycznego transformatora 3-fazowego

połączono szeregowo elementy idealne: rezystor i cewkę.

Modele matematyczne elementów strukturalnych ES1 i ES3 zostały wyprowadzone z wykorzystaniem algorytmu trapezów całkowania numerycznego, co zostało szczegółowo opisane w publikacji [1]. W dalszej części artykułu zaprezentowano tylko model matematyczny transformatora elektroenergetycznego jako dwunastobiegunnika. Model matematyczny we współrzędnych fazowych został zaprezentowany w [2]. Tworząc model matematyczny transformatora elektroenergetycznego, uwzględniono [2]: straty w rdzeniu, nieliniową charakterystykę magnesowania oraz straty w elementach konstrukcyjnych (rys. 3). Na rys. 4 przedstawiono schemat 3-fazowego transformatora w postaci dwunastobiegunnika.

Obwód elektryczny modelowanego transformatora opisano równaniem macierzowym:

$$\frac{d\boldsymbol{\Psi}}{dt} + \mathbf{R} \cdot \mathbf{i} + \mathbf{u} = 0 \quad (1)$$

gdzie:

$$\boldsymbol{\Psi} = \left[\boldsymbol{\Psi}_{\mu} + \boldsymbol{\Psi}_{\sigma G} \frac{1}{n_1} \boldsymbol{\Psi}_{\mu} + \boldsymbol{\Psi}_{\sigma d} \right]^T$$

– wektor strumieni magnetycznie sprzężonych z uzwojeniami górnego i dolnego napięcia, z uwzględnieniem strumieni dla pól rozproszenia, \$n_1\$ – przekładnia napięciowa transformatora,

$$\boldsymbol{\Psi}_{\sigma G} = [\Psi_{\sigma A} \quad \Psi_{\sigma B} \quad \Psi_{\sigma C}]^T$$

– wektor strumieni pól magnetycznych rozproszenia skojarzonych z uzwojeniami

górnego napięcia, dla odpowiednich faz,

$$\boldsymbol{\Psi}_{\sigma d} = [\Psi_{\sigma a} \quad \Psi_{\sigma b} \quad \Psi_{\sigma c}]^T$$

– wektor strumieni pól magnetycznych rozproszenia skojarzonych z uzwojeniami dolnego napięcia, dla odpowiednich faz,

$$\boldsymbol{\Psi}_{\mu} = [\Psi_{\mu A} \quad \Psi_{\mu B} \quad \Psi_{\mu C}]^T$$

– wektor strumieni głównego pola magnetycznego skojarzony z poszczególnymi uzwojeniami transformatora,

$\mathbf{i} = [i_G \quad i_d]^T$ – wektor prądów płynących w uzwojeniach transformatora,

$i_G = [i_A \quad i_B \quad i_C]^T$ – wektor prądów płynących w uzwojeniach górnego napięcia transformatora, odpowiednio dla faz: A, B i C,

$i_d = [i_a \quad i_b \quad i_c]^T$ – wektor prądów płynących w uzwojeniach dolnego napięcia transformatora, odpowiednio dla faz: a, b i c,

$\mathbf{u} = [u_G \quad u_d]^T$ – wektor napięć panujących między zaciskami uzwojeń transformatora, rozumiany jako różnica wartości chwilowych potencjałów zacisków uzwojeń poszczególnych faz górnego i dolnego napięcia,

$\mathbf{R} = \text{diag}(R_A, R_B, R_C, R_a, R_b, R_c)$ – macierz rezystancji uzwojeń górnego i dolnego napięcia.

Pełny model matematyczny 3-fazowego transformatora wymaga uzupełnienia równania macierzowego (1) równaniami opisującymi obwód magnetyczny. Schemat zastępczy obwodu magnetycznego przedstawiono na rys. 5. Zapisano równanie macierzowe:

$$\mathbf{i}_{\mu} - \mathbf{i}_G - \frac{1}{n_1} \mathbf{i}_d + \mathbf{G}_{Fe} \frac{d\boldsymbol{\Psi}_{\mu}}{dt} + \begin{bmatrix} 1 \\ 1 \\ 1 \end{bmatrix} R_{\mu 0} \boldsymbol{\Psi}_{\mu 0} = 0 \quad (2)$$

gdzie:

$\mathbf{i}_{\mu} = [i_{\mu A} \quad i_{\mu B} \quad i_{\mu C}]^T$ – wektor prądów magnesujących dla odpowiednich faz,

$$\mathbf{G}_{Fe} = \text{diag}\left(\frac{1}{R_{FeA}}, \frac{1}{R_{FeB}}, \frac{1}{R_{FeC}}\right)$$

– macierz konduktancji reprezentujących straty mocy w żelazie obwodu magnetycznego transformatora,

$i_{Fe} = [i_{FeA} \quad i_{FeB} \quad i_{FeC}]^T$ – wektor prądów powodujących straty w żelazie, który można wyznaczyć z następującej zależności

$$i_{Fe} = \mathbf{G}_{Fe} \frac{d\boldsymbol{\Psi}_{\mu}}{dt},$$

$R_{\mu 0}$ – reluktancja obwodu magnetycznego tworzonych przez elementy, m.in.: konstrukcji kadzi, pokrywy, belki, płaskownik i śruby,

$\boldsymbol{\Psi}_{\mu 0}$ – strumień magnetyczny reprezentujący część pola magnetycznego, która powoduje straty w elementach konstrukcyjnych.

W modelu matematycznym transformatora elektroenergetycznego uwzględniono nieliniowość obwodu magnetycznego zgodnie z algorytmem przedstawionym w [3].

This is a supporting translation of the original text published in this issue of "Acta Energetica" on pages 31–38. When referring to the article please refer to the original text.

PL

3. Adekwatność modelu matematycznego

Adekwatność prezentowanego modelu matematycznego analizowanego układu elektroenergetycznego oceniono na podstawie analizy porównawczej wyników z eksperymentu pomiarowego na obiekcie rzeczywistym z wynikami symulacji komputerowej. Do symulacji komputerowej przyjęto parametry transformatora wyznaczone na podstawie próby stanu jałowego i pomiarowego stanu zwarcia tego transformatora. Natomiast impedancję generatora zastępczego dobrano eksperymentalnie. Symulację komputerową zrealizowano z wykorzystaniem metody trapezów z krokiem całkowania $\Delta t = 10 \mu s$. Do oceny adekwatności modelu matematycznego 3-fazowego transformatora wykorzystano transformator o mocy $S = 10 \text{ kVA}$, $U_{NGN} = 380 \text{ V}$, $U_{NDN} = 340 \text{ V}$.

Na rys. 6 przedstawiono porównanie przebiegów czasowych prądów fazowych w uzwojeniach górnego napięcia, uzyskanych z eksperymentu i z symulacji komputerowej podczas stanu przejściowego spowodowanego załączeniem transformatora do sieci niskiego napięcia, gdzie faza początkowa napięcia zasilającego wynosiła $\psi_u = 213^\circ$.

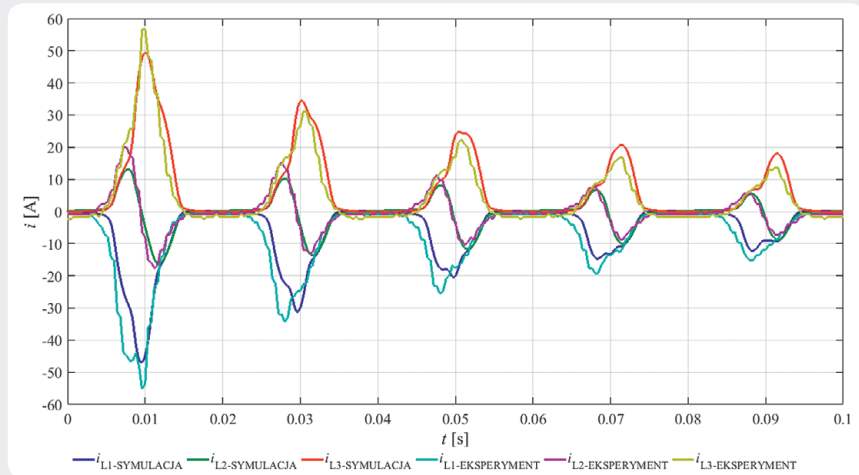
Na rys. 7 przedstawiono porównanie przebiegów czasowych prądów fazowych w uzwojeniach górnego napięcia, uzyskanych z eksperymentu i z symulacji komputerowej podczas stanu przejściowego spowodowanego załączeniem transformatora do sieci niskiego napięcia, gdzie faza początkowa napięcia zasilającego wynosiła $\psi_u = 288^\circ$.

Porównując odpowiednie przebiegi czasowe prądów fazowych z eksperymentu i symulacji komputerowej, które zostały przedstawione na rys. 6 i 7, można określić, że maksymalna względna różnica wartości kolejnych wierzchołków w przebiegach prądów fazowych nie przekracza 30%. Z zaprezentowanych przebiegów można zauważyć, że proces przejściowy załączenia transformatora w stanie jałowym, fizycznie bardzo skomplikowany proces elektromagnetyczny, został odwzorowany z zadowalającym stopniem adekwatności.

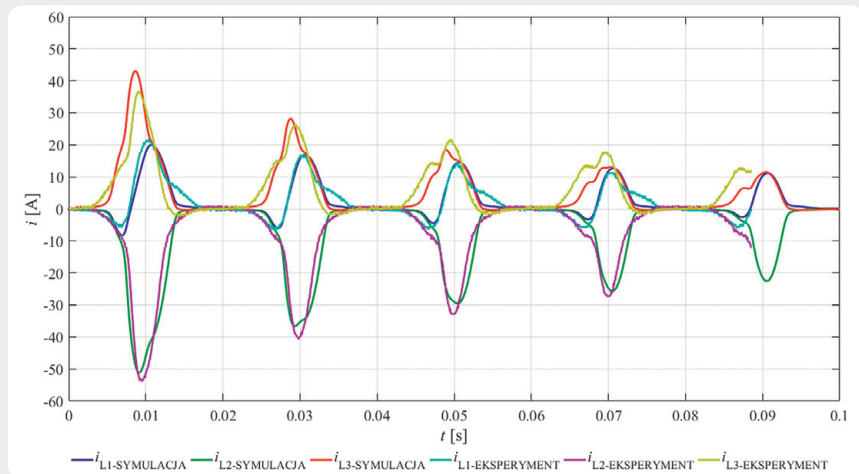
4. Symulator układu elektroenergetycznego pracujący w czasie rzeczywistym

Symulator pracujący w czasie rzeczywistym (symulator PwCR) oparty jest na klasycznym komputerze osobistym z procesorem wielordzeniowym. Schemat poglądowy struktury symulatora przedstawiono na rys. 8. W symulatorze istnieje możliwość wykorzystania do 16 kanałów wejściowych i 32 kanałów wyjściowych. W symulatorze PwCR wykorzystano procesor 6-rdzeniowy firmy Intel (typu Core i7) o częstotliwości taktowania 3,2 GHz. Prędkość magistrali systemowej wynosi 1333 MHz. Maksymalny transfer danych pomiędzy poszczególnymi elementami systemu może osiągnąć 4,8 GT/s.

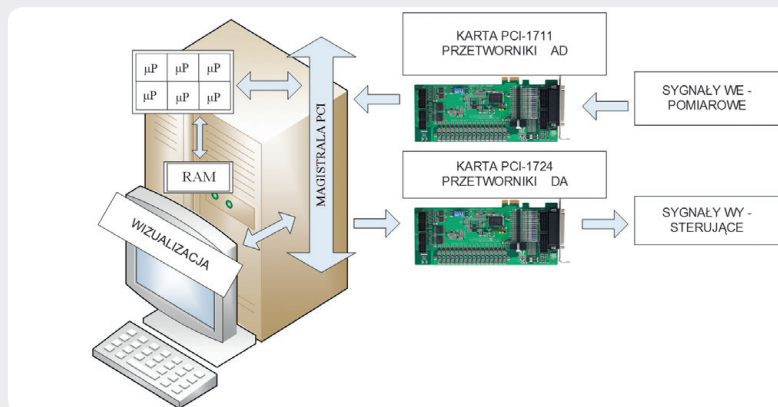
Do wprowadzenia sygnałów z otoczenia do symulatora wykorzystano kartę pomiarową PCI 1711 firmy Advantech. Przebieg wejściowy próbkowany jest z rozdzielczością 12-bitową przez przetwornik A/C. Częstotliwość próbkowania wynosi 100 kS/s.



Rys. 6. Przebiegi czasowe prądów fazowych w uzwojeniach górnego napięcia transformatora podczas jego załączenia na biegu jałowym, faza początkowa napięcia zasilającego $\psi_u = 213^\circ$



Rys. 7. Przebiegi czasowe prądów fazowych w uzwojeniach górnego napięcia transformatora podczas jego załączenia na biegu jałowym, faza początkowa napięcia zasilającego $\psi_u = 288^\circ$



Rys. 8. Schemat poglądowy symulatora PwCR opartego na komputerze osobistym z procesorem 6-rdzeniowym

Do wyprowadzenia sygnałów z symulatora do otoczenia (np. do zacisków listwy sygnałów wejściowych rzeczywistego regulatora) wykorzystano kartę PCI 1724 firmy Advantech. Przetwornik C/A pracuje

z rozdzielczością 14-bitową w trybie bezpośrednim. Oznacza to, że prędkość próbkowania zależy od wydajności zastosowanej platformy cyfrowej.

This is a supporting translation of the original text published in this issue of "Acta Energetica" on pages 31–38. When referring to the article please refer to the original text.

PL

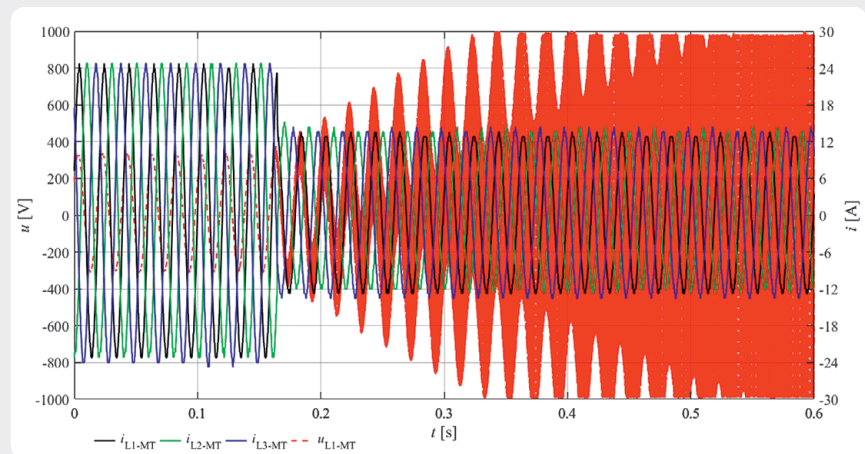
Model matematyczny układu elektroenergetycznego zaimplementowano w środowisku Borland Builder C++. Opisany symulator PwCR wykorzystano do badania stabilności symulacji stanów pracy transformatora elektroenergetycznego w czasie rzeczywistym.

5. Wyniki badań stabilności symulacji

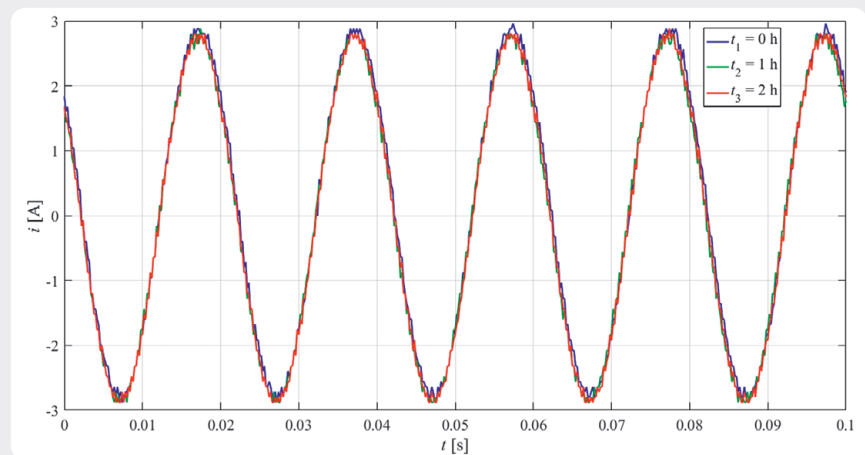
Badanie stabilności symulacji stanów pracy transformatora w czasie rzeczywistym przeprowadzono dla dyskretnego modelu matematycznego z algorytmem trapezów, z krokiem całkowania $\Delta t = 50 \mu s$, a do rozwiązywania układu równań liniowych stosowano dwie metody: metodę iteracyjną Jacobiego i metodę eliminacji Gaussa. Algorytm metody iteracyjnej został opracowany na podstawie publikacji [4], natomiast algorytm eliminacji Gaussa na podstawie publikacji [5]. Stabilność symulacji badano, porównując wartości chwilowe napięcia w fazie L1 oraz prądów fazowych w uzwojeniu górnego napięcia transformatora elektroenergetycznego, pracującego w stanie ustalonym. Porównywano wartości w chwili t_1 z wartościami w chwili $t_1 + T \cdot k$, gdzie T jest okresem przebiegu, a k jest współczynnikiem wynoszącym kilkaset tysięcy. Jako kryterium stabilności przyjęto, że różnica pomiędzy odpowiednimi wartościami chwilowymi napięcia tego samego stanu ustalonego nie może przekroczyć 1% wartości maksymalnej napięcia (to jest ok. 3,3 V), podobnie dla różnic wartości chwilowych prądu w poszczególnych fazach przyjęto wartość nieprzekraczającą 1% wartości maksymalnej.

Na rys. 9 przedstawiono przebieg napięcia w fazie L1 i prądów fazowych w momencie utraty stabilności symulacji dla dyskretnego modelu matematycznego z algorytmem trapezów i iteracyjną metodą rozwiązywania układu równań liniowych. Stabilność badano po zmniejszeniu obciążenia transformatora. Widać, że zmniejszenie obciążenia transformatora spowodowało pojawienie się oscylacji nietłumionych w przebiegu napięcia. Można stwierdzić, że symulacja dla tego modelu matematycznego z wykorzystaniem metody iteracyjnej Jacobiego jest niestabilna, niezależnie od ilości iteracji poprawiających. Na rys. 10 i 11 przedstawiono przebiegi czasowe napięcia w fazie L1 i prądu fazowego w uzwojeniu tej samej fazy transformatora elektroenergetycznego. Z przebiegów można odczytać, że wartości chwilowe prądu i napięcia dla trzech różnych czasów od początku pracy symulatora pracującego w czasie rzeczywistym dla metody eliminacji Gaussa są praktycznie takie same. Zapis przebiegu odbywał się w stanie ustalonym dla trzech czasów. Pierwszy czas przyjęto $t_1 = 0$ h, jest to stan ustalony po załączeniu transformatora do sieci i po obciążeniu transformatora, drugi czas obserwacji po godzinie od obciążenia transformatora $t_2 = 1$ h, natomiast po dwóch godzinach od obciążenia transformatora zapisano kolejny raz przebiegi, dla $t_3 = 2$ h. Największa różnica pomiędzy wartościami chwilowymi dla napięcia L1 wynosi 0,2 V, natomiast dla prądu fazowego 0,05 A.

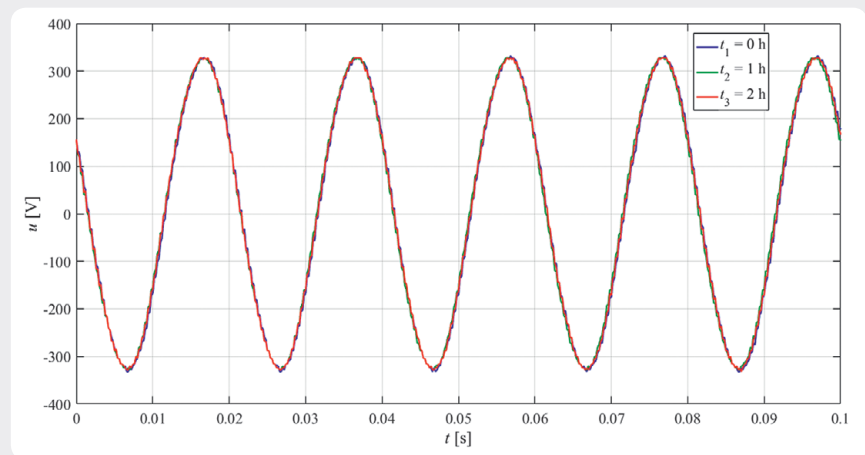
Po dwóch godzinach pracy symulatora PwCR zwiększono obciążenie i również badano różnice wartości chwilowych napięcia i prądów fazowych dla dwóch



Rys. 9. Przebieg czasowy napięcia w fazie L1 i prądów fazowych w uzwojeniu transformatora elektroenergetycznego po zmniejszeniu obciążenia transformatora elektroenergetycznego w momencie utraty stabilności symulacji dla metody iteracyjnej Jacobiego



Rys. 10. Przebieg czasowy prądu w uzwojeniu fazy L1 dla trzech czasów pracy symulatora PwCR dla stanu ustalonego po obciążeniu transformatora elektroenergetycznego



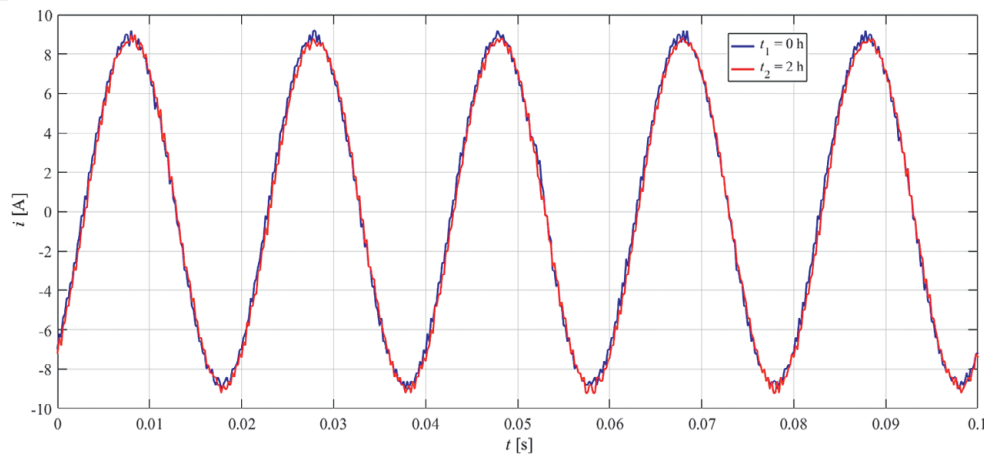
Rys. 11. Przebieg czasowy napięcia fazy L1 dla trzech czasów pracy symulatora PwCR dla stanu ustalonego po obciążeniu transformatora elektroenergetycznego

czasów obserwacji: $t_1 = 0$ h (stan ustalony po zwiększeniu obciążenia) i po dwóch godzinach po zwiększeniu obciążenia ($t_2 = 2$ h).

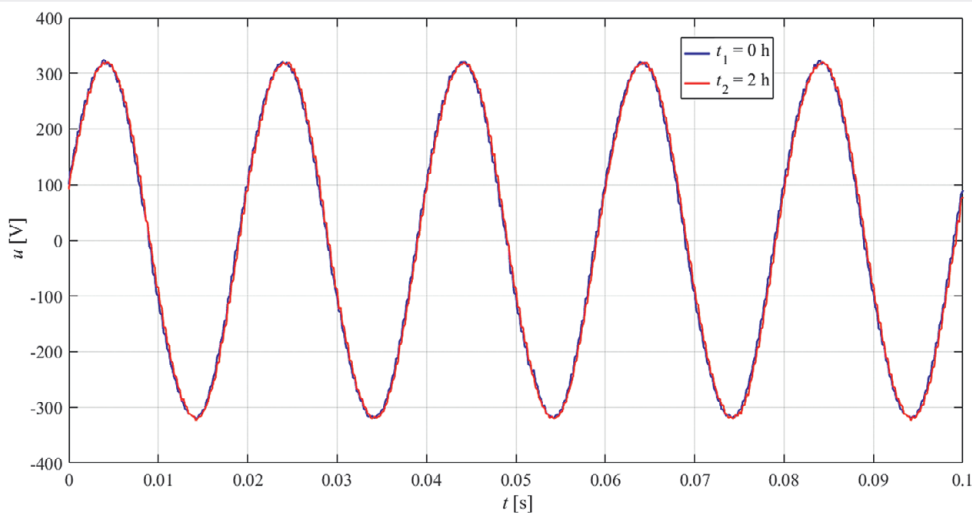
Największa różnica pomiędzy wartościami chwilowymi dla napięcia L1 wynosi 0,2 V, natomiast dla prądu fazowego 0,08 A.

This is a supporting translation of the original text published in this issue of "Acta Energetica" on pages 31–38. When referring to the article please refer to the original text.

PL



Rys. 12. Przebieg czasowy prądu w fazie L1 dla dwóch czasów pracy symulatora PwCR dla stanu ustalonego po zwiększeniu obciążenia transformatora elektroenergetycznego



Rys. 13. Przebieg czasowy napięcia fazy L1 dla dwóch czasów pracy symulatora PwCR dla stanu ustalonego po zwiększeniu obciążenia transformatora elektroenergetycznego

Na rys. 12 i 13 przedstawiono przebiegi czasowe napięcia w fazie L1 i prądu fazowego w uzwojeniach tej samej fazy transformatora elektroenergetycznego. Z przebiegów można odczytać, że wartości chwilowe prądu i napięcia dla dwóch różnych czasów od początku pracy symulatora pracującego w czasie rzeczywistym są praktycznie takie same.

6. Wnioski

W artykule poruszono kwestię stabilności symulacji stanów pracy transformatora elektroenergetycznego w czasie rzeczywistym. Symulacja była realizowana w symulatorze PwCR opartym na komputerze osobistym PC z procesorem wielordzeniowym. Sprawdzono adekwatność zastosowanego modelu matematycznego transformatora przez porównanie wyników z symulacji komputerowej z wynikami z eksperymentu. Adekwatność oceniono jako zadowalającą w zakresie odwzorowania procesów elektromagnetycznych. Pokazano, że metoda rozwiązywania układów równań liniowych ma wpływ na stabilność symulacji.

Wykazano, że dla prezentowanego modelu matematycznego z zastosowaniem algorytmu całkowania trapezów oraz nieiteracyjnych metod rozwiązywania układów równań liniowych symulacja w czasie rzeczywistym przebiegała stabilnie w stosunkowo długim okresie pracy (kilka godzin). W przypadku iteracyjnych metod rozwiązywania układów równań liniowych (metoda Jacobiego) symulacja przebiegała niestabilnie, gdyż po zmianie parametrów w modelu (zmiana obciążenia transformatora) pojawiały się rosnące nietłumione oscylacje numeryczne w potencjałach analizowanego układu elektroenergetycznego. Na zmniejszenie (wylimitowanie) oscylacji nie miała wpływu liczba iteracji poprawiających rozwiązanie.

Bibliografia

1. Cieślík S., Obwodowe modele układów elektrycznych w cyfrowych symulatorach pracujących w czasie rzeczywistym, Wydawnictwo Politechniki Poznańskiej, Poznań 2013.

2. Cieślík S., Modelowanie matematyczne i symulacja układów elektroenergetycznych z generatorami indukcyjnymi, Wydawnictwo Uczelniane Uniwersytetu Technologiczno-Przyrodniczego, Bydgoszcz 2008.
3. Szczęsny R., Komputerowa symulacja układów energoelektronicznych, Wydawnictwo Politechniki Gdańskiej, Gdańsk 1999.
4. Rosłaniec S., Wybrane metody numeryczne z przykładami zastosowań w zadaniach inżynierskich, Oficyna Wydawnictwa Politechniki Warszawskiej, Warszawa 2008.
5. Kincaid D., Cheney W., Analiza numeryczna w przykładzie i pod redakcją Stefana Paszkowskiego, Wydawnictwo Naukowo-Techniczne, Warszawa 2002.

This is a supporting translation of the original text published in this issue of "Acta Energetica" on pages 31–38. When referring to the article please refer to the original text.

PL

Zbigniew Kłosowski

mgr inż.

Uniwersytet Technologiczno-Przyrodniczy w Bydgoszczy

e-mail: klosowski@utp.edu.pl

Studia na kierunku elektrotechnika ukończył na Wydziale Telekomunikacji i Elektrotechniki Uniwersytetu Technologiczno-Przyrodniczego w Bydgoszczy (2009). Od 2010 roku pracuje na stanowisku asystenta na Wydziale Telekomunikacji, Informatyki i Elektrotechniki na Uniwersytecie Technologiczno-Przyrodniczym w Bydgoszczy. Jest autorem ponad 200 opracowań dotyczących współpracy jednostek wytwórczych z siecią elektroenergetyczną. W swoich pracach naukowych zajmuje się zagadnieniami modelowania matematycznego i symulacji złożonych układów elektromechanicznych i elektroenergetycznych w czasie rzeczywistym oraz zagadnieniami dotyczącymi współpracy jednostek wytwórczych z siecią elektroenergetyczną średniego napięcia.

Sławomir Cieślík

dr hab. inż.

Uniwersytet Technologiczno-Przyrodniczy w Bydgoszczy

e-mail: slawcies@utp.edu.pl

Studia na kierunku elektrotechnika ukończył w Akademii Techniczno-Rolniczej w Bydgoszczy (1995). Doktorat obronił na Wydziale Elektrotechniki i Automatyki Politechniki Gdańskiej (2000), a stopień naukowy doktora habilitowanego uzyskał na Wydziale Elektrycznym Politechniki Poznańskiej (2014). Jego zainteresowania naukowe dotyczą modelowania matematycznego i symulacji komputerowej złożonych układów elektromechanicznych i elektroenergetycznych, w tym symulatorów cyfrowych układów elektroenergetycznych pracujących w czasie rzeczywistym, oraz zagadnień funkcjonowania systemów elektroenergetycznych, szczególnie z generacją rozproszoną. Autor lub współautor ponad 120 artykułów i referatów naukowych oraz 3 monografii naukowych. Jest autorem i konsultantem blisko 500 opracowań związanych z przyłączaniem jednostek wytwórczych do systemu elektroenergetycznego.