

Intelligent MV Switchgear as an Element of Smart Grid Network

Authors

Janusz Ropa
 Jan Olak
 Wiesław Jałmużny
 Paweł Wlazło

Keywords

intelligent switchgear, RLSi, Smart Grids, IEC 61850, GOOSE, intelligent hybrid current-voltage transducers, HPPN, electronic module, intelligent bay controller

Abstract

In the paper the family of intelligent switchgears, developed by a consortium formed by Tele and Radio Research Institute, Transformex sp. o.o., Elektromontaż Lublin and Łódź University of Technology, has been presented as an element of a Smart Grid power network. The switchgear has been equipped with innovative, hybrid current-voltage transducers made using multilayer printed circuit board technology. In the paper the concept of the switchgear, the construction of the transducers and the electronic module integrating the transducer with protection relay input circuit have been described. The intelligent bay controller implemented in the switchgear contains several modules such as Smart Metering, Smart Control, Smart Communication (IEC 61850) and integrates easily with Smart Grid power networks. The bay controller is additionally equipped with a circuit breaker (CB) diagnostics module (Smart Diagnostics), which analyses CB parameters during its operation. It generates early warning signals about imminent failure likely to happen between periodic inspections and in this way enhances the reliability and safety of network operation. The switchgear contains also the fault recorder and criterion recorder (Smart Recorder/Logger), that facilitates diagnosing the failure events.

DOI: 10.12736/issn.2300-3022.2015409

Introduction

Presently there are no comprehensive solutions of switchgears on the energy market that are integrated with Smart Power Grids in a simple way and that make controlled MV switchgears providing protection, measurement, diagnostics and communication functionalities. In addition, such a solution should feature the following:

- high functional flexibility responding to needs of manufacturers and users of switchgears
- satisfying the needs of manufacturers, suppliers and consumers (prosumers) of electric energy
- safety and quality of transfer/supply of energy
- high level of operational safety
- reliable and failure-free data transmission.

In response to demand for integrated solutions, the scientific and industrial consortium (Elektromontaż Lublin sp. z o.o., Transformex sp. z o.o. of Warsaw, Technical University of Łódź, Tele and Radio Research Institute in Warsaw) developed a prototype of smart MV switchgear under the project INNOTECH ID 182726 implemented in 2013–2015 (Fig. 1.)

Advisability of undertaken works and aptness of adopted solutions was confirmed on 13 January 2015 by the Ministry of Economy, which adopted the document “List of Strategic Projects for Power Infrastructure under the Operational Program Infrastructure and Environment 2014–2020”, constituting the *Project pipeline* for power generation sector under the Operational Program Infrastructure and Environment 2014–2020. According to the definition in the document “*Smart Power Grid is a power grid that can integrate in cost-effective and functionally effective manner, behaviour and operations of all connected users – including producers, consumers and entities being simultaneously producers and consumers – in order to ensure efficient and economically balanced power system with low level of losses and high level of quality and safety of supply and protection*” [3], that best reflects functional requirements and engineering parameters adopted under the project.

The project implemented by the consortium can be referred to as interdisciplinary, as it covers various areas of research and development works (R&D). Project results are due to a combination of solutions to problems related to design and functionalities of



Fig. 1. View of smart switchgear RSLi

particular variants of the smart switchgear. This is demonstrated by fitting the switchgear with innovative hybrid current and voltage measuring transformers suitable for clearance purposes, the analysis of energy quality and mating with protections, and using a smart bay controller agglomerating a series of hardware and software solutions, such as switch diagnostics module, IEC 61850 communication standard and bay-to-bay interlock mechanism with optional use of GOOSE protocol.

Smart switchgear RSLi

The smart switchgear is designated for distribution of electric energy at grid frequency 50 Hz, rated voltage 17.5 kV and 24 kV, in industrial and commercial distribution grids, in typical transformer stations, and in individual solutions.

It is an indoor, two-module switchgear, with solid and air insulation, multiple compartments, in a metallic enclosure, with one busbar system. It is used in the design of: switch, disconnecter, disconnecter with cut-out and universal bays. A new electricity metering system was introduced in the switchgear – an innovative solution of hybrid current and voltage measuring transformers with electronic components. The existing electric energy metering system is based on a separate measuring cell with sizeable current and voltage measuring transformers. The new system allows elimination of duplicate measuring transformers. The aforementioned hybrid current and voltage measuring transformer are also used for protection and diagnostics purposes. In addition the switchgear is fitted with a smart bay controller, comprising energy quality module, remote diagnostics module, criterion fault recorder and communication in the standard IEC61850.

In order to ensure arc protection of the bay, the switchgear has a reinforced framework design of side walls and doors, made of profiles of bent 3 mm steel sheets. Side guards are bolted to the structure (galvanized or alu-zinc sheets). Electric arc optical sensors are installed in the switchgear, and can be connected

to the bay controller directly or via instantaneous modular arc-protection MAP 6 [12]. MAP 6 protection device is fitted with 6 optical inputs and 1 optical output, thanks to which they can be cascaded (maximum optical input to output delay is 12 μs), covering all zones of switchgear bays. It also has a power (relay-semiconductor) output for direct control of the circuit breaker.

Rated voltage	17.5 kV	24 kV
Rated frequency	50 Hz	50 Hz
Immunity to internal electric arc		16.20 kA/1s
Working temperature	-25... + 40°C	-25... + 40°C
Rated current of busbars	630 A, 1250 A	630 A, 1250 A
Momentary short circuit current	16,20 kA/1s	16,20 kA/1s
Rated current, switch bay	630 A, 1250 A	630 A, 1250 A
Rated current, disconnecter bay	630 A	630 A
Rated current, disconnecter bay with cut-out	63 A	63 A

Tab. 1. Rated data of the smart switchgear RSLi

One of the smart switchgear advantages are extensive diagnostic mechanisms, which, when combined with the communication standard IEC61850 make maintenance-free solution, suitable for operation with Smart Grids. Thanks to full (local and remote) control we have ongoing insight into the switchgear operation, its technical conditions and, indirectly, into the condition of power facilities the switchgear works with.

The switchgear diagnoses the technical condition of the circuit breaker and other switching elements, informing the customer

remotely of any events occurring in the system. This ensures high reliability and safety of operation. The innovation is the measurement of busbar temperature and air humidity in the cell. Thanks to above parameters, the user shall be notified much sooner of potential dangers, incorrect parameters of power system operation, and be able to plan possible repair works.

One of the largest challenges for the project to face was development of the new generation current and voltage measuring transformer, while completely departing from classic solutions. Due to the high level of innovative requirements imposed on the switchgear design and absence of legal regulations governing MV energy meters with new measuring circuits, the concept of adapting the new measuring transformer to existing solutions was chosen. This is why it is additionally fitted with 5 A current and $100\sqrt{3}$ V voltage measuring circuits.

Hybrid measuring transformers HPPN-20

The voltage $100\sqrt{3}$ V or power output in the order of a few or a dozen or so volt-amperes, common in classic measuring transformers, are not necessary to supply modern electronic protection relays. Also the information about the current in MV grid can be sent to protections in the form of low energy signals. At present, metrological quality of measurement signals from measuring transformers is becoming more and more important. To this end the effect of works carried out at TRANSFORMEX sp. z o.o. was the development of the world's first hybrid current and voltage measuring transformer type HPPN-20.

Measuring transformer HPPN-20 comprises current module and voltage module with one or two current busbars mounted. It features the following advantages:

- small dimensions and weight
- output parameters of windings suitable for energy clearance pursuant to current standards in power generation sector 0 class 0.2
- four measuring circuits (current and voltage) – class 0.5/0.2
- versatile design (4 variants)
- faithful transmission of current and voltage harmonics between 1 Hz and 10,000 Hz.

The current module comprises primary winding, in the form of a busbar, and two secondary windings.

The first secondary winding, for clearance purposes, is suitable for connection of a classic electric energy meter. It rests on the core of electric engineering steel, core type selected depending on measuring transformer primary rated current. The second winding is a core-less winding of current converter, designed as a Rogowski coil and manufactured using the PCB process (Printed Circuit Board). This winding is used to connect measuring instruments and/or protections, such as bay controllers, energy quality analyzers, signaling devices, etc.

The voltage module, located in the bottom section of the measuring transformer, comprises capacitance and resistance MV divider and a tuned low-voltage divider, separation amplifier and electric signal amplifier, installed in a separate section, allowing connection to electric energy meters.

There are two additional outputs led out of the separation amplifier, for connection of measuring instruments, protections and

Rated primary currents	25–1250 A
Rated secondary current	5 A
Parameters of the measurement core	5VA, cl. 0.5; FS5
I_{In}	25 A; 1.25 VA; cl. 0.5; FS5
I_{th} 1s	25 kA
I_{dyn}	62.5 kA
Current transducer - conversion factor	1 mV / 1A
Rated primary voltage	$6\sqrt{3} - 20\sqrt{3}$ kV
Rated secondary voltage	$100\sqrt{3}$ -V or 4 V
Rated output	5 VA
Rated voltage coefficient	1.9/8 h

Tab. 2. Basic parameters of the measuring transformer HPPN-20

energy quality analyzers. Electric signal amplifiers have one common power supply for three phases of switchgear voltage. The MV divider of the voltage module comprises MV capacitors, manufactured using a modern PCB process, and precision compensating resistors. Measuring transformer insulation is composed of polyurethane resin or silicone rubber.

Four versions of the HPPN-20 transducer have been developed. They all have the same dimension and parameters related to measuring four version g accuracy, and they only differ in the number of secondary windings and, slightly, in weight. HPPN-20 measuring transformers were tested by the company TRANSFORMEX (product tests) and by the Institute of Electrical Power Engineering of the Technical University of Łódź and Institute of Electrical Power Engineering in Warsaw (type tests).

Electronics module of the voltage section ME-1

The voltage section of hybrid current and voltage measuring transformer is comprised of a capacitance and resistance divider and mated electronic module. Accuracy of the divider division with regard to both amplitude and phase of primary voltage of the measuring transformer can be guaranteed under condition of low load at its output. In order to ensure working with loads typical to induction voltage measuring transformers, with power output in the order of several volt-amperes at the voltage $100\sqrt{3}$ V and required accuracy class 0.5, it is necessary to use an amplifier with suitable parameters and properties (Fig. 2). Meeting of this requirement results in output parameters of the hybrid measuring transformer voltage section consistent with requirements specified in the standard PN-EN 61869-3 [2] for induction voltage measuring transformers.

The electronics module comprises an AC/DC power supply, DC/DC converter, galvanic separator and power amplifier.

The purpose of AC/DC grid power supply is to supply DC voltage (12 V), necessary for conversion in the DC/DC system to bipolar

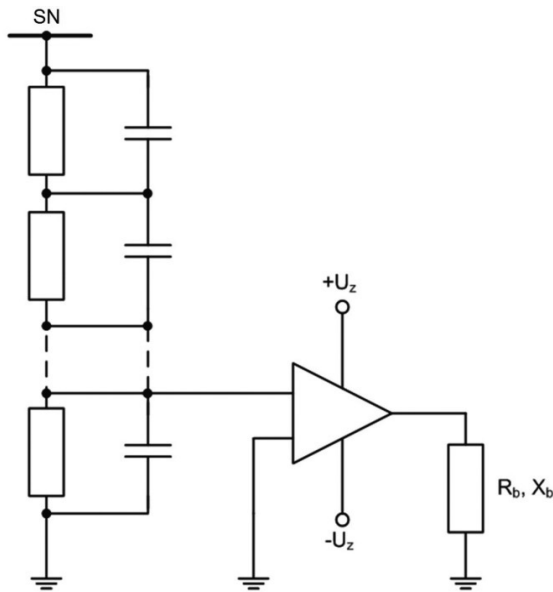


Fig. 2. System diagram: capacitance and resistance divider – amplifier – load

DC voltage related to the GND, with value sufficiently high ($\pm 190V$) to obtain alternating voltage at the power amplifier output with rated rms value $100 \cdot \sqrt{3} V$, increased by 90% in the event of permanent overvoltage caused by emergency condition of MV grid.

Primary circuits system on the MV side separating from voltage amplifier secondary circuits ensures galvanic insulation enhancing the safety of persone operating the device (Fig. 3).

The power amplifier is a compact electronic system. Its purpose is to proportionally increase the output voltage amplitude of the divider to a normalized level, while maintaining the consistence of phase at a load not exceeding 5 VA.

Determination of conversion accuracy level of the voltage section of the hybrid measuring transformer consists in measurement of voltage error (transformer voltage ratio) $\varepsilon_U[\%]$ and angle error $\Delta\varphi_U$ [min]. Within the tested frequency range (50 Hz – 5 kHz) the accuracy class 0.5 was obtained, similarly as for the current module (5 A and 1 mV/A).

Smart ISP 70 bay controller

Smart ISP 70 bay controller (Fig. 4) performs measurement, protection and diagnostic functions, as well as data server function, pursuant to the standard IEC 61850.

The CPU uses a double-core signal processor [6, 7], which exchanges data and manages modules via a serial port. Power supply and analogue signal modules are fully controlled and monitored by CPU. Other modules are fitted with controllers performing the majority of the functions related to their designated purpose. The software layer is based on embedded software [4], and therefore it does not require large memory resources and is energy effective.

Smart Integrated Sensors

The purpose of this module is low level handling of measured signals form calibrated hybrid current and voltage measuring transformers connected to analogue circuits of the control device, handling of sampling, filtration and re-sampling process (Fig.5). The results of module operation are wave sample tables used by Smart Metering and Smart Analysis modules.

Smart Metering – the module that measures analogue values that are the basis for calculation of secondary (criteria) values, such as powers, energies, symmetric components of the current, rms values of the current [9] and zero voltage, angles between current and voltage harmonics, power factor. Those values are used by protections and automation of ISP. Selected values are directed also to the memory output logs, from where they can

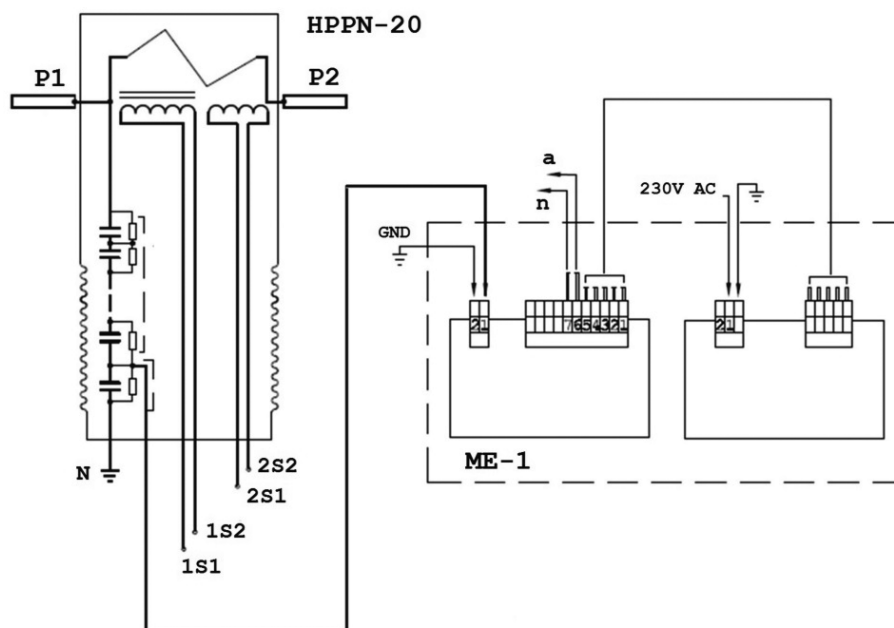


Fig. 3. Schematics of the hybrid current and voltage measuring transformer HPPN 20 and electronics module ME-1



Fig. 4. Smart ISP 70 bay controller

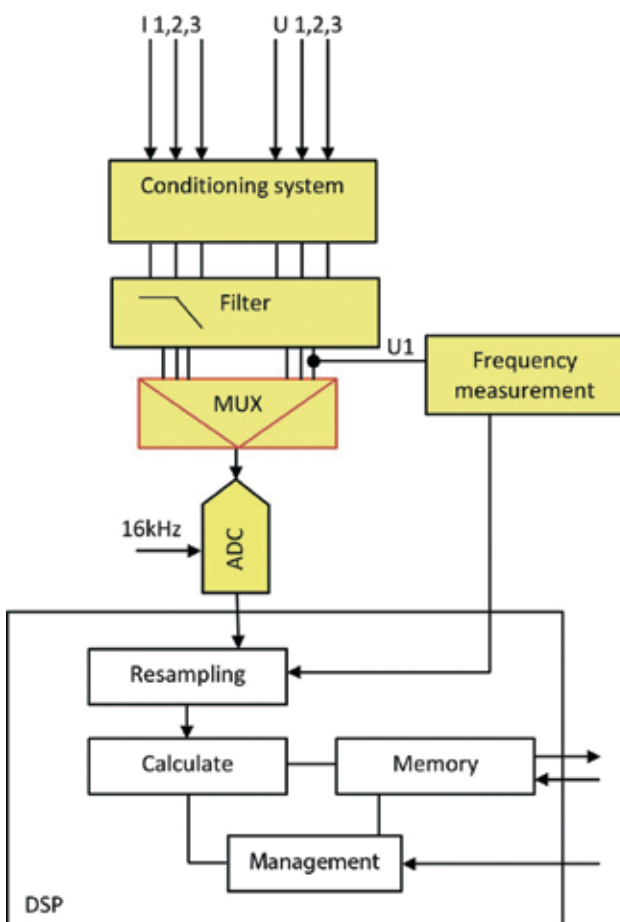


Fig. 5. Block diagram of Smart Integrated Sensors module

be sent to SCADA (Supervisory Control And Data Acquisition) system and AMI (Advanced Metering Infrastructure) system [11]. The communication is through an RS-485 port utilizing MODBUS RTU protocol and Ethernet port utilizing MODBUS TCP and IEC-61850 protocols.

In addition, the energy guard functionality was implemented in the module. Energy guard allows controlling the maximum of energy consumed or released to the grid by given switch-gear bay. This allows construction of a fully autonomous power flow control system. An example of energy guard use is the control of the maximum power consumption or reactive power generation by an industrial plant connected to a given switch-gear bay. In order to maximize the effectiveness of developed energy guard module, it was fitted with AMI communication system, thanks to which the control system can remotely change permitted limits of consumed or released energy in the preset period.

Smart Analysis – energy quality analysis module, utilizing advanced numerical methods and aggregating source data for the purposes of central energy quality monitoring system in distributed grid. Due to installation in direct proximity to energy consumers, it allows ongoing monitoring of energy quality and allows easy identification of consumers introducing excessive interferences to the grid. It can also detect cases of energy supply with incorrect energy quality parameters. This module utilizes hardware and software solutions comprising Smart Integrated Sensors.

Smart Diagnosis – diagnostic module, aggregating and analysing data from key components of electric grid, switch-gear and connectors [5]. Such data can be used to extend the grid condition knowledge base, and to formulate, based on suitable inference principles, alerts on possible damages and the need for undertaking preventive maintenance. The module is an extension of the e-diagnostics concept, incorporated in the Smart Grid philosophy. Implementation of this concept allows enhancing the reliability of energy transfer and reduction in operating costs.

Smart Control – the module executes basic functionalities of the bay controller, that is protection and automation, utilizing bay-to-bay interlocks and allows control of the switchgear from the master system level, including control over automated

switchgear elements [8]. The module comprises dozens of algorithms, which can be used as the basis for user logic edition (control of device operation).

The module is an isolated subprogram, which can be compiled into any operating system and converted into a Dynamic Link Library (DLL). The library is used for simulation of integrated control device operation algorithms [10] using the ELF software tool, which is also used for designing the user logic and programming of the device.

Smart Communication – the module executing communication functions in Ethernet standard:

- IEC 61850 server for substation protection and automation systems as well as SCADA supervisions systems
- bay-to-bay interlocks, utilizing GOOSE – instant substation messaging protocol
- managing supply, reception and analysis of energy
- synchronization of bay control devices
- making available data and control functions, pursuant to recommendations in the standard.

The developed module is suitable for operation under the control of operating systems for embedded applications, that is Microsoft Windows Embedded CE 6.0 and Embedded Linux. Results of tests with both systems were positive. In the end the Embedded Linux was adopted, more beneficial from the viewpoint of implementing the bay-to-bay interlock mechanism and GOOSE protocol used for its implementation.

Smart Recorder/Logger – the module for advanced recording of events, faults and critical values in the form of event logs, analog and digital waveforms and periodic reports summarizing switchgear operation in selected periods.

Summary

The main advantage and the concept behind the new type of switchgear was to obtain the readymade multi-function solution, considering the needs of upgrade processes implemented in power generation sector. As of present, Polish manufacturers of MV switchgears do not offer comprehensive, readymade solutions suitable for working with Smart Power Grids, constituting uniform fully controlled switchgears with protection, measurement, metering and diagnostic functions. Only partial solutions are offered, comprising separate devices (field control devices, grid analysers, measuring transformers), which offer some functionality when combined. The presented solution can be compared, to certain extent, with the ABB eVD4 switch, integrated with current and voltage sensors and communication and protection device. Implementation of arc protection, automation, diagnostics and metering functions requires establishment of a communication infrastructure in accordance with the IEC 61850 standard. This is why those two solutions cannot be compared directly.

The developed medium voltage smart switchgear is Poland's first prototype, setting out new directions for the development of

engineering solutions and representing an innovative approach to functionality, accessories and quality in the 21st century, also taking into consideration the requirement of Smart Power Grids compliance. Since no similar solutions exist, the design team could not have relied on the experience of specialists in the field. At each stage of the work, the members of the consortium had to solve new problems, thus gaining new knowledge and precious experience, which are the added value of the Project. The article presents results of tests conducted under the Project INNOTECH ID 182726, co-financed by NCBiR [national R&D centre] titled: Smart medium voltage switchgear as the Smart Grid component.

REFERENCES

1. W. Jałmużny, Analiza właściwości przekładników napięciowych wysokiego napięcia ze szczególnym uwzględnieniem oscylacji ferrozrezonansowych. Monografia habilitacyjna, *Zeszyty Naukowe* nr 1164 Politechniki Łódzkiej, Rozprawy Naukowe, z. 454, Łódź 2013.
2. PN-EN 61869-3: Przekładniki – Wymagania szczegółowe dotyczące przekładników napięciowych indukcyjnych.
3. Lista Projektów Strategicznych dla infrastruktury energetycznej, w ramach Programu Operacyjnego Infrastruktura i Środowisko 2014–2020, Ministerstwo Gospodarki; 13.01.2015.
4. G. Wojtaś, K. Makowiecki, „Elementy architektury oprogramowania systemów wbudowanych dla sterowników energetycznych”, *Automatyka Elektroenergetyczna*, No. 9, 2013.
5. K. Broda, R. Przybysz, P. Wlazło, „Metody diagnostyki zużycia wyłącznika”, *Wiadomości Elektrotechniczne* 2013, 11.
6. ADSP-BF53x/BF56x Blackfin® Processor Programming Reference, Revision 1.2, Analog Devices, Inc., Norwood, February 2007.
7. *VisualDSP++ 5.0 C/C++ Compiler and Library Manual for Blackfin Processors, DSP Run-Time Library*, Revision 5.0, Analog Devices, Inc., Norwood, August 2007.
8. R. Kowalik, M. Januszewski, A. Smolarczyk, *Cyfrowa elektroenergetyczna automatyka zabezpieczeniowa*, Oficyna Wydawnicza Politechniki Warszawskiej, Warszawa 2006.
9. Lisowiec, G. Wojtaś, Przetwarzanie sygnałów cewki Rogowskiego w procesorze o arytmetyce stałoprzecinkowej, *Elektronika*, No. 4, 2013.
10. K. Broda, M. Andrzejewski, P. Wlazło, Symulator Funkcji Logicznych w sterownikach polowych MUPASZ, *Wiadomości Elektrotechniczne* 2014, No. 9.
11. R. Przybysz, G. Kowalski, P. Wlazło, Bezrdzeniowy przetwornik prądowy jako element sieci sensorycznej AMI, *Wiadomości Elektrotechniczne*, No. 12, 2014.
12. K. Broda, Z. Kołodziejczyk, P. Wlazło, Nowa jakość w ochronie przeciwłukowej rozdzielnic – MAP 6, *Wiadomości Elektrotechniczne*, No. 9, 2014.

Janusz Ropa

Elektromontaż Lublin sp. z o.o.

e-mail: j.ropa@elektromontaz.lublin.pl

Graduate of Łódź University of Technology, Electrical Department. At present the President of Elektromontaż Lublin. In the years 1995–2012 member of the team designing and preparing production of STLmb Concrete Prefabricated Transformer Substation (12 types), in accordance with IEC 61330 Standard and recommendations of Polish Association of Electrical Energy Transmission and Distribution in Poznań. In the years 1980–2012 member of the team designing and preparing production of several types of transformer substations (CTSP-SU, PTKN, ABC) exported to Ukraine, Byelorussia, Latvia and Siberian oils fields in Russia. Member of a dozen or so teams involved in projects referring to MV cable connectors and fittings. Author and co-author of many publications and presentations on transformer substations and renewable energy sources.

Jan Olak

Transformex sp. z o.o w Warszawie

e-mail: janolak90@gmail.com

Graduate of Warsaw University of Technology, Electrical Department, Industrial Electrotechnics (1961). In the years 1975–1976 – one year postgraduate Studium concerning Electrical Apparatuses at the same University and then in the years 1989–1990 one year postgraduate studies concerning High Voltage Electrical Apparatuses. His research interests include equipment for power industry and current and voltage transformers. Author and co-author of numerous manufactured LV, MV and HV measuring transformers, honoured with many awards and distinctions such as Silver Cross of Merits – President of Poland, Warsaw 1990; medal and title “Meritorious for Inventiveness and Rationalization” – Prime Minister, Warsaw 1986, Joint Award of the Polish Atomic Agency President: “Development of the low energy prototype electron accelerator EAK400/100 for radiation technologies” – XII 1990.

Author of 20 patents in the field of power engineering (measuring transformers, auxiliary transformers etc.).

Wiesław Jałmużny

Łódź University of Technology

e-mail: wiesjalm@p.lodz.pl

Graduate of Łódź University of Technology, Electrical Department, M.Sc. Eng. (1972), Ph.D. Eng. (1980). Employed at Łódź University of Technology, in 2014 in the Department of Electrotechnics, Electronics, Information Technology, Automatics acquired title D.Sc. Eng. Research discipline: Electrotechnics, Specialization: Measuring Transformers and Electromagnetic Compatibility. His research interests include: the construction of laboratory and grid transformers, metrological issues in transformer electric circuits, interference transfer through transformers, magnetic circuits, laboratory and measurement equipment for testing of transformers.

Paweł Wlazło

Instytut Tele- i Radiotechniczny w Warszawie

e-mail: pawel.wlazlo@itr.org.pl

Graduate of Warsaw University of Technology, Electronics Department, specialty – Automation;

M.Sc. Eng. Automation Specialist (1993). At present head of ICT and Electronics Centre at the Tele & Radio Research Institute in Warsaw. His research interests include: communication and information technologies in power protection and monitoring equipment, user defined logic in bay controllers, smart power grids, measurement and diagnostic equipment. Author and co-author of several patents in the field of electronics and power engineering. Leader and member of a dozen or so research and development projects involving, among others, implementation of bay controllers. Laureate of many individual and joint prizes for innovative solutions and their implementations, e.g. Medal from the Association of French Inventors and Manufacturers AIFF for Programmable Bay Controller for Electrical Smart Grids – MUPASZ 710 plus – 2013.

This is a supporting translation of the original text published in this issue of "Acta Energetica" on pages 99–105. When referring to the article please refer to the original text.

PL

Rozdzielnica inteligentna średnich napięć jako element sieci Smart Grid

Autorzy

Janusz Ropa
Jan Olak
Wiesław Jałmużny
Paweł Wlazło

Słowa kluczowe

rozdzielnica inteligentna, RLSi, Smart Grid, IEC 61850, GOOSE, hybrydowe przekładniki prądowo-napięciowe, HPPN, moduł elektroniczny, ME, inteligentny sterownik polowy, ISP70

Streszczenie

W artykule przedstawiono inteligentną rozdzielnicę średnich napięć jako element sieci Smart Grid, opracowaną przez konsorcjum przemysłowo-naukowe – Elektromontaż Lublin sp. z o.o., Transformex sp. z o.o. w Warszawie, Politechnika Łódzka, Instytut Tele- i Radiotechniczny w Warszawie – w ramach projektu INNOTECH ID 182726. Rozdzielnica jest wyposażona w nowatorskie hybrydowe przekładniki prądowo-napięciowe, wykonane w technologii wielowarstwowych obwodów drukowanych. W artykule przedstawiono koncepcję inteligentnej rozdzielnicy, wyposażonej w hybrydowe przekładniki prądowo-napięciowe, zintegrowane z modułem elektronicznej sekcji niskonapięciowej oraz sterownik polowy ISP 70. Zastosowany w rozdzielnicy inteligentny sterownik polowy zawiera wiele modułów funkcjonalnych, takich jak: Smart Metering, Smart Control, Smart Communication (IEC 61850), dzięki czemu w sposób naturalny integruje się z sieciami Smart Grid. Dodatkowo jest wyposażony w moduł diagnostyki łączników (Smart Diagnostics), który analizuje istotne parametry łączników w trakcie eksploatacji. Generuje on sygnały wczesnego ostrzeżenia o możliwości wystąpienia awarii pomiędzy przeglądami okresowymi, tym samym podnosząc niezawodność i bezpieczeństwo eksploatacji. Rozdzielnica jest wyposażona ponadto w rejestrator zakłóceń oraz rejestrator kryterialny (Smart Recorder/Logger), ułatwiające diagnozowanie stanów awaryjnych.

Wstęp

Na rynku energetycznym brakuje kompleksowych rozwiązań rozdzielnic, które w prosty sposób integrowane są z inteligentnymi sieciami elektroenergetycznymi (Smart Power Grid) oraz tworzą w pełni sterowalne rozdzielnice SN o funkcjach: zabezpieczeniowych, pomiarowych, diagnostycznych i komunikacyjnych. Ponadto takie rozwiązanie obecnie powinno się charakteryzować:

- dużą elastycznością funkcjonalną ukierunkowaną na potrzeby producentów i użytkowników aparatury rozdzielczej
- zaspokojeniem potrzeb wytwórców, dostawców i konsumentów (przesyłanie energii elektrycznej)
- bezpieczeństwem i jakością przesyłu/dostaw energii
- wysokim poziomem bezpieczeństwa obsługi
- pewnością i niezawodnością przesyłania danych.

W odpowiedzi na zapotrzebowanie zintegrowanych rozwiązań konsorcjum przemysłowo-naukowe (Elektromontaż Lublin sp. z o.o., Transformex sp. z o.o. w Warszawie, Politechnika Łódzka, Instytut Tele- i Radiotechniczny w Warszawie) opracowało prototyp inteligentnej rozdzielnicy SN, w ramach projektu INNOTECH ID 182726, realizowanego w latach 2013–2015 (fot. 1).

Celowość podjętych prac oraz trafność przyjętych rozwiązań została potwierdzona 13 stycznia 2015 roku przez Ministerstwo Gospodarki, które przyjęło dokument „Lista projektów strategicznych dla infrastruktury energetycznej w ramach Programu Operacyjnego Infrastruktura i Środowisko 2014–2020”, stanowiący *project pipeline* dla sektora energetyki w ramach Programu Operacyjnego Infrastruktura i Środowisko 2014–2020. W dokumencie podana jest



Fot. 1. Widok inteligentnej rozdzielnicy RLSi

definicja „Inteligentna sieć elektroenergetyczna – to sieć elektroenergetyczna, która może w sposób efektywny kosztowo i funkcjonalnie integrować zachowania i działania wszystkich przyłączonych do niej użytkowników – w tym również wytwórców, odbiorców oraz użytkowników będących zarazem wytwórcami i odbiorcami – w celu zapewnienia efektywnego i zrównoważonego pod względem ekonomicznym systemu energetycznego, o niskim poziomie strat oraz wysokim poziomie jakości oraz bezpieczeństwa dostaw i ochrony” [3], która najlepiej odzwierciedla przyjęte w projekcie wymagania dotyczące funkcjonalności i parametrów technicznych.

Zrealizowany przez konsorcjum projekt można nazwać interdyscyplinarnym, ponieważ obejmuje różne obszary prac badawczo-rozwojowych (B+R). Jego efekt wynika z połączenia zagadnień związanych z konstrukcją i funkcjonalnością wariantów inteligentnej rozdzielnicy. Świadczy o tym wyposażenie rozdzielnicy w nowatorskie hybrydowe przekładniki prądowo-napięciowe przystosowane do celów rozliczeniowych, do analizy jakości energii i współpracy z zabezpieczeniami, oraz zastosowanie inteligentnego sterownika polowego, skupiającego wiele rozwiązań sprzętowo-programowych, takich jak np.: moduł diagnostyki wyłącznika, standard komunikacyjny

IEC 61850 oraz mechanizm blokad między-polowych z opcjonalnym wykorzystaniem protokołu GOOSE.

Rozdzielnica inteligentna RSLi

Rozdzielnica inteligentna przeznaczona jest do rozdzielenia energii elektrycznej o częstotliwości sieciowej 50 Hz, przy napięciu znamionowym 17,5 kV i 24 kV w sieciach rozdzielczych energetyki przemysłowej i zawodowej, w typowych stacjach transformatorowych oraz w rozwiązaniach indywidualnych.

Jest rozdzielnicą dwuczłonową, wnętrzną z izolacją stało-powietrzną, wieloprzeczołową, w osłonie metalowej z pojedynczym systemem szyn zbiorczych. W konstrukcji rozdzielniczy występują następujące pola: wyłącznikowe, rozłącznikowe, rozłącznikowe z bezpiecznikami oraz uniwersalne. W rozdzielnicy wprowadzono nowy system pomiaru energii elektrycznej, polegający na zastosowaniu nowatorskiego rozwiązania hybrydowych przekładników prądowo-napięciowych z elementami elektronicznymi. Dotychczasowy pomiar energii polegał na zastosowaniu oddzielnej celki pomiarowej z przekładnikami prądowymi i napięciowymi o znacznych wymiarach. Nowy system pozwala wyeliminować użycie celki pomiarowej oraz podwojną liczbę przekładników (przekładniki prądowe i napięciowe).

Wyżej wymienione hybrydowe przekładniki prądowo-napięciowe są również wykorzystywane do celów zabezpieczeniowych i diagnostycznych. Ponadto rozdzielnica jest wyposażona w inteligentny sterownik polowy wyposażony w moduły: analizy jakości energii, zdalnej diagnostyki, rejestratora kryterialnego oraz komunikacji w standardzie IEC 61850.

W celu zapewnienia łukoochronności pola rozdzielnicza ma wzmocnioną konstrukcję szkieletową ścian bocznych i drzwi, z kształtowników giętych z blachy stalowej o grubości 3 mm oraz osłony boczne z blachy alu-cynkowej. W rozdzielnicy są instalowane czujniki optyczne łuku elektrycznego, które można podłączyć bezpośrednio do sterownika polowego lub z wykorzystaniem bezwłocznego modułowego zabezpieczenia łukoochronnego MAP 6 [12]. Urządzenie MAP 6 wyposażone jest w sześć wejść i jedno wyjście optyczne, dzięki czemu można je łączyć kaskadowo (maksymalne opóźnienie od wejścia do wyjścia optycznego wynosi 12 μs), obejmując w ten sposób wszystkie strefy pół rozdzielczych. Posiada również wyjście mocowe (przełącznikowo-półprzewodnikowe) do bezpośredniego sterowania wyłącznikiem.

Jedną z zalet rozdzielniczy inteligentnej są rozbudowane mechanizmy diagnostyczne, które w połączeniu ze standardem komunikacyjnym IEC 61850 tworzą rozwiązanie bezobsługowe, przystosowane do współpracy z sieciami Smart Grid. Dzięki pełnej sterowalności (lokalnej i zdalnej) mamy ciągły wgląd na pracę rozdzielniczy, jej stan techniczny oraz w sposób pośredni w stan obiektów elektroenergetycznych, z którymi współpracuje.

Rozdzielnica diagnozuje stan techniczny wyłącznika i innych elementów łączeniowych, zdalnie informując klienta o zdarzeniach zaistniałych w systemie. Zapewnia to wysoką niezawodność pracy

i bezpieczeństwo. Nowością jest pomiar temperatury styków szyn, jak i wilgotności powietrza w celce. Dzięki powyższym parametrom użytkownik dużo wcześniej będzie poinformowany o wykrytych potencjalnych zagrożeniach, nieprawidłowych parametrach pracy systemu elektroenergetycznego i będzie mógł zaplanować ewentualną naprawę.

Jednym z największych wyzwań w projekcie było opracowanie nowej generacji przekładnika prądowo-napięciowego, przy całkowitym odejściu od rozwiązań klasycznych. Ze względu na wysoki poziom innowacyjnych wymagań, postawionych w projekcie przed rozdzielnicą, oraz brak gotowych rozwiązań prawnych dotyczących liczników energii SN z nowymi obwodami pomiarowymi przyjęto dostosowanie nowego przekładnika do istniejących rozwiązań. Dlatego został on dodatkowo wyposażony w obwody do pomiaru prądu 5 A i napięcia 100/√3 V.

Przekładniki hybrydowe HPPN-20

Do zasilania nowoczesnych, elektronicznych zabezpieczeń nie jest potrzebne napięcie 100/√3 V ani moc rzędu kilku czy kilkunastu woltoamperów, powszechnie spotykane w klasycznych przekładnikach napięciowych. Również informacja o prądzie w sieci SN może być przesyłana do zabezpieczeń w postaci niskoenergetycznych sygnałów. Obecnie coraz większe znaczenie ma jakość metrologiczna sygnałów pomiarowych dostarczanych z przekładników. Dlatego efektem prowadzonych prac było opracowanie w firmie Transformex sp. z o.o. nowoczesnego hybrydowego przekładnika prądowo-napięciowego typu HPPN-20. Przekładnik HPPN-20 składa się z członu prądowego i napięciowego z obsadzoną jedną lub dwiema szynami prądowymi. Charakteryzuje się następującymi zaletami:

- małe wymiary i masa
- dostosowanie parametrów wyjściowych uzwojeń do rozliczeń energii zgodnych z aktualnymi standardami w energetyce
- cztery obwody pomiarowe: prądowe i napięciowe
- uniwersalna konstrukcja (cztery wersje wykonania)
- wierne przenoszenie harmonicznym w prądzie i napięciu od 1 Hz do 10 000 Hz. Człon prądowy składa się z uzwojenia pierwotnego w postaci szyny oraz z dwóch uzwojeń wtórnych.

Pierwsze uzwojenie wtórne, do rozliczeń, jest przystosowane do podłączenia licznika energii elektrycznej w wykonaniu klasycznym. Jest ułożone na rdzeniu ze stali elektrotechnicznej o rodzaju dobranym w zależności od znamionowego prądu pierwotnego przekładnika. Uzwojenie drugie jest uzwojeniem bezrdzeniowego przetwornika prądowego, zbudowanego na zasadzie cewki Rogowskiego, wykonanego w technologii PCB (ang. *Printed Circuit Board*). Uzwojenie to służy do podłączenia aparatury pomiarowej i/lub zabezpieczeniowej w postaci sterowników polowych, analizatorów jakości energii, sygnalizatorów itp. Człon napięciowy znajdujący się w dolnej części przekładnika składa się z pojemnościowo-rezystancyjnego dzielnika średniego napięcia oraz z umieszczonych w oddzielnej obudowie: dzielnika niskonapięciowego – strojonego, wzmacniacza separacyjnego

Napięcie znamionowe	17,5 kV	24 kV
Częstotliwość znamionowa	50 Hz	50 Hz
Odporność na łuk wewnętrzny	16,20 kA/1s	16,20 kA/1s
Temperatura pracy	-25... + 40°C	-25... + 40°C
Prąd znamionowy szyn zbiorczych	630 A, 1250 A	630 A, 1250 A
Prąd zwarcioowy krótkotrwały	16,20 kA/1s	16,20 kA/1s
Prąd znamionowy pola wyłącznikowego	630 A, 1250 A	630 A, 1250 A
Prąd znamionowy pola rozłącznikowego	630 A	630 A
Prąd znamionowy pola z rozłącznikiem bezpiecznikowym	63 A	63 A

Tab. 1. Dane znamionowe inteligentnej rozdzielniczy RSLi

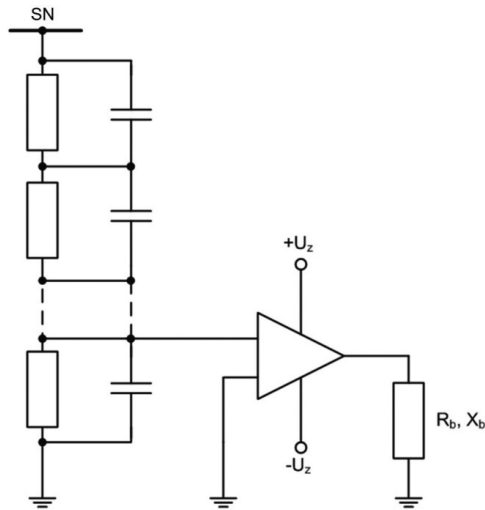
Znamionowy prąd pierwotny	25–1250 A
Znamionowy prąd wtórny	5 A
Parametry rdzenia do pomiarów	5 VA; kl. 0,5; FS5
I _{1n}	25 A; 1,25 VA; kl. 0,5; FS5
I _{th} 1s	25 kA
I _{dyn}	62,5 kA
Przetwornik prądowy – współczynnik przetwarzania	1 mV/A
Znamionowe napięcie pierwotne	6/√3 – 20/√3 kV
Znamionowe napięcie wtórne	100/√3 – V lub 4 V
Moc znamionowa	5 VA
Znamionowy współczynnik napięciowy	1,9/8 h

Tab. 2. Podstawowe parametry przekładnika HPPN-20

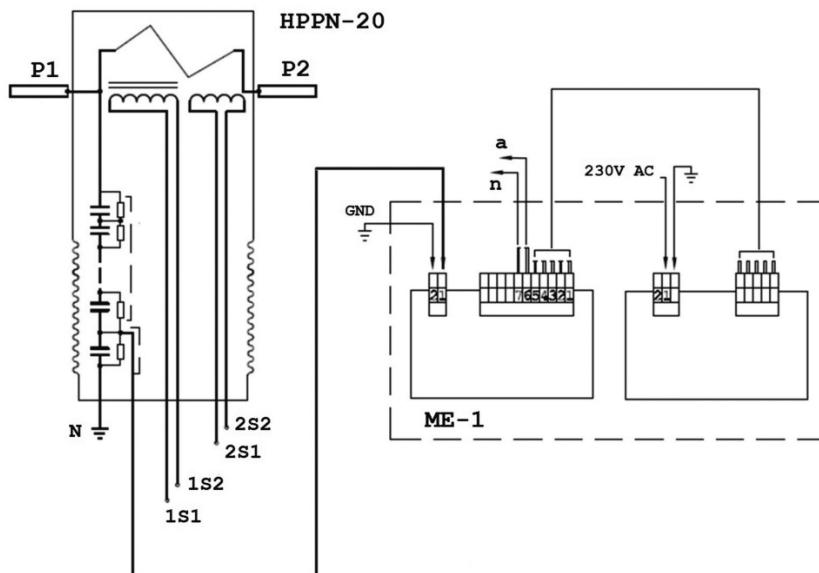
i wzmacniacza sygnału elektrycznego umożliwiającego podłączenie do liczników energii elektrycznej.

Ze wzmacniacza separacyjnego są wyprowadzone dwa dodatkowe wyjścia do podłączenia urządzeń pomiarowych, zabezpieczeniowych i analizatorów jakości energii. Wzmacniacze sygnału elektrycznego mają jeden wspólny zasilacz dla trzech faz napięcia rozdzielniczy. Dzielnik SN członu napięciowego jest zbudowany z kondensatorów SN, wykonanych w nowoczesnej technologii PCB, i precyzyjnych rezystorów sterujących. Izolację przekładnika stanowi żywica poliuretanowa lub kauczuk silikonowy.

Opracowano cztery wersje wykonania przekładników HPPN-20 w zależności od potrzeb w zakresie ich zastosowania. Wszystkie posiadają te same wymiary i parametry dotyczące dokładności pomiarów, a różnią się liczbą uzwojeń wtórnych i nieznacznie masą. Przekładniki HPPN-20



Rys. 1. Schemat układu: dzielnik pojemnościowo-rezystancyjny – wzmacniacz – obciążenie



Rys. 2. Schemat ideowy przekładnika HPPN-20 i modułu EM-1



Fot. 2. Inteligentny sterownik polowy ISP 70

zostały przebadane w firmie Transformex (próby wyrobu) oraz w Instytucie Elektroenergetyki Politechniki Łódzkiej i Instytucie Energetyki w Warszawie (próby typu).

Moduł elektroniczny sekcji napięciowej ME-1

Część napięciową hybrydowego przekładnika prądowo-napięciowego tworzą: dzielnik pojemnościowo-rezystancyjny oraz współpracujący z nim moduł elektroniczny. Dokładność podziału dzielnika, zarówno w odniesieniu do amplitudy, jak i fazy napięcia pierwotnego przekładnika, jest uwarunkowana nieznacznym obciążeniem jego wyjścia. W celu zapewnienia wymaganej klasy dokładności 0,5 i współpracy z typowymi dla przekładników napięciowych indukcyjnych obciążeniami, o mocy rzędu woltamperów przy napięciu $100/\sqrt{3}$ V, niezbędne jest zastosowanie wzmacniacza o odpowiednich parametrach i właściwościach (rys. 1). Spełnienie tego warunku powoduje, że parametry wyjściowe części napięciowej przekładnika hybrydowego są zgodne ze stawianymi w normie PN-EN 61869-3 [2] wymaganiami dla przekładników napięciowych indukcyjnych.

W skład modułu elektronicznego wchodzi: zasilacz sieciowy AC/DC, przetwornica DC/DC oraz separator galwaniczny i wzmacniacz mocy.

Zadaniem zasilacza sieciowego AC/DC jest dostarczenie napięcia stałego (12 V), niezbędnego do przetworzenia w układzie DC/DC na dwubiegunowe względem masy napięcie DC o wartości dostatecznie dużej (± 190 V), dla uzyskania na wyjściu wzmacniacza mocy napięcia przemiennego o znamionowej wartości skutecznej $100/\sqrt{3}$ V powiększonej o 90% w przypadku przepięcia ustalonego, spowodowanego stanem awaryjnym w sieci SN.

Układ separacji obwodów pierwotnych po stronie SN od obwodów wtórnych wzmacniacza napięcia zapewnia izolację galwaniczną poprawiającą bezpieczeństwo osób obsługujących urządzenie.

Wzmacniacz mocy jest elektronicznym układem w wersji scalonej. Jego zadaniem jest proporcjonalne zwiększenie amplitudy napięcia wyjściowego dzielnika do znormalizowanego poziomu, przy jednoczesnym zachowaniu zgodności fazy i obciążeniu nieprzekraczającym 5 VA.

Określenie stopnia dokładności przetwarzania części napięciowej przekładnika hybrydowego polega na pomiarze błędu napięciowego (przekładni) ϵ_U [%] oraz błędu kąтового $\Delta\phi_U$ [min]. W badanym zakresie częstotliwości (50 Hz – 5 kHz) osiągnięto klasę dokładności 0,5, podobnie jak dla członu prądowego (5 A i 1 m V/A). Na rys. 2 przedstawiono schemat ideowy HPPN-20 i EM-1.

Inteligentny sterownik polowy ISP 70

Inteligentny sterownik polowy ISP 70 (fot. 2) pełni funkcje pomiarowe, zabezpieczeniowe, diagnostyczne oraz serwera danych zgodnie ze standardem IEC 61850.

Jednostka centralna wykorzystuje dwurdzeniowy procesor sygnałowy [6, 7], który poprzez szybkie łącza szeregowo wymienia dane i zarządza modułami. Moduły zasilacza i sygnałów analogowych są w pełni kontrolowane i sterowane przez jednostkę

centralną. Pozostałe moduły są wyposażone w kontrolery, które realizują znaczną część funkcji związanych z ich przeznaczeniem. Warstwa programowa oparta jest na wbudowanym oprogramowaniu [4], dzięki czemu nie wymaga dużych zasobów pamięci i jest energooszczędna.

Smart Integrated Sensors

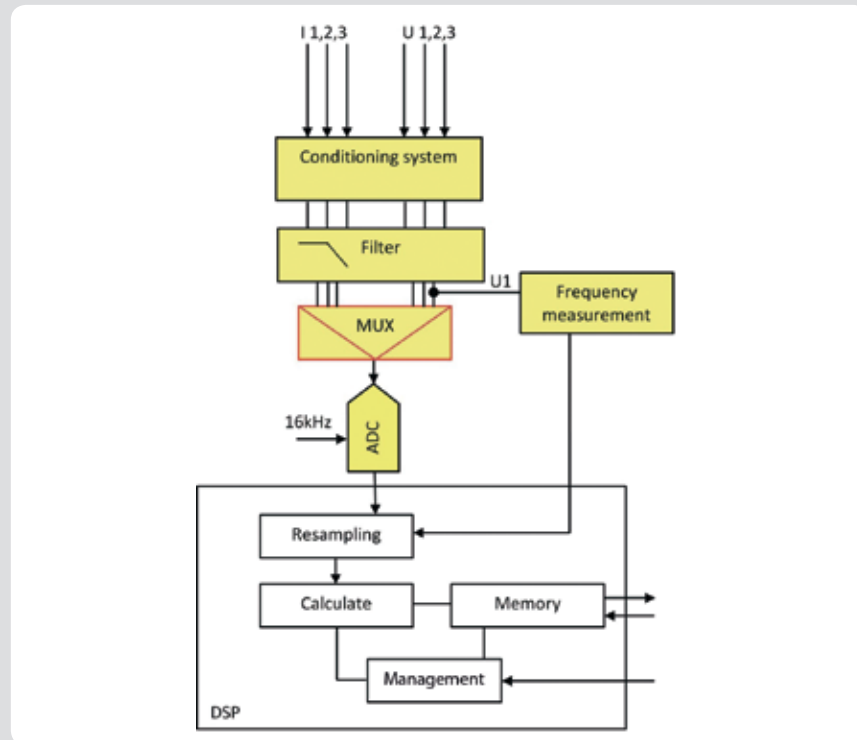
Zadaniem modułu jest niskopoziomowa obsługa sygnałów pomiarowych, pochodzących ze wzorcowanych hybrydowych przekładników pomiarowych prądowo-napięciowych dołączonych do obwodów analogowych sterownika, obsługa próbkowania, filtracja i resampling (rys. 3). Wynikiem działania modułu są tablice próbek przebiegów, które są wykorzystywane przez moduły Smart Metering i Smart Analysis.

Smart Metering – moduł pomiaru wartości analogowych, które stanowią podstawę do obliczania wartości wtórnych (kryterialnych), takich jak moce, energie, składowe symetryczne prądy, wartości skuteczne prądu [9] i napięcia zerowego, kąty pomiędzy podstawowymi harmonicznymi prądami i napięciem, współczynnik mocy. Wartości te są wykorzystywane przez zabezpieczenia i automatyki w ISP. Wyznaczone wartości trafiają również do rejestrów wyjściowych pamięci, skąd mogą zostać przesłane do systemów SCADA (ang. *Supervisory Control And Data Acquisition*) i AMI (ang. *Advanced Metering Infrastructure*) [11]. Komunikację zapewnia łącznie RS-485 z protokołem MODBUS RTU oraz łącznie Ethernet z protokołem MODBUS TCP i IEC 61850.

Dodatkowo w module zaimplementowano funkcje strażnika energii. Strażnik energii pozwala kontrolować maksymalną ilość energii pobieranej lub oddawanej do sieci przez dane pole rozdzielcze. Pozwala to na budowę w pełni autonomicznego systemu sterowania przepływem mocy. Przykładowym wykorzystaniem strażnika energii jest kontrola maksymalnego poboru lub generacji mocy biernej przez zakład przemysłowy podłączony do danego pola rozdzielczego. W celu zmaksymalizowania efektywności opracowanego modułu strażnika energii wyposażono go w komunikację w systemie AMI, dzięki czemu system zarządzania może zdalnie zmienić dozwolone limity pobranej lub oddawanej energii w zadanym okresie czasu.

Smart Analysis – moduł analizy jakości energii wykorzystujący zaawansowane metody numeryczne i dokonujący agregacji danych źródłowych na potrzeby systemu centralnego nadzoru jakości energii w sieci dystrybucyjnej. Ze względu na zainstalowanie w bezpośredniej bliskości odbiorców energii pozwala na ciągłe monitorowanie jej jakości oraz na łatwą lokalizację odbiorców wprowadzających do sieci nadmierne zakłócenia. Może również wykrywać przypadki dostaw energii o niewłaściwych parametrach. Moduł wykorzystuje rozwiązania sprzętowo-programowe wchodzące w skład Smart Integrated Sensors.

Smart Diagnosis – moduł diagnostyczny analizujący dane pochodzące z kluczowych elementów sieci elektrycznej, rozdzielnic i łączników [5]. Dane te mogą służyć do poszerzenia bazy wiedzy o stanie sieci, a także do formułowania, na podstawie odpowiednich reguł wnioskowania,



Rys. 3. Schemat blokowy modułu Smart Integrated Sensors

alarmów o możliwym wystąpieniu uszkodzeń i konieczności dokonania z wyprzedzeniem czynności konserwacyjnych. Moduł jest rozwinięciem idei e-diagnostyki, wpisującym się w filozofię Smart Grid. Jego zaimplementowanie pozwala na podniesienie niezawodności przesyłu energii i obniżenie kosztów eksploatacyjnych.

Smart Control – moduł wykonuje podstawowe funkcje sterownika polowego EAZ, czyli realizuje zabezpieczenia i automatyki z wykorzystaniem blokad międzypolowych oraz umożliwia kontrolę nad rozdzielnicą z poziomu systemu nadrzędnego, w tym nad zautomatyzowanymi elementami rozdzielnic [8]. W skład modułu wchodzi kilkadziesiąt algorytmów, na ich podstawie można tworzyć logikę użytkownika (działania sterownika).

Moduł ten stanowi wydzielony podprogram, dzięki czemu można go przekompilować na dowolny system operacyjny i utworzyć z niego bibliotekę DLL (ang. *Dynamic Link Library*). Biblioteka ta jest wykorzystywana do celu symulacji pracy wbudowanych algorytmów działania sterownika [10] za pomocą oprogramowania narzędziowego ELF, które wykorzystywane jest również do projektowania logiki użytkownika i programowania urządzenia.

Smart Communication – moduł realizujący funkcje komunikacyjne w standardzie ethernet [13]:

- serwera IEC 61850 dla układów zabezpieczeń i automatyki stacyjnej, a także dla systemów nadzorczych SCADA
- blokad międzypolowych, wykorzystując protokół przesyłania szybkich komunikatów stacyjnych GOOSE
- zarządzania dostawami, odbiorem i analizą energii
- synchronizacji współpracujących ze sobą sterowników polowych

- udostępnienia danych i funkcji kontrolnych w sposób zgodny z zaleceniami normy.

Opracowany moduł jest przystosowany do pracy pod kontrolą systemów operacyjnych do zastosowań wbudowanych, czyli Microsoft Windows Embedded CE 6.0 i Embedded Linux. Badania przeprowadzone dla obu systemów dały wynik pozytywny. Ostatecznie zastosowano Embedded Linux, korzystniejszy z punktu widzenia realizacji mechanizmu blokad międzypolowych oraz protokołu GOOSE, wykorzystywanego do jego implementacji.

Smart Recorder/Logger – jest to moduł zaawansowanych rejestratorów: zdarzeń, zakłóceń i wartości kryterialnych, które dokonują zapisu w formie rekordów zdarzeń, przebiegów analogowych i cyfrowych oraz cyklicznych raportów podsumowujących działanie rozdzielnic w wybranych okresach.

Podsumowanie

Główną zaletą i ideą powstania nowego typu rozdzielni było otrzymanie gotowego, wielofunkcyjnego rozwiązania uwzględniającego potrzeby procesów modernizacyjnych realizowanych w energetyce. Aktualnie w ofercie polskich producentów rozdzielnic SN brakuje kompleksowych, gotowych rozwiązań, które byłyby przystosowane do współpracy z inteligentnymi sieciami oraz tworzyłyby jednolite, w pełni sterowalne rozdzielnice realizujące zadania zabezpieczeniowe, pomiarowe, rozliczeniowe i diagnostyczne. Proponowane są jedynie rozwiązania cząstkowe, które składają się z oddzielnych urządzeń (sterowników polowych, analizatorów sieci, przekładników), kreujących łącznie pewną funkcjonalność. Przedstawione rozwiązanie można porównać częściowo z wyłącznikiem

eVD4 firmy ABB, który jest zintegrowany z sensorami prądowo-napięciowymi, i urządzeniem komunikacyjno-zabezpieczającym. Realizacja zabezpieczeń łukochronnych, automatyki, diagnostyki i funkcji rozliczeniowych wymaga zbudowania infrastruktury komunikacyjnej zgodnej z normą IEC 61850. Dlatego trudno obydwaj rozwiązania porównywać.

Opracowana inteligentna rozdzielnica średnich napięć jest pierwszym w Polsce prototypem wytyczającym kompleksowo nowe kierunki rozwiązań technicznych oraz innowacyjne podejście dotyczące funkcjonalności, wyposażenia i jakości na XXI wieku, uwzględniającym współpracę z inteligentnymi sieciami. Z powodu braku podobnych rozwiązań członkowie zespołu realizującego projekt nie mogli liczyć na skorzystanie z doświadczenia innych firm. Na każdym etapie projektu członkowie konsorcjum musieli pioniersko rozwiązywać problemy, przez co zdobyli nową wiedzę i cenne doświadczenie dodatkowo wzbogacające wartość projektu.

W artykule przedstawiono wyniki badań przeprowadzonych w ramach projektu INNOTECH ID 182726 pt.: „Rozdzielnica inteligentna średnich napięć jako element sieci Smart Grid”, dofinansowanego przez NCBiR.

Bibliografia

1. Jałmużny W., Analiza właściwości przekładników napięciowych wysokiego napięcia ze szczególnym uwzględnieniem oscylacji ferorezonansowych, monografia habilitacyjna, *Zeszyty Naukowe Politechniki Łódzkiej* 2013, Rozprawy Naukowe, nr 1164, z. 454.
2. PN-EN 61869-3: Przekładniki – Wymagania szczegółowe dotyczące przekładników napięciowych indukcyjnych.
3. Lista projektów strategicznych dla infrastruktury energetycznej w ramach Programu Operacyjnego Infrastruktura i Środowisko 2014–2020, Ministerstwo Gospodarki, 13.01.2015.
4. Wojtaś G., Makowiecki K., Elementy architektury oprogramowania systemów wbudowanych dla sterowników energetycznych, *Automatyka Elektroenergetyczna* 2013, nr 9.
5. Broda K., Przybysz R., Wlazło P., Metody diagnostyki zużycia wyłącznika, *Wiadomości Elektrotechniczne* 2013, nr 11.
6. ADSP-BF53x/BF56x Blackfin® Processor Programming Reference, Revision 1.2, Analog Devices, Inc., Norwood, February 2007.
7. VisualDSP++ 5.0 C/C++ Compiler and Library Manual for Blackfin Processors, DSP Run-Time Library, Revision 5.0, Analog Devices, Inc., Norwood, August 2007.
8. Kowalik R., Januszewski M., Smolarczyk A., Cyfrowa elektroenergetyczna automatyka zabezpieczeniowa, Oficyna Wydawnicza Politechniki Warszawskiej, Warszawa 2006.
9. Lisowiec A., Wojtaś G., Przetwarzanie sygnałów cewki Rogowskiego w procesorze o arytmetyce stałoprzecinkowej, *Elektronika* 2013, nr 4.
10. Broda K., Andrzejewski M., Wlazło P., Symulator funkcji logicznych w sterownikach polowych MUPASZ, *Wiadomości Elektrotechniczne* 2014, nr 9.
11. Przybysz R., Kowalski G., Wlazło P., Bezrdzeniowy przetwornik prądowy jako element sieci sensorycznej AMI, *Wiadomości Elektrotechniczne* 2014, nr 12.
12. Broda K., Kołodziejczyk Z., Wlazło P., Nowa jakość w ochronie przeciwłukowej rozdzielnic – MAP 6, *Wiadomości Elektrotechniczne* 2014, nr 9.
13. Przybysz R., Wlazło P., Wykorzystanie standardu ethernet w rozwiązaniach automatyki i zabezpieczeń sieci rozdzielczych SN, *ElektroInfo* 2014, nr 4.

Janusz Ropa

mgr inż.

Elektromontaż Lublin sp. z o.o

e-mail: j.ropa@elektromontaz.lublin.pl

Absolwent Wydziału Elektroenergetyki Politechniki Łódzkiej. Prezes Elektromontażu Lublin. W latach 1995–2012 opracowywał i wdrażał projekt rodziny stacji transformatorowych prefabrykowanych typu STLmb w obudowie żelbetowej (12 typów), zgodnie z normą IEC 61330 oraz wytycznymi Polskiego Towarzystwa Przesyłu i Rozdziału Energii Elektrycznej w Poznaniu. W latach 1980–2012 opracowywał i wdrażał do produkcji kilka projektów stacji transformatorowych (CTSP-SU, PTKN, ABC) eksportowanych na Ukrainę, Białoruś, Łotwę oraz do Rosji, na pola roponośne na Syberii. Ponadto współrealizował kilkanaście projektów dotyczących złącz i przepustów kablowych SN. Autor i współautor kilkunastu publikacji i wystąpień o tematyce dotyczącej stacji transformatorowych i rozproszonych źródeł energii.

Jan Olak

mgr inż.

Transformex sp. z o.o. w Warszawie

e-mail: janolak90@gmail.com

Absolwent Wydziału Elektrycznego Politechniki Warszawskiej, kierunek elektrotechnika przemysłowa (1961). Na swoim macierzystym wydziale ukończył studia podyplomowe z zakresu aparatów elektroenergetycznych, a następnie z zakresu aparatów elektroenergetycznych wysokiego napięcia. Jego zainteresowania zawodowe obejmują: aparaturę elektroenergetyczną i przekładniki prądowo-napięciowe dla nn, SN WN. Autor i współautor kilkudziesięciu konstrukcji przekładników wdrożonych do produkcji, za które otrzymał liczne nagrody i odznaczenia. Współautor 20 patentów dotyczących urządzeń dla energetyki (przekładniki, transformatory potrzeb własnych i in.).

Wiesław Jałmużny

dr hab. inż.

Politechnika Łódzka

e-mail: wiesjalm@p.lodz.pl

Absolwent Wydziału Elektrycznego Politechniki Łódzkiej (1972). Zatrudniony na swojej macierzystej uczelni, gdzie w 2014 roku uzyskał stopień naukowy doktora habilitowanego na Wydziale Elektrotechniki, Elektroniki, Informatyki i Automatyki. Jego zainteresowania badawcze obejmują: konstrukcje przekładników sieciowych i laboratoryjnych, zagadnienia metrologiczne w układach elektroenergetycznych z przekładnikami, transfer zakłóceń przez przekładniki, obwody magnetyczne, aparaturę pomiarową i laboratoryjną do sprawdzania przekładników. Autor i współautor kilkudziesięciu prac badawczych, monografii i publikacji w renomowanych czasopiśmie.

Paweł Wlazło

mgr inż.

Instytut Tele- i Radiotechniczny w Warszawie

e-mail: pawel.wlazlo@itr.org.pl

Absolwent Wydziału Elektroniki Politechniki Warszawskiej (1993). Kierownik Centrum Teleinformatyki i Elektroniki w Instytucie Tele- i Radiotechnicznym w Warszawie. Jego zainteresowania badawcze i zawodowe obejmują: teleinformatykę w EAZ, logikę użytkownika w sterownikach polowych, rozwiązania dla Smart Power Grid oraz aparaturę pomiarową i diagnostyczną. Autor i współautor kilku patentów z dziedziny elektroniki i elektroenergetyki EAZ. Kierownik i współrealizator kilkunastu projektów B+R, połączonych z wdrażaniem m.in. sterowników polowych. Laureat kilkudziesięciu nagród indywidualnych i zespołowych za innowacyjne rozwiązania i ich wdrażanie. Autor i współautor ok. 60 publikacji.