

Investment Casting vs Replicast CS Considered in Terms of the Ceramic Mould Making and Dimensional Accuracy of Castings

A. Karwiński^{a,*}, R. Haratym^b, R. Biernacki^c, A. Soroczyński^c

^a Foundry Research Institute, Zakopiańska 73, 30-418 Kraków, Poland

^b University of Ecology and Management, Wawelska 14, 02-061 Warszawa, Poland

^c Department of Plastic Forming and Foundry Engineering, Warsaw University of Technology, Narbutta 85, 02-524 Warszawa, Poland

*Corresponding author. E-mail address: akarw@iod.krakow.pl

Received 28.06.2013; accepted in revised form 02.09.2013

Abstract

The article presents an analysis of the applicability of the Replicast CS process as an alternative to the investment casting process, considered in terms of the dimensional accuracy of castings. Ceramic shell moulds were based on the Ekosil binder and a wide range of ceramic materials, such as crystalline quartz, fused silica, aluminosilicates and zirconium silicate. The linear dimensions were measured with a Zeiss UMC 550 machine that allowed reducing to minimum the measurement uncertainty.

Keywords: Investment casting, Lost foam patterns, Casting quality, Replicast CS

1. Introduction

Introducing to the foundry industry a new technology for making small-size castings, where patterns are made from foamed polystyrene, a simultaneous analysis of the casting dimensional accuracy has been made [1, 2, 3, 4, 5].

R. E. Grote [6] was studying in detail the Replicast CS process at every stage of the ceramic shell mould manufacture, paying attention to the quality of patterns produced.

The conclusions drawn from relevant publications are unambiguously favourable as regards the evaluation of the new technology, although an undeniable drawback of the process is certainly the need for making large batches of products due to the

high cost of the Replicast CS pattern tooling. All data on the dimensional accuracy are mainly concerned with the scatter of values of the casting dimensions in a single batch of products. In general it can be said that in this case the dimensional deviation

$\Delta L = L_{\max} - L_{\min}$ is described with the following equation:

$$\Delta L_{6\sigma} = \sqrt{\delta_M^2 + \sigma_F^2 + \sigma_O^2} \quad (1)$$

where: δ_M - error of pattern making,

δ_F - error of ceramic shell mould making,

δ_o - error of casting solidification (mainly molten metal shrinkage in moulds and casting cooling). All these data refer to castings made under the conditions which are often incomparable with each other.

2. The dimensional accuracy of ALSi9 alloy castings evaluated for the investment process and Replicast CS

2.1. Types of ceramic moulds used in the study

In studies, the Ekosil binder or Ekosil alternatively with ethyl silicate (KE) were used. The liquid ceramic slurry (CMC) was a combination of the binder and a suitable ceramic flour.

The following types of ceramic moulds were made:

- Type A – CMC Ekosil alternatively with KE with the addition of SiO₂ flour, aluminosilicate (Molochite) as a stuccoing material – 8 coatings,
- Type D – CMC in coatings from 2 to 8 with the addition of fused silica flour, the first coating based on zirconium silicate flour, Molochite after recycling as a stuccoing material,
- Type E – CMC based on SiO₂ flour with the addition of Ekosil or KE (coatings 1, 3, 4, 6 and 8 based on Ekosil, coatings 2, 5, 7 with KE), SiO₂ as a stuccoing material,
- Type F – CMC based on Ekosil, coatings 1 and 3 KE, coatings 2 and 4 Molochite flour, Molochite as a stuccoing material. Four-coating mould made in sleeves with proper filler (coarse-grained SiO₂ >1mm).

2.2. Methodology

For the first time, in studies, a combined set of patterns (Fig. 4) was used, which comprised patterns made from foamed polystyrene (Figs. 2 and 3) and patterns made from paraffin and stearin with the addition of Montana wax in an amount of 10% (Fig. 1). To reduce the cost of studies, polystyrene patterns were cut out from a plate of proper density using a tool with a wire through which a current induced by a 4.5 V battery was flowing. This method of pattern-making was not perfectly reproducible, which naturally must have resulted in a large scatter of patterns in a batch $\Delta M = M_{\max} - M_{\min}$, much higher than for the melted out patterns. To evaluate the stability of the Replicast CS process and lost foam technique in terms of the dimensional accuracy of castings, the scatter of casting dimensions was evaluated as $\Delta(M - L)_{6\sigma}$ for each batch of products. Patterns were numbered to assign the casting to an appropriate pattern. To minimise uncertainty in the measurements, most measurements were taken on a coordinate ZEISS UMC550 measuring machine with HSS head and HP/UX workstation [7].

For each group of individual dimensions, mean values \bar{X} were calculated as well as the values of the six sigma deviations. After analysis, the outlier dimensions were rejected based on an average square deviation σ . It has been assumed later that the real

dimensions are within the interval $L_{\min} = \bar{X} - 3\sigma$ and $L_{\max} = \bar{X} + 3\sigma$, where L_{\min} is the minimum dimension of casting and L_{\max} is the maximum dimension of casting. The approved dimensions were used to assess the value of (M - L).

The study was conducted on sample castings, where the sample batch size ranged from $n = 10$ to $n = 30$, and where the batch size of castings made of foamed polystyrene patterns ranged from $n = 10$ to $n = 20$, and the batch size of castings made of paraffin and stearin patterns ranged from 20 to 30 pieces. The ceramic moulds after the removal of patterns were fired, cooled down and preheated before pouring to 300°C. Moulds were poured with ALSi9 alloy. Castings for the analysis were shaped so as to make their solidification modulus similar to each other (Figs. 1 and 3).

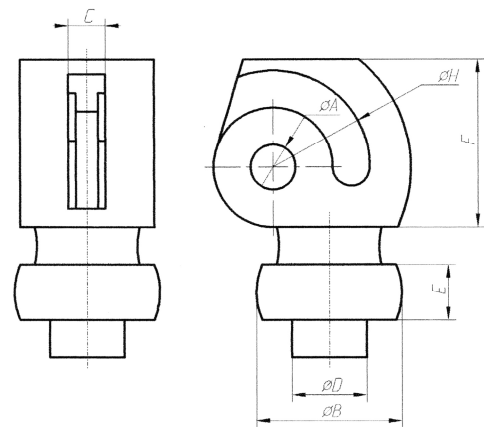
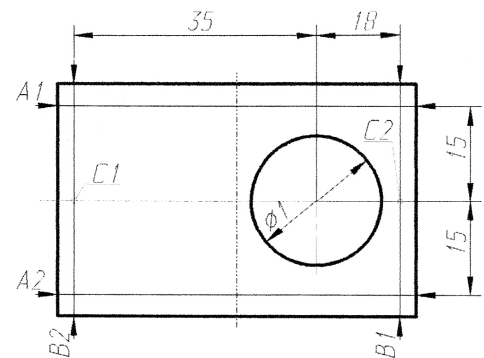


Fig. 1. Casting A, pattern material – mixture of paraffin and stearin



C1, C2- grubości

Fig. 2. Casting C, pattern material – foamed polystyrene

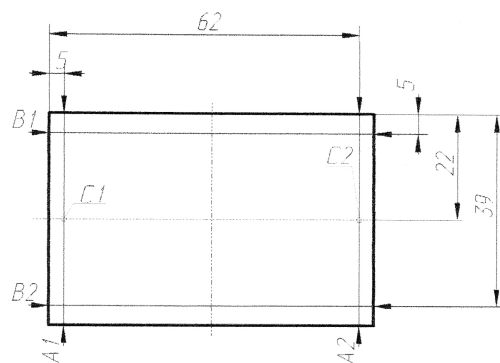


Fig. 3. Casting D, pattern material – foamed polystyrene

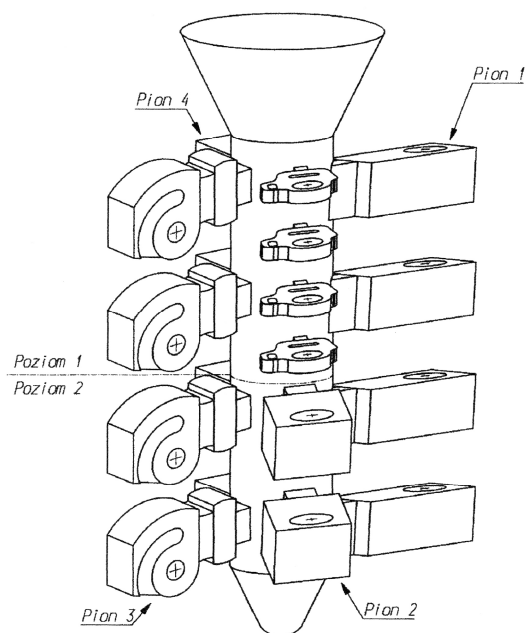


Fig. 4. Pattern cluster used in tests

2.3. Discussion of results

Based on the measurement results, for each type of casting (Figs. 1 to 3) and for each type of ceramic mould, the value of $\Delta(M-L)_{6\sigma}$ was calculated, allowing for the dimensions shown in the drawings of castings.

From the regression equations, relevant slopes of the straight lines and appropriate equations for the evaluation of $\Delta(M-L)_{6\sigma}$ were derived

- Fig. 5 - $\Delta(M-L)_{6\sigma} = 0,011\bar{X} + 0,049$, where the following mean values \bar{X}_i were considered
 $\bar{X}_1 = 43,01$; $\bar{X}_2 = 51,64$; $\bar{X}_3 = 12,71$; $\bar{X}_4 = 16,16$;
- Fig. 6 - $\Delta(M-L)_{6\sigma} = 0,0078\bar{X} + 0,05$

$\bar{X}_1 = 24,05$; $\bar{X}_2 = 43,10$; $\bar{X}_3 = 43,17$; $\bar{X}_4 = 66,31$;
 $\bar{X}_5 = 66,11$;

- Fig. 7 - $\Delta(M-L)_{6\sigma} = 0,02\bar{X} - 0,372$
 $\bar{X}_1 = 24,2$; $\bar{X}_2 = 43,45$; $\bar{X}_3 = 43,46$; $\bar{X}_4 = 66,98$;
 $\bar{X}_5 = 65,56$;
- Fig. 8 - $\Delta(M-L)_{6\sigma} = 0,027\bar{X} + 0,324$
 $\bar{X}_1 = 23,7$; $\bar{X}_2 = 43,01$; $\bar{X}_3 = 43,19$; $\bar{X}_4 = 66,22$;
 $\bar{X}_5 = 66,26$;

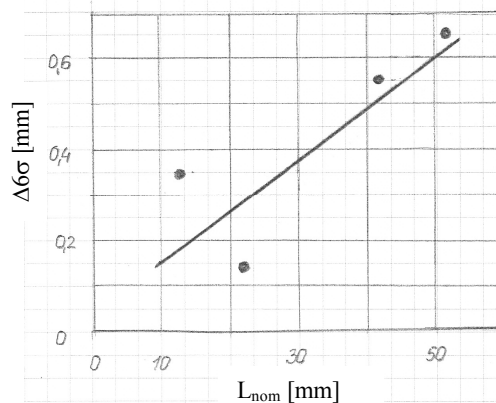


Fig. 5. The value of deviation $\Delta(M-L)_{6\sigma}$ in function of the dimension L_{nom} . Mould type E, casting type A

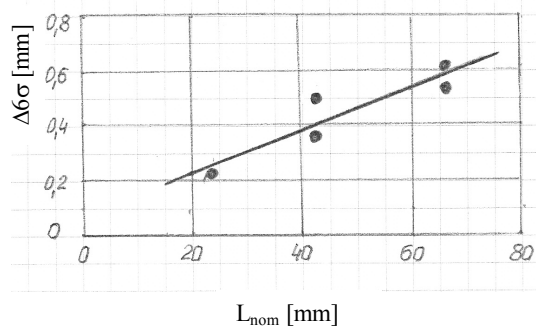


Fig. 6. The value of deviation $\Delta(M-L)_{6\sigma}$ in function of the dimension L_{nom} . Mould type A, casting type C

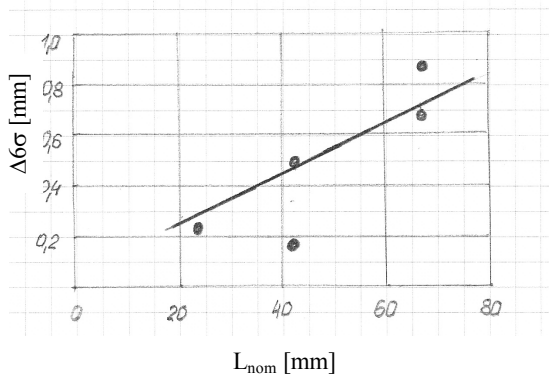


Fig. 7. The value of deviation $\Delta(M - L)_{6\sigma}$ in function of the dimension L_{nom} . Mould type D, casting type C

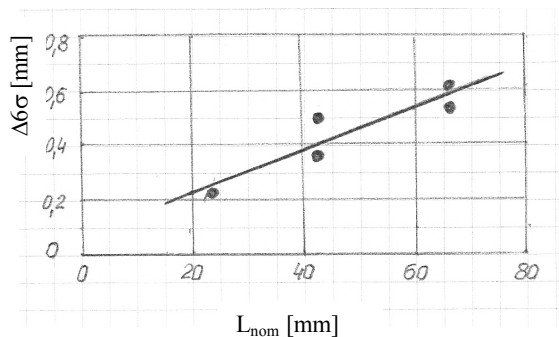


Fig. 8. The value of deviation $\Delta(M - L)_{6\sigma}$ in function of the dimension L_{nom} . Mould type F, casting type D

Summing up the equations shown in Figures 5 to 8 for $L_{nom} = 50$ mm, the following values were obtained:

- For casting of type A, Fig. 1, reproduced from pattern made of a paraffin, stearin and Montana wax composition (mould composed of 8 coatings based on SiO_2) - the value obtained was $\Delta(M - L)_{6\sigma} = 0,61$ mm
- For casting of type C (polystyrene pattern), mould composed of 8 coatings with Molochite stucco - the value obtained was $\Delta(M - L)_{6\sigma} = 0,41$ mm
- For casting of type C (Fig. 2), mould based on recycled Molochite stucco (coatings from 2 to 8) - the value obtained was $\Delta(M - L)_{6\sigma} = 0,54$ mm
- For casting of type D (Fig. 3), mould composed of four coatings with Molochite stucco; type F, moulding in a sleeve with SiO_2 filler – the value obtained was $\Delta(M - L)_{6\sigma} = 0,65$ mm

3. Summary

The application of Molochite for stucco instead of SiO_2 (mould E) increased process stability, reducing the deviations $\Delta(M - L)_{6\sigma}$ by the value of 0.06 mm to 0.13 mm for $L_{nom} = 50$ mm. Changing the pattern type had no significant effect on the dimensional stability. On the other hand, the use of a traditional 4 coating mould, most popular in the Replicast CS process, when moulding the shell in a sleeve with SiO_2 as a filler, gave the value of deviation M - L larger by 0.05 mm than for the casting of type A (mould with SiO_2 as a stucco material).

In general terms it can be stated that the use of traditional investment ceramic mould in the Replicast CS process gives similar dimensional stability measured with parameter $\Delta(M - L)_{6\sigma}$. Moreover, the use of recycled Molochite as a stucco material introduces no major changes to the system (mould of type D) and gives the desired ecological effects [7], for example, reduces the energy consumption in production which, in turn, gives the reduced rate of CO_2 emissions.

4. Conclusions

1. The Replicast CS process and investment casting as applied to ALSi9 alloy, using similar technology of the ceramic mould making, give similar values of dimensional accuracy expressed by the parameter $\Delta(M - L)_{6\sigma}$.
2. The use of recycled Molochite as a stucco material in the ceramic mould making process only minimally alters the dimensional accuracy of castings, while exerting a beneficial effect on the environment.

References

- [1] Ashton, M. C., Sharman, S. G. & Brookes, A. J. (1984). The Replicast CS (Ceramic Shell) Process. *Trans. AFS*. 92, 271-280.
- [2] Trumbulovica, L., Acimovich, Z., Gulisijac, Z. & Andric, L. (2004). Correlation of technological parametrs and quality of casting obtained by the EPC metod. *Materials Letters*. 58, 1726-1731.
- [3] Description of the Replicast CS process, 2010, from <http://castingtechnology.com/public/services/specialprocesses/replicastmain>
- [4] Piwonka, T. S. (1990). A comparison of lost pattern casting processes. *Materials&Design*. 11(6).
- [5] Haratym, R. (2003). Dimensional accuracy of castings made in the Replicast CS process. *Archives of Foundry*. 3(9).
- [6] Grote, R. E. (1986). Replicast ceramic shell moulding: the process and its capabilities. *AFS. Trans.* 181-186.
- [7] Zeiss, C. (2001). Industrielle Messtechnik – Universal – Messprogramm – UX.
- [8] Kielczyk, R. (2010). Overview Foundry - Report 2009, 46-47.