

Starting Power Units in Cooperation with Renewable Energy Sources

Authors

Janusz Badur
Daniel Sławiński

Keywords

fast turbine start-up, cogeneration, turbine component life time

Abstract

The article presents the development trends in the electricity generation market. Attention is paid to the strongly developing renewable energy sources (RES). For example, results developed for the power sector in Germany are quoted. Besides undoubted gains from such power sector development, also pointed out are some risks for conventional power generation, due to the nature of operation of these two generation modes. Based on the results of an analysis of the body of a high-power steam turbine's HP part, a way of creating cooperation and mutual complementarity of these two types of generation sources is presented. To determine the conditions for this cooperation, the results of numerical simulation with elastic-plastic adaptations of the material were used. This branch of mechanical engineering, with numerous applications in other industries, has not found any deeper application in the energy sector, even though the Polish school of elasticity had the leading status in the world and is still recognized today.

Appropriate application of the shakedown phenomenon enables faster starts, and hence the mutual coexistence of large steam units with developing renewable energy farms, whose outputs are strongly dependent on weather conditions.

DOI: 10.12736/issn.2300-3022.2016401

Introduction

Renewable energy sources and their use with conventional units is a challenge for science and industry. Conventional sources are often substitutes or power reservoirs for RES farms. Difficulties in cooperation between these two elements should be seen in the distance which divides them (Fig. 1). Conventional power plants are located mainly in the region of Silesia, while a large part of wind farms is in the northern part of Poland.

A winning formula for this type of condition should be sought in the prosumer economy of electricity generation [3, 4]. An advantage of the solution whereby every household can be both an energy consumer and exporter, is the self-sufficiency and autonomy of local energy islands [5].

Fig. 2 shows progressive increase in electricity generation in renewable energy sources. With the self-sufficiency of local islands and increasingly growing potential of RES generation it

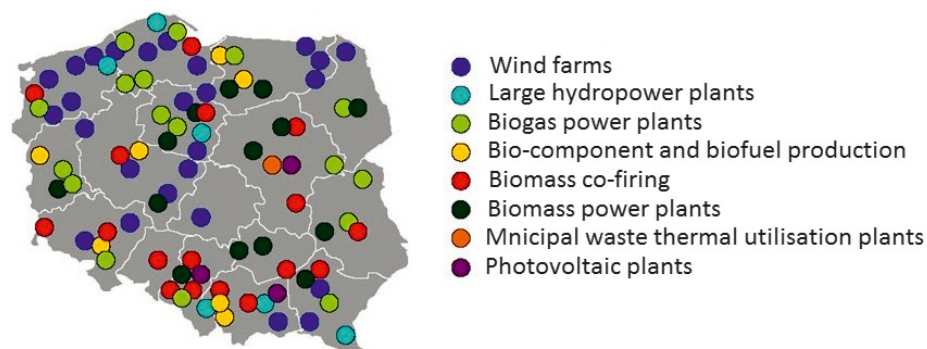


Fig. 1. Deployment of renewable energy generation / source: Polish Wind Energy Association [11]

will be possible in the future to eliminate the peak demands for electric power generated by households. This will contribute to the stable primary operation of large conventional units, which were designed largely for this kind of task. Until the prosumer energy crystallization, transitional measures are needed that would allow for the stable coexistence of these two types of power generation [3, 13].

Various options have been considered of such a joint existence of these two sources. The first option, which could be analysed only at the theoretical stage, was the construction for each RES farm of conventional units, i.e. an alternative source in the event of adverse weather conditions. The costs of such projects would, in a short time, exceed the long-term gains from this type of investment [5]. Another idea was that always, in some corner of the world, there are the conditions for electricity generation, and therefore, all that is needed to fill the gaps are efficient power grids capable of transport of large powers. The costs of their construction often rivalled the construction of local conventional sources.

An interesting idea is to build power batteries that would be situated near power sources. Such a solution is discussed in the literature [9]. Electricity, or rather its surplus, would be collected at a time when weather conditions allowed for its production from renewable energy sources.

Another way would be to collect surplus energy close to conventional sources. While there is a demand for power in the power grid, the accumulated energy can reduce the temperature gradients that occur during the rapid connection of a conventional block to the grid.

Another proposal, brought by Sławiński [9], is to treat renewable energy sources and conventional units as energy market participants on equal rights. This approach is largely consistent with the proposals of Kraków centre. In this case, the short start-up times are achieved by more precise control of the material effort and degradation processes. In the Krakow approach, they also used power batteries [10]. Admitted in the start-up course is a small plasticizing of the most strenuous places in the turbine, receiving in return shorter start-up times. A 380 MW unit's start-up time is shortened by ca. 40%, which translates into the reduction of the total time of the machine's start from cold state from 5 hours to 3.5 hours.

The use of elastic-plastic adaptation can refer both to shortening turbine start time, as well as its shut-down. While the benefits are quantifiable, this method – although well described in the literature and applied successfully for decades in other industries [6, 7] – requires a much larger contribution from a potential user to monitoring the structure's effort, as well as the capacity to use a lot more complicated mathematical apparatus from the engineering personnel. The mathematical model's fundamentals and applications on actual geometry are presented in [8, 9]. The idea behind this approach is to provide faster starts and shut-downs of power units to allow the steam turbo generator designed to run in the primary work mode the unsteady operation in the day – night regime.

Mathematical model of the processes of energy dissipation in device components

To carry out numerical simulations, in which thermo-elastic-plastic problems were analysed, complete equations were used of mass, momentum and energy balance [1, 6, 7]:

$$\begin{aligned} \frac{\partial}{\partial t} \rho + \frac{\partial}{\partial x_i} (\rho v_i) &= 0 \\ \frac{\partial}{\partial t} \rho v_i + \frac{\partial}{\partial x_j} (\rho v_i v_j + p \delta_{ij}) &= \frac{\partial}{\partial x_j} t_{ij} + \rho b_i \\ \frac{\partial}{\partial t} \rho c_p T + \frac{\partial}{\partial x_i} (\rho e v_i + \sigma_{ij} v_j) &= \frac{\partial}{\partial x_i} (t_{ij}^c v_j + q_i) + \rho b_i v_i \end{aligned} \quad (1)$$

where:

$$e = c_p T + \frac{1}{2} v_i v_i, T, v_i, \sigma_{ij}, t_{ij}, q_i, b_i, \delta_{ij}, \partial_i = \frac{\partial}{\partial x_i}, i, j, k = x, y, z$$

are, respectively: energy, temperature, velocity vector, elastic and viscous stress tensor, Fourier heat flow and mass force, Kronecker delta, spatial derivative and tensor components in Cartesian coordinate system.

The equations of mechanical and thermal motion's kinematics, laid on the total deformation tensor and heat flux vector, are written in the following form:

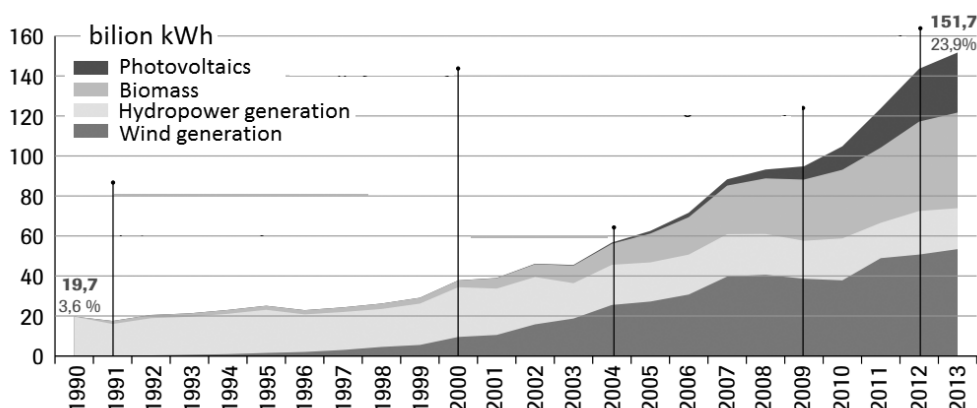


Fig. 2. Development of electricity generation in renewable energy sources in 1990–2012 / source: AG Energiebilanzen (AGEB) [2]

$$\varepsilon_{ij} = \frac{1}{2} \left(\frac{\partial}{\partial x_j} v_i + \frac{\partial}{\partial x_i} v_j \right) \quad (2)$$

$$q_i = \kappa \frac{\partial}{\partial x_i} T \quad (3)$$

Additive decomposition of total deformation is presented as the sum of elastic, plastic and thermal deformations:

$$\varepsilon_{ij} = \varepsilon_{ij}^e + \varepsilon_{ij}^p + \varepsilon_{ij}^T \quad (4)$$

Constitutive equation for thermo-elastic stresses is presented in accordance with Hooke-Duhamel law [9]:

$$\sigma_{ij} = 2\mu\varepsilon_{ij}^e + \lambda \varepsilon_{kk}^e \delta_{ij} + \beta(T - T_{ref})\delta_{ij} \quad (5)$$

where: μ, λ are Lamé constants in the form combining Young's modulus E with Poisson's ratio ν :

$$\lambda = \frac{\nu E}{(1-2\nu)(1+\nu)}, \quad \mu = \frac{E}{2(1+\nu)} \quad (6)$$

and β is the linear coefficient of thermal expansion. Border area of early plasticity is described by the specific energy of non-dilatational strain given by Huber-Mises-Hencky.

$$F(\sigma_{ij}, \alpha_{ij}, R_w) = \sqrt{\frac{3}{2} J_{II}} - r - R_e = 0 \quad (7)$$

$$J_{II} = \frac{1}{2} (s_{ij} - \alpha_{ij})(s_{ij} - \alpha_{ij}), \quad i, j = x, y, z \quad (8)$$

HMH yield condition determines the threshold value of non-dilatational strain energy, which evolves by way of isotropic r and kinematic gain α_{ij} . R_e is the yield strength, and J_{II} is the second invariant of the stress deviator defined by the equation (8). Kinematic and isotropic gain evolution equation has the form of Ziegler Prager [7, 8, 9]:

$$\dot{\alpha}_{ij} = \frac{2}{3} R_m \dot{\varepsilon}_{ij}^p - a \dot{\varepsilon}_{eff}^p \alpha_{ij} \quad (9)$$

$$\dot{R}_w = \dot{\varepsilon}_{eff}^p b \left(1 - \frac{r}{r_\infty} \right) \quad (10)$$

where: R_m corresponds to the tensile strength limit, and a, b are constants that require calibration.

Definition of thermodynamic rate of specific deformation energy

Further on the member was defined that is responsible for describing the energy dissipated at each working cycle. For this the postulate proposed by Drucker [8, 9] was used.

$$(\sigma_{ij} - \sigma_{ij}^*) \varepsilon_{ij}^{pl} \geq 0 \quad (11)$$

where: σ_{ij}^* is the stress tensor defined for the elastic range. Using the second law of thermodynamics and the entropy equation given by the Clausius-Duhem, and expanding the postulate with members resulting from kinematic and isotropic yield of the material – α_{ij}, r – the dissipated energy can be defined in the following form:

$$\dot{W}^{pl} = (\sigma_{HMH} - \sigma_{ij}^*) \varepsilon_{ij}^{pl} + \sigma_{eqv} \frac{\partial \alpha_{ij}}{\partial \varepsilon_{ij}^{pl}} \varepsilon_{eqv}^{pl} + \sigma_{eqv} \frac{\partial r}{\partial \varepsilon_{eqv}^{pl}} \varepsilon_{eqv}^{pl} \geq 0 \quad (12)$$

After the introduction of the following definitions:

$$\bar{\sigma} = \sigma_{HMH} - \frac{\partial}{\partial \varepsilon_{eqv}^{pl}} \psi, \quad \dot{X} = \frac{\partial \dot{\alpha}_{ij}}{\partial \varepsilon_{ij}^{pl}} \varepsilon_{eqv}^{pl}, \quad \dot{R} = \frac{\partial \dot{r}}{\partial \varepsilon_{eqv}^{pl}} \varepsilon_{eqv}^{pl} \quad (13)$$

and the introduction to (12), as the consequence the following definition of the dissipated energy [9] is obtained:

$$\dot{W}^{pl} = \bar{\sigma} \cdot \varepsilon_{eqv}^{pl} - \sigma_{eqv} \cdot (\dot{X} + \dot{R}) \geq 0 \quad (14)$$

Model implementation on selected geometry, and simulation results

Fig. 3 shows a section through a high-power steam turbine, in the manufacturer's folder designated as 18K380. Marked in this figure indicates are the areas to which special attention should be paid at the machine's quick start-up and shut-down. Potentially, these places are the most common cause of failure and should be covered with 24/7 monitoring.

These places are also subject to special attention when adapting the machine for quick start-ups and shut-downs taking into account the elastic-plastic adaptation [8]. These places, in order of importance, are: 1 – around the fresh steam inlet steam to the 1st HP stage (the area includes spiral inlet, guide vanes, and the corresponding rotor area along with the 1st rotor blade), 2 – glands located on the hot side of HP body, 3 – glands on the cold side of HP body. For the purpose of this paper the areas subject

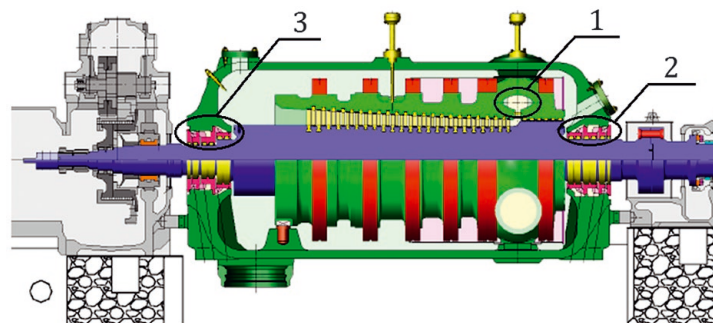


Fig. 3. View of the HP part of 18K380 steam turbine with marked sensitive areas, intensely strained at start-ups and shut-downs [12]

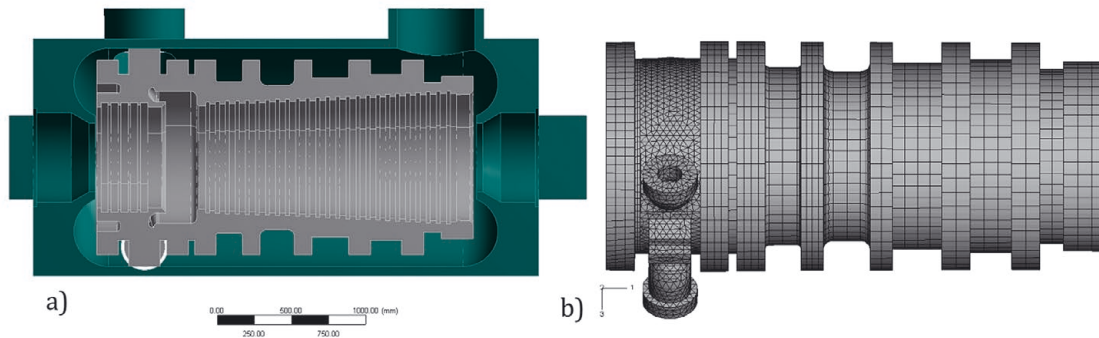


Fig. 4. Models of 18K380 turbine's HP body: a) geometric, b) numerical of inner hull after discretization with finite elements mesh

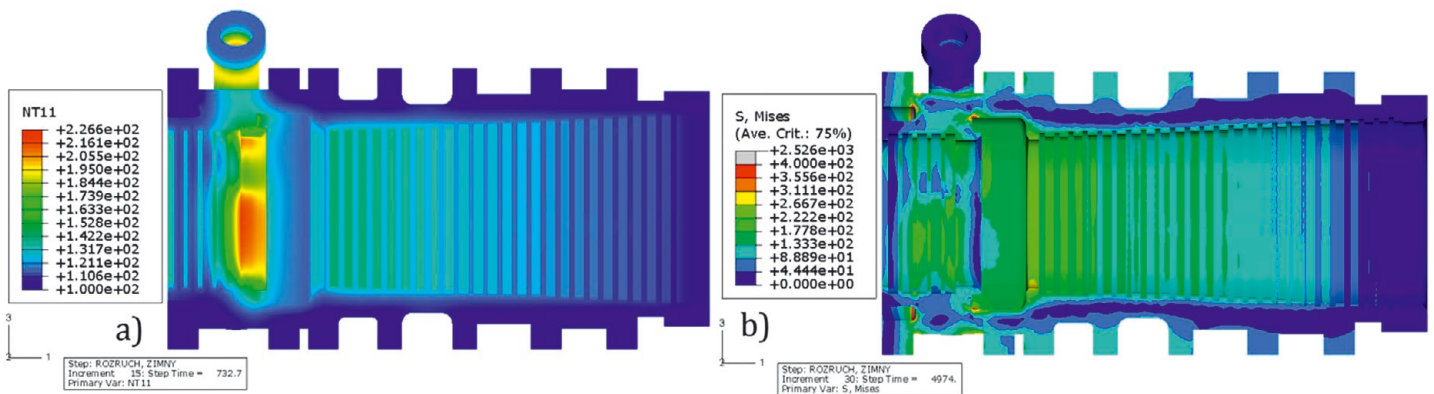


Fig. 5. a) Fields of temperature and b) of thermal stresses, resulting in the time step corresponding to 920 seconds of the HP part heating up from the cold state

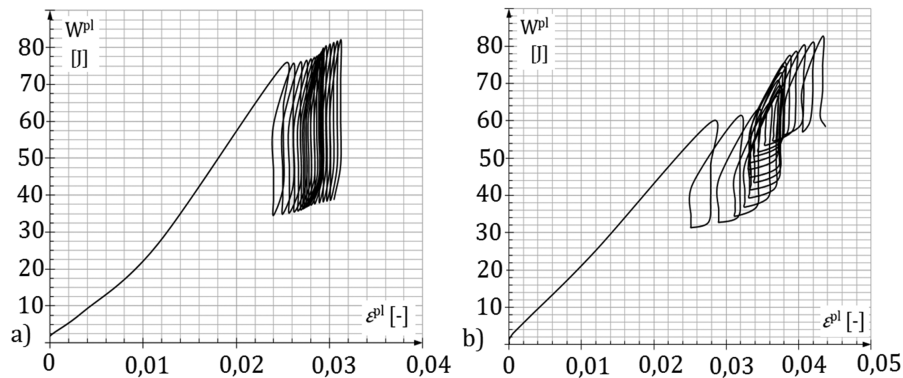


Fig. 6. Cyclical loops of the dissipated strain energy read in area 1 for the case: a) in which the start-up rate enabled the material's elastic-plastic adaptation, and b) wherein too fast start leads to a rapid destruction of the machine's component [9]

to special attention were limited to HP part only. This part, as the most strenuous, would further on provide the conditions under which the elastic-plastic adaptation of elements is possible, and thus a shorter duration of start-ups and shut-downs.

Fig. 4 shows the geometrical models of a high-power steam turbine's HP body, which were used to analyse the elastic-plastic adaptation capacity with shortened start-up and shut-down times. For the purpose of the analysis the inner body was modelled, as well as the outer body, which reflects the conditions under which the bodies are warmed-up.

The results of the simulation are shown in Fig. 5. The figure on the left (Fig. 5a) shows the spatial temperature fields obtained for the beginning of soak time. The places with the highest temperatures are the inlet spirals and control stage chamber.

Also visible are changes in the area of the next stages, which is caused by the steam feed stream and a small expansion around the control stage. The other figure (fig. 5b) shows the field of thermal stress, which developed in the body as a result of heating up. The most intensive load of the material is also around the

inlet spirals and the control chamber area. Also visible is a load of notches of successive turbine stages.

The next figure (Fig. 6) shows the results describing the material effort during subsequent cycles of loads and outages. The graph on the left side shows the cyclical loops for dissipated energy obtained for a small yielding of sensitive areas, in this case the 1st stage guide vane. These loops are arranged evenly, and increases are regular and predictable for estimate. The increment of the plastic strains obtained in each subsequent cycle is not greater than those obtained in the identical simulation for running the turbine in accordance with the standards [9].

The graph on the right side (Fig. 6b) shows the situation of too strong yielding in the first cycle, which results from the turbine set's too rapid start-up. The changes that had occurred in the material's prehistory determined its subsequent behaviour during operation. Visible after subsequent cycles is the curve's characteristic loop, with virtually unchanged permanent deformations' magnitude. In the next part, we observe the characteristic increase in the dissipated energy and its cyclical, increasing growth.

This example calls the attention to the inappropriateness of the high-power steam turbine sets originally designed to operate for the basic load's supply, and points out to the need for close monitoring of the machine's sensitive elements in terms of excessive loss of life caused by the unsteady operation: day – night or remaining in hot reserve for active RES farms. Proper control of permanent deformations, and the material degradation degree allow the fully secure coexistence of conventional steam units with increasingly developing large RES farms.

Conclusions

This article presents a way to enable the coexistence on an equal footing of traditional steam units with large RES farms. The alternating operation of these two sources is possible under certain conditions. The most important of them is the speed of starting or stopping steam turbine sets, allowing the national power system's response to the connection to disconnection from the grid of e.g. large wind farms.

This task has been accomplished by utilizing the shakedown phenomenon. This phenomenon, known as a material's elastic-plastic adaptation, has been well described in the literature and is easily implemented in other industries. A significant contribution to the development of this mechanical engineering discipline made works published at the Institute of Fundamental Technological Research of the Polish Academy of Sciences in Warsaw. The world's elite of these specialists undoubtedly includes Jan Andrzej Köning [6, 7].

The article presents the results based on a simulation of heating up the inner body of the HP part of a high-power steam turbine set. The cyclical loops presented here that describe the increase in the dissipated strain energy allowed determining the starting pace. A properly selected start-up speed enabled a shorter switching-on time without excessive loss of the turbine set's life. The results are so promising that further work is recommended on a deeper application of the model, and further simulations on other turbine set components, first on MP part body, HP and MP rotor, well as control and shutoff valve bodies.

REFERENCES

1. Ł. Felkowski, P. Duda, "Analysis superheater work under creep conditions", *Acta Energetica*, No. 1 (22), 2015, pp. 46–56.
2. <http://www.ag-energiebilanzen.de>
3. R. Hyrzyński et al., "Współzmienność generacji energii elektrycznej w elektrowniach wiatrowych i fotowoltaicznych w warunkach zbliżonych do polskich" [*Complementarity of Wind and Photovoltaic Power Generation in Conditions Similar to Polish Conditions*], *Acta Energetica*, No. 4 (17), 2013, pp. 22–26.
4. J. Kiciński, G. Żywica, "Steam Microturbines in Distributed Cogeneration", Gdańsk 2014 (eBook).
5. M. Kleiber, "Mądra Polska" [*Wise Poland*], Warszawa 2015.
6. J.A. Köning, "Shakedown of Elasto-Plastic Structures", Warszawa 1987.
7. A. Sawczuk, M. Janas, J.A. Köning, "Analiza plastyczna konstrukcji" [*Plastic Analysis of Structures*], Warszawa 1972.
8. D. Sławiński, J. Badur, "A concept of elasto-plastic material adaptation by the thermal-FSI simulation", conference proceedings PCM-CMM-2015-3rd Polish Congress of mechanics & 21st Computer Methods in Mechanics, 8–11 September 2015, Gdańsk.
9. D. Sławiński, "Rozruch maszyn energetycznych z uwzględnieniem sprężysto-plastycznej adaptacji konstrukcji" [*Starting power machines with consideration of elastic-plastic adaptation of structure*], PhD dissertation at IMP PAN, pro motor Prof. Dr. Hab. Eng. J. Badur, Gdańsk 2016.
10. J. Taler et al., "Optimisation of the boiler start-up taking into account thermal stresses", 12th International Conference on Boiler Technology, Prace Naukowe IMiUE Pol. Śląskiej [*Scientific works of IMiUE of Silesian University of Technology*], Szczyrk 2014.
11. www.psew.pl.
12. www.ge-alstom.com.
13. P. Ziółkowski et al., "Czyste technologie gazowe – szansą dla Pomorza" [*Clean gas technologies – an opportunity for the Pomorze region*], "Rynek Energii" [*Energy Market*], No. 1 (1–4), 2013, pp. 79–85.

Janusz Badur

Polish Academy of Sciences

e-mail: Janusz.Badur@imp.gda.pl

Prof. Dr. Hab. Eng. Janusz Badur is a long-standing employee of the Institute of Fluid-Flow Machinery of the Polish Academy of Sciences in Gdansk, the creator of the Institute's Department of Energy Conversion. For many years he has dealt with numeric thermodynamics, specializing in modelling flows under agitation, phase changes and chemical reactions under the conditions of strong mechanical and thermal turbulence. He has been collaborating with many foreign national technical universities for many years. He has interned at Ruhr-Univesität Bohum, Université de Poitiers, University of Manchester, University of Karlsruhe. Author of many studies of turbine modernization and repair developed for Alstom Power and Polish power plants. He is the author or co-author of over 155 publications and 12 monographies.

Daniel Sławiński

Polish Academy of Sciences

e-mail: daniel.slawinski@imp.gda.pl

Graduated as master of science in power engineering from the Faculty of Ocean Engineering and Ship Technology at Gdańsk University of Technology in 2006. He gained professional experience at Alstom Power. Since graduating he has been a researcher at the Institute of Fluid-Flow Machinery at the Polish Academy of Sciences in Gdańsk. In 2016 he obtained his doctorate in mechanical engineering, with a specialisation in thermal stress. His research interests include the issues of continuum mechanics, thermo-dynamics of destruction and CSD/CFD numerical methods. In his research work he usually deals with a large power unit's start-up and shut-down modelling.

This is a supporting translation of the original text published in this issue of "Acta Energetica" on pages 6–11. When referring to the article please refer to the original text.

PL

Starty bloków energetycznych we współpracy z odnawialnymi źródłami energii

Autorzy

Janusz Badur
Daniel Sławiński

Słowa kluczowe

szybkie rozruchy turbin, kogeneracja, żywotność elementów turbin

Streszczenie

W artykule zaprezentowano trendy rozwojowe rynku wytwarzania energii elektrycznej. Zwrócono przy tym uwagę na silnie rozwijającą się energetykę odnawialną (OZE). Dla przykładu przytoczono wyniki opracowane dla energetyki niemieckiej. Oprócz niewątpliwych zysków z takiego rozwoju energetyki wskazano również na pewne zagrożenia dla energetyki konwencjonalnej, wynikające ze specyfiki pracy tych dwóch gałęzi wytwarzania. Na podstawie wyników analizy korpusu części WP turbiny parowej dużej mocy zaprezentowano sposób kreowania współpracy i wzajemnego uzupełniania tych dwóch źródeł wytwarzania. Dla określenia warunków, jakim winna podlegać ta współpraca, posłużono się wynikami symulacji numerycznej wykorzystującej adaptację sprężysto-plastyczne materiału. Ten dział mechaniki, mający swobodne zastosowanie w innych działach przemysłu, w energetyce nie znalazł głębszych aplikacji, pomimo że polska szkoła plastyczności miała status wiodącej w świecie i jest rozpoznawalna do dziś. Poprawne zastosowanie zjawiska *shakedownu* umożliwiłoby szybsze starty, a tym samym wzajemną koegzystencję dużych bloków parowych z rozwijającymi się farmami OZE, których moce wytwórcze silnie zależą od warunków pogodowych.

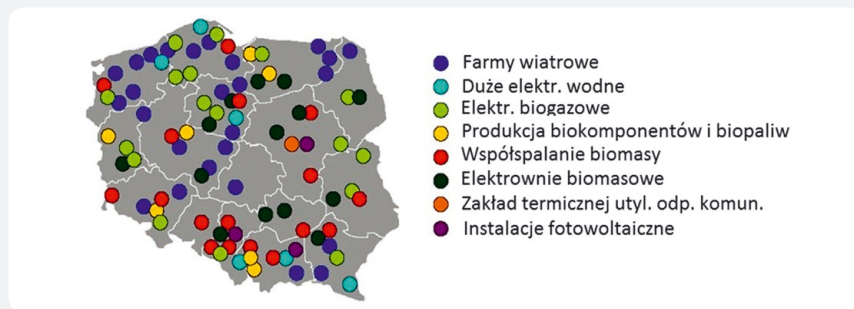
Wstęp

Odnawialne źródła energii oraz ich współpraca z konwencjonalnymi blokami to wyzwanie dla nauki i przemysłu. Konwencjonalne źródła stają się często zamiennikami lub rezerwuarami mocy dla farm OZE. Trudności we współpracy tych dwóch elementów należy upatrywać w odległościach, jakie je dzielą (rys. 1). Elektrownie konwencjonalne umieszczone są w głównej mierze w okolicach Śląska, natomiast znaczna część farm wiatrowych znajduje się w północnej części kraju.

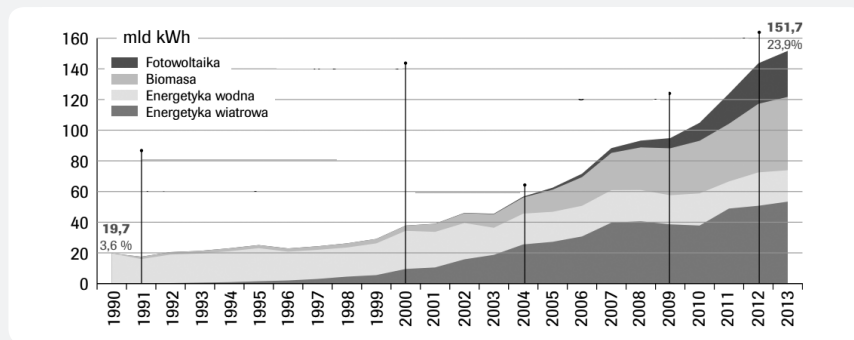
Recepty na tego typu stan upatrywać należy w prosumenckiej gospodarce wytwarzania energii [3, 4]. Zaletą rozwiązania, że każde gospodarstwo może być zarówno konsumentem energii, jak i jej eksporterem, jest samowystarczalność i autonomiczność lokalnych wysp energetycznych [5].

Na rys. 2 pokazano progresywny wzrost produkcji prądu elektrycznego przy wykorzystaniu odnawialnych źródeł energii. Samowystarczalność lokalnych wysp oraz coraz bardziej wzrastający potencjał mocy związany z OZE powodują, że istnieje w przyszłości możliwość wyeliminowania szczytowych zapotrzebowań na moc elektryczną generowaną przez gospodarstwa domowe. Działanie to przyczyni się do stabilnej pracy podstawowej dużych bloków konwencjonalnych, które były projektowane w znacznej mierze do tego typu zadań. Do chwili wykrywania się energetyki prosumenckiej potrzebne są działania przejściowe, które pozwoliłyby na stabilną koegzystencję tych dwóch typów wytwarzania energii [3, 13].

Rozważano różne możliwości na wspólną egzystencję tych dwóch źródeł. Pierwszą możliwością, która mogła być analizowana wyłącznie na etapie teoretycznym, była budowa dla każdej farmy OZE bloków konwencjonalnych, czyli alternatywnego źródła na wypadek niekorzystnych warunków pogodowych. Koszty tego typu przedsięwzięć w krótkim czasie



Rys. 1. Rozmieszczenie odnawialnych źródeł wytwarzania energii / źródło: Polskie Stowarzyszenie Energetyki Wiatrowej [11]



Rys. 2. Rozwój produkcji prądu z odnawialnych źródeł energii w latach 1990–2012 / źródło: AG Energiebilanzen (AGEB) [2]

przerosłyby długofalowe zyski z tego typu inwestycji [5].

Inny pomysł zakładał, że zawsze w jakimś zakątku świata są warunki umożliwiające generowanie energii elektrycznej, zatem dla wypełnienia luk potrzebne są sprawne i mocące przesłać duże moce sieci energetyczne. Koszty ich budowy często dorównywały budowie lokalnych źródeł konwencjonalnych.

Ciekawym pomysłem jest budowa akumulatorów mocy, które znajdowałyby się w pobliżu źródeł energetycznych. Tematyka takich rozwiązań omawiana jest w literaturze [9]. Energia elektryczna, a raczej jej nadmiar gromadzony byłby w czasie, gdy warunki pogodowe umożliwiałyby jej produkcję ze źródeł OZE.

Innym sposobem byłoby gromadzenie nadmiaru energii blisko konwencjonalnych

This is a supporting translation of the original text published in this issue of "Acta Energetica" on pages 6–11. When referring to the article please refer to the original text.

PL

źródeł. W trakcie wystąpienia zapotrzebowania mocy w sieci energetycznej nagromadzona energia umożliwiłaby zmniejszenie gradientów temperatury występujących w trakcie szybkiego załączenia do sieci konwencjonalnego bloku.

Inna propozycją, wniesioną przez Sławińskiego [9], jest traktowanie źródeł OZE, jak i konwencjonalnych bloków, na równoprawnych zasadach egzystowania na rynku energii. Podejście to jest w dużej mierze zbieżne z propozycjami ośrodka krakowskiego. W rozpatrywanym przypadku krótkie czasy rozruchów uzyskuje się dzięki dokładniejszej kontroli wyłączenia materiału oraz procesów degradacji. W podejściu krakowskim stosowano do tego akumulatory mocy [10]. W trakcie prowadzenia rozruchu dopuszcza się do niewielkiego uplastycznienia najbardziej wyętzonych miejsc w turbinie, otrzymując w zamian krótsze czasy rozruchu. Zmniejszenie czasu rozruchu dla bloku 380 MW wynosi ok. 40%, co przekłada się na całkowity czas startu maszyny ze stanu zimnego z 5 godzin do 3,5 godz.

Zastosowanie sprężysto-plastycznej adaptacji może się odnosić zarówno do skrócenia czasu startu turbiny, jak również jej odstawienia. O ile korzyści są wymierne, to metoda ta – pomimo że dobrze opisana w literaturze i stosowana z powodzeniem od dziesiątków lat w innych gałęziach przemysłu [6, 7] – wymaga od potencjalnego użytkownika dużo większego wkładu w monitorowanie stanu wyłączenia konstrukcji, jak również od kadry inżynierskiej posługiwania się dużo bardziej skomplikowanym aparatem matematycznym. Podstawy modelu matematycznego oraz aplikacje na rzeczywistej geometrii przedstawiono w pracach [8, 9]. Ideą takiego podejścia jest zapewnienie szybszych startów i odstawięń bloków energetycznych umożliwiających turbozespołom parowym projektowanym do pracy w trybie podstawowym pracę chwiejną w reżimie dzień – noc.

Model matematyczny opisujący procesy dyssypacji energii w elementach urządzenia

Dla przeprowadzenia symulacji numerycznych, w których analizowano termo-sprężysto-plastyczne zagadnienia, posłużono się pełnymi równaniami bilansu masy, pędu i energii [1, 6, 7]:

$$\begin{aligned} \frac{\partial}{\partial t} \rho + \frac{\partial}{\partial x_i} (\rho v_i) &= 0 \\ \frac{\partial}{\partial t} \rho v_i + \frac{\partial}{\partial x_j} (\rho v_i v_j + p \delta_{ij}) &= \frac{\partial}{\partial x_j} t_{ij} + \rho b_i \\ \frac{\partial}{\partial t} \rho c_p T + \frac{\partial}{\partial x_i} (\rho e v_i + \sigma_{ij} v_j) &= \\ &= \frac{\partial}{\partial x_i} (t_{ij}^e v_j + q_i) + \rho b_i v_i \end{aligned} \quad (1)$$

gdzie:

$$e = c_p T + \frac{1}{2} v_i v_i, T, v_i, \sigma_{ij}, t_{ij}, q_i, b_i,$$

$$\delta_{ij}; \partial_i = \frac{\partial}{\partial x_i}; i, j, k = x, y, z$$

są odpowiednio: energią, temperaturą, wektorem prędkości, tensorem naprężeń sprężystych i lepkich, strumieniem ciepłym

Fouriera oraz siłą masową, deltą Kroneckera, pochodną przestrzenną oraz składowymi tensora w układzie kartezjańskim.

Równania kinematyki ruchu mechanicznego i cieplnego, kładzione na całkowity tensor deformacji i wektor strumienia ciepła, zapisano w postaci:

$$\varepsilon_{ij} = \frac{1}{2} \left(\frac{\partial}{\partial x_j} v_i + \frac{\partial}{\partial x_i} v_j \right) \quad (2)$$

$$q_i = \kappa \frac{\partial}{\partial x_i} T \quad (3)$$

Addytywną dekompozycję odkształceń całkowitych przedstawiono w postaci sumy odkształceń sprężystych, plastycznych i termicznych:

$$\varepsilon_{ij} = \varepsilon_{ij}^e + \varepsilon_{ij}^p + \varepsilon_{ij}^T \quad (4)$$

Równanie konstytutywne dla naprężeń cieplno-sprężystych przedstawiono zgodnie z prawem Hooke'a-Duhameła [9]:

$$\sigma_{ij} = 2\mu \varepsilon_{ij}^e + \lambda \varepsilon_{kk}^e \delta_{ij} + \beta (T - T_{ref}) \delta_{ij} \quad (5)$$

gdzie: μ, λ to stałe Lamégo zapisane w postaci łączącej moduł Younga E z liczbą Poissona ν :

$$\lambda = \frac{\nu E}{(1-2\nu)(1+\nu)}, \quad \mu = \frac{E}{2(1+\nu)} \quad (6)$$

zaś β to liniowy współczynnik rozszerzalności termicznej (cieplnej).

Graniczną powierzchnię początku plastyczności opisano energią właściwą odkształcenia postaciowego podaną przez Hubera-Misesa-Hencky'ego.

$$F(\sigma_{ij}, \alpha_{ij}, R_w) = \sqrt{\frac{3}{2}} J_{II} - r - R_e = 0 \quad (7)$$

$$J_{II} = \frac{1}{2} (\sigma_{ij} - \alpha_{ij}) (\sigma_{ij} - \alpha_{ij}), \quad i, j = x, y, z \quad (8)$$

Warunek plastyczności HMH określa progową wartość energii postaciowej deformacji, która ewoluuje dzięki wzmocnieniu izotropowemu r oraz kinematycznemu α_{ij} . R_e jest granicą plastyczności, natomiast J_{II} jest drugim niezmiennikiem z dewiatora naprężeń zdefiniowanym równaniem (8). Równanie ewolucji wzmocnienia kinematycznego oraz izotropowego posiada postać Pragera i Zieglera [7, 8, 9]:

$$\dot{\alpha}_{ij} = \frac{2}{3} R_m \dot{\varepsilon}_{ij}^p - a \dot{\varepsilon}_{eff}^p \alpha_{ij} \quad (9)$$

$$\dot{R}_w = \dot{\varepsilon}_{eff}^p b \left(1 - \frac{r}{r_\infty} \right) \quad (10)$$

gdzie: R_m odpowiada granicy wytrzymałości na rozciąganie, zaś a, b są stałymi wymaganymi kalibracją.

Definicja termodynamicznego wskaźnika energii właściwej odkształcenia

W dalszej kolejności zdefiniowano człon odpowiadający za opisanie ilości energii

dysypowanej w trakcie każdego z cykli pracy. Wykorzystano do tego postulat zaproponowany przez Druckera [8, 9].

$$(\sigma_{ij} - \sigma_{ij}^*) \varepsilon_{ij}^{pl} \geq 0 \quad (11)$$

gdzie: σ_{ij}^* jest tensorem naprężeń zdefiniowanym dla zakresu sprężystego.

Korzystając z drugiego prawa termodynamiki oraz równania entropii podanego przez Clausiusa-Duhema oraz rozszerzając postulat o człony wynikające ze wzmocnienia kinematycznego i izotropowego materiału – α_{ij}, r – wielkość dysypowanej energii możemy zdefiniować w następującej postaci:

$$\begin{aligned} \dot{W}^{pl} &= (\sigma_{HMH} - \sigma_{ij}^*) \varepsilon_{ij}^{pl} \\ &+ \sigma_{eqv} \frac{\partial \alpha_{ij}}{\partial \varepsilon_{ij}^{pl}} \varepsilon_{eqv}^{pl} + \sigma_{eqv} \frac{\partial r}{\partial \varepsilon_{eqv}^{pl}} \varepsilon_{eqv}^{pl} \geq 0 \end{aligned} \quad (12)$$

Po wprowadzeniu następujących definicji:

$$\bar{\sigma} = \sigma_{HMH} - \frac{\partial}{\partial \varepsilon_{eqv}^{pl}} \psi,$$

$$\dot{X} = \frac{\partial \alpha_{ij}}{\partial \varepsilon_{ij}^{pl}} \varepsilon_{eqv}^{pl}, \quad (13)$$

$$\dot{R} = \frac{\partial r}{\partial \varepsilon_{eqv}^{pl}} \varepsilon_{eqv}^{pl}$$

oraz wprowadzeniu do (12) otrzymamy w konsekwencji następującą definicję dysypowanej energii [9]:

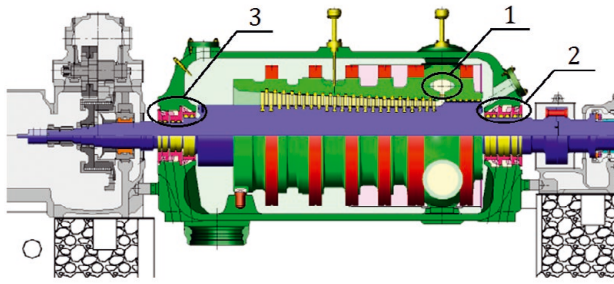
$$\dot{W}^{pl} = \bar{\sigma} \cdot \varepsilon_{eqv}^{pl} - \sigma_{eqv} \cdot (\dot{X} + \dot{R}) \geq 0 \quad (14)$$

Implementacja modelu na wybranej geometrii oraz wyniki symulacji

Na rys. 3 przedstawiono przekrój przez turbinę parową dużej mocy o oznaczeniu wg folderów producenta jako 18K380. Na rysunku tym zaznaczono obszary, na które należy zwrócić szczególną uwagę podczas prowadzenia szybkich startów i odstawięń maszyny. Potencjalnie miejsca te są najczęstszą przyczyną awarii i powinny być objęte całodobowym monitoringiem. Miejsca te również podlegają szczególnej uwadze podczas adaptowania maszyny do szybkich startów i odstawięń uwzględniających sprężysto-plastyczną adaptację [8]. Miejscami tymi, według ważności są: 1 – okolice wlotu pary świeżej na 1. st. WP (obszar ten obejmuje spiralę wlotową, łopatki kierownicze, jak i odpowiadający temu obszar wirnika wraz z 1 łopatką wirnikową), 2 – dławnice znajdujące się po stronie gorącej korpusu WP, 3 – dławnice po zimnej stronie korpusu WP. Obszary podlegające szczególnej uwadze na potrzeby niniejszego artykułu zawężono wyłącznie do części WP. Część ta, jako najbardziej wyętzona, posłużyła w dalszej kolejności do podania warunków, przy których spełnieniu możliwa jest sprężysto-plastyczna adaptacja elementów, a tym samym krótszy czas prowadzenia rozruchu i odstawięnia.

This is a supporting translation of the original text published in this issue of "Acta Energetica" on pages 6–11. When referring to the article please refer to the original text.

PL



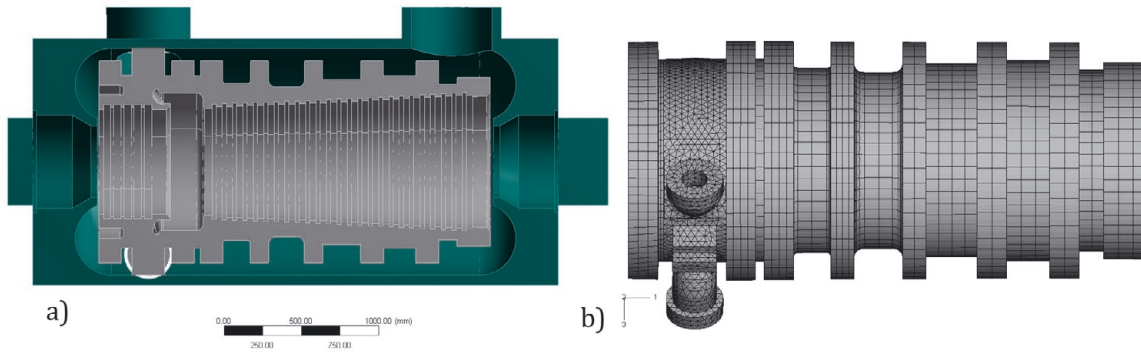
Rys. 3. Widok poglądowy części WP z turbiny parowej 18K380 z zaznaczeniem wrażliwych miejsc silnie wyłożonych w trakcie startów i odstawiń [12]

Na rys. 4 pokazano modele geometryczne korpusu części WP turbiny parowej dużej mocy, które zostały wykorzystane do przeprowadzenia analizy możliwości adaptacji sprężysto-plastycznej przy skróconych czasach startów i odstawiń. Na potrzeby analizy zamodelowano zarówno korpus wewnętrzny, jak i zewnętrzny, oddający warunki, w jakich następuje wygrzewanie korpusów. Wyniki przeprowadzonej symulacji przedstawiono na rys. 5. Na rysunku po lewej (rys. 5a) widać przestrzenne pola temperatur uzyskane dla początku czasu rozgrzewania. Miejskami o najintensywniejszej temperaturze są spirale wlotowe oraz komora

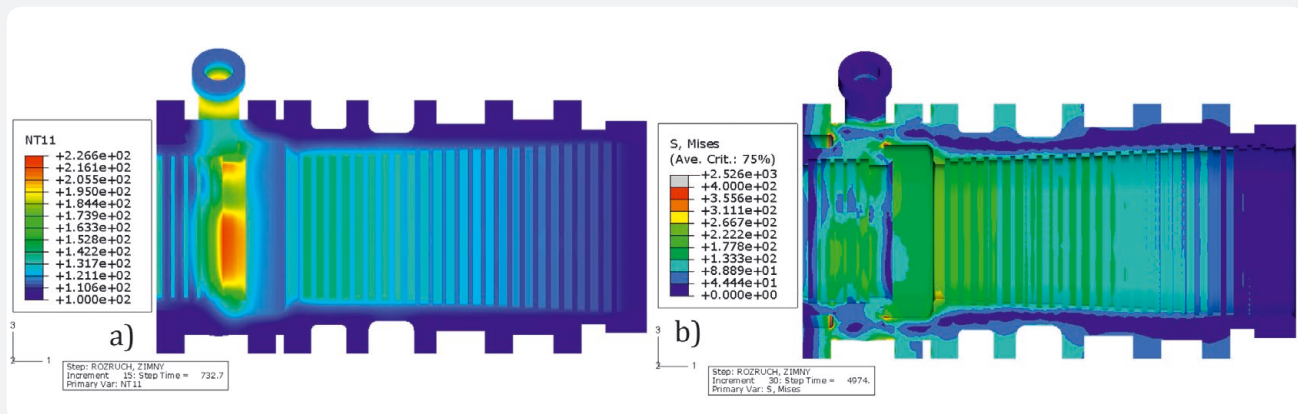
stopnia regulacyjnego. Widoczne są również zmiany w okolicy kolejnych stopni, co spowodowane jest wielkością podawanego strumienia pary oraz niewielką ekspansją w okolicach stopnia regulacyjnego. Na dalszym rysunku (rys. 5b) pokazano pola naprężeń cieplnych, jakie powstały w korpusie w wyniku rozgrzewania. Najintensywniejsze obciążenie materiału występuje analogicznie w okolicy spirali wlotowych oraz obszaru komory regulacyjnej. Widoczne jest również obciążenie wrębów kolejnych stopni turbinowych. Na kolejnym rysunku (rys. 6) pokazano wyniki opisujące wyłożenie materiału

w trakcie kolejnych cykli obciążeń i odstawiń. Wykres po lewej stronie prezentuje cykliczne pętle dla energii dysypowanej, które zostały uzyskane dla niewielkiego uplastycznienia wrażliwych miejsc, w tym przypadku łopatki kierowniczej 1 stopnia. Pętle te układają się równomiernie, a przyrosty są mierowe i przewidywalne dla oszacowania. Wielkość przyrostu odkształceń plastycznych, uzyskiwanych w każdym kolejnym cyklu, nie jest większa od tych, jakie uzyskuje się w tożsamyh symulacjach dla prowadzenia turbiny zgodnie z normami [9].

Na wykresie po prawej stronie (rys. 6b) przedstawiono sytuację zbyt silnego uplastycznienia w pierwszym cyklu, będącego wynikiem zbyt szybkiego startu turbozespołu. Zmiany, jakie zaszły w prehistorii materiału, określały jego późniejsze zachowywanie się w trakcie pracy. Po kolejnych cyklach widoczne jest charakterystyczne zapętlenie się krzywej, przy praktycznie niezmienniej wielkości odkształceń trwałych. W dalszej części obserwujemy charakterystyczny wzrost wartości energii dysypowanej oraz jej cykliczny, coraz większy przyrost. Zaprezentowany przykład jest zwróceniem uwagi na nieprzystosowanie turbozespołów parowych dużej mocy, pierwotnie projektowanych do pracy w podstawie mocy, oraz wskazaniem na potrzebę ścisłego monitorowania wrażliwych elementów maszyn pod względem nadmiernej utraty żywotności, spowodowanej pracą szarpaną: dzień – noc



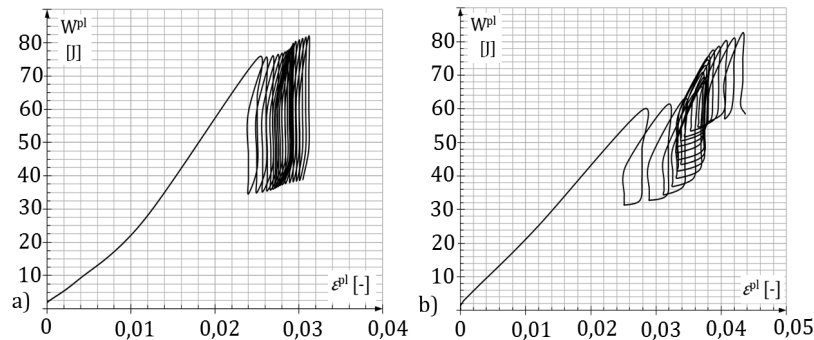
Rys. 4. Modele korpusu WP turbiny 18K380: a) geometryczny, b) numeryczny kadłuba wewnętrznego po dyskretyzacji siatką elementów skończonych



Rys. 5. a) Pola temperatur oraz b) naprężeń cieplnych, uzyskane w kroku czasowym odpowiadającym 920 s rozgrzewania części WP ze stanu zimnego

This is a supporting translation of the original text published in this issue of "Acta Energetica" on pages 6–11. When referring to the article please refer to the original text.

PL



Rys. 6. Cykliczne pętle dysypowanej energii odkształcenia odczytane w obszarze 1 dla przypadku: a) w którym szybkość rozruchu umożliwiła adaptację sprężysto-plastyczną materiału, oraz b) w którym zbyt szybki rozruch prowadzi do szybszego zniszczenia elementu urządzenia [9]

lub pozostawianiem w rezerwie gorącej dla pracujących farm OZE. Właściwe kontrolowanie odkształceń trwałych oraz stopnia degradacji materiału pozwala na w pełni bezpieczną koegzystencję konwencjonalnych bloków parowych z coraz silniej rozwijającymi się dużymi farmami OZE.

Wnioski

W niniejszym artykule zaprezentowano sposób umożliwiający równoprawną koegzystencję tradycyjnych bloków parowych z dużymi farmami OZE. Umożliwienie pracy zamiennej tych dwóch źródeł możliwe jest przy spełnieniu określonych warunków. Najważniejszym z nich jest szybkość startu i odstawienia turbozespołów parowych, umożliwiającą reagowanie KSE na załączenie/wypadnięcie z sieci np. dużych farm wiatrowych.

Realizacja tego zadania uzyskana została dzięki wykorzystaniu zjawiska *shakedownu*. Zjawisko to, znane pod nazwą adaptacji sprężysto-plastycznej materiału, zostało dobrze opisane w literaturze oraz jest swobodnie implementowane w innych gałęziach przemysłu. Znaczący wkład w rozwój tego działu mechaniki wniosły prace publikowane w IPPT PAN w Warszawie. Do światowej czołówki nazwisk zaliczyć należy niewątpliwie Jana Andrzeja Köninga [6, 7].

W artykule zaprezentowano wyniki bazujące na symulacji rozgrzewania korpusu wewnętrznego części WP turbozespołu parowego dużej mocy. Zaprezentowane cykliczne pętle opisujące wzrost dysypowanej energii odkształcenia pozwoliły na określenie tempa prowadzenia rozruchu. Właściwie dobrana szybkość rozruchu umożliwiła skrócenie czasu prowadzenia załączenia bez nadmiernej utraty żywotności turbozespołu.

Uzyskane wyniki są na tyle obiecujące, że wskazane są dalsze prace nad głębszą aplikacją modelu oraz wykonanie dalszych symulacji na innych elementach turbozespołu, w pierwszej kolejności korpusie części SP, wirnika WP oraz SP, a także korpusach zaworów regulacyjno-odcinających.

Bibliografia

1. Felkowski Ł. Duda P., Analysis superheater work under creep conditions, *Acta Energetica* 2015, nr 1 (22), s. 46–56.
2. <http://www.ag-energiebilanzen.de>
3. Hyrzyński R. i in., Współzmierność generacji energii elektrycznej w elektrowniach wiatrowych i fotowoltaicznych w warunkach zbliżonych do polskich, *Acta Energetica* 2013, nr 4 (17), s. 22–26.

4. Kiciński J., Żywica G., *Steam Microturbines in Distributed Cogeneration*, Gdańsk 2014 (eBook).
5. Kleiber M., Mądra Polska, Warszawa 2015.
6. Köning J.A., *Shakedown of Elasto-Plastic Structures*, Warszawa 1987.
7. Sawczuk A., Janas M., Köning J.A., *Analiza plastyczna konstrukcji*, Warszawa 1972.
8. Sławiński D., Badur J., A concept of elasto-plastic material adaptation by the thermal-FSI simulation, materiały konferencyjne PCM-CMM-2015-3rd Polish Congress of mechanics & 21st Computer Methods in Mechanics, 8–11 września 2015, Gdańsk.
9. Sławiński D., Rozruch maszyn energetycznych z uwzględnieniem sprężysto-plastycznej adaptacji konstrukcji, rozprawa doktorska IMP PAN, promotor prof. dr hab. inż. J. Badur, Gdańsk 2016.
10. Taler J. i in., Optimisation of the boiler start-up taking into account thermal stresses, 12th International Conference on Boiler Technology, Prace Naukowe IMiUE Pol. Śląskiej, Szczyrk 2014.
11. www.psew.pl
12. www.ge-alstom.com
13. Ziółkowski P. i in., Czyste technologie gazowe – szansą dla Pomorza, *Rynek Energii* 2013, nr 1 (1–4), s. 79–85.

Janusz Badur

prof. dr hab. inż.

Instytut Maszyn Przepływowych PAN

e-mail: Janusz.Badur@imp.gda.pl

Prof. dr hab. inż. Janusz Badur jest wieloletnim pracownikiem Instytutu Maszyn Przepływowych PAN w Gdańsku, twórcą Zakładu Konwersji Energii tego instytutu. Od wielu lat zajmuje się numeryczną termomechaniką, specjalizując się w modelowaniu przepływów podlegających mieszaniam, przemianom fazowym i reakcjom chemicznym w warunkach silnej turbulencji mechanicznej i cieplnej. Od dawna współpracuje z wieloma zagranicznymi krajowymi uczelniami technicznymi. Odbił staże naukowe w Ruhr-Universität Bochum, Université de Poitiers, University of Manchester, Universität Karlsruhe. Prof. J. Badur wykonał dla Alstom Power oraz elektrowni krajowych wiele opracowań dotyczących modernizacji i napraw turbin. Jest autorem i współautorem 155 publikacji i 12 prac monograficznych.

Daniel Sławiński

dr inż.

Instytut Maszyn Przepływowych PAN

e-mail: daniel.slawinski@imp.gda.pl

Ukończył studia magisterskie w specjalizacji energetyka, na Wydziale Oceanotechniki i Okrętownictwa Politechniki Gdańskiej w roku 2006. Praktykę zawodową odbywał w Alstom Power. Od ukończenia studiów pracuje w Instytucie Maszyn Przepływowych PAN w Gdańsku. W 2016 roku obronił pracę doktorską w dziedzinie mechaniki o specjalności termosprężystość. Zakres jego zainteresowań naukowych obejmuje zagadnienia mechaniki ośrodków ciągłych, termomechaniki zniszczenia oraz metod numerycznych CSD/CFD. W pracy naukowej najczęściej zajmuje się modelowaniem rozruchów i odstawień dużych bloków energetycznych.